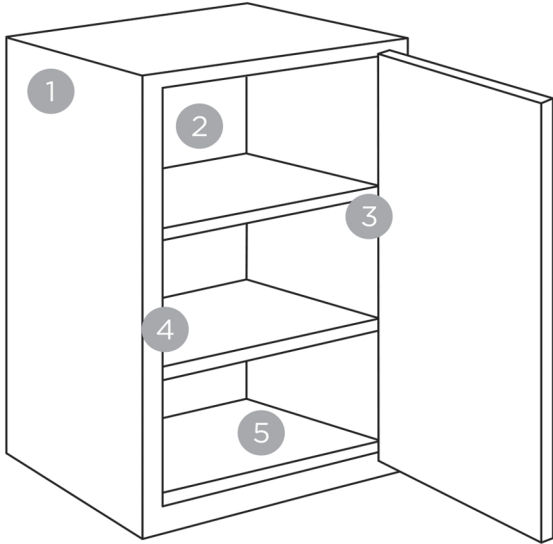
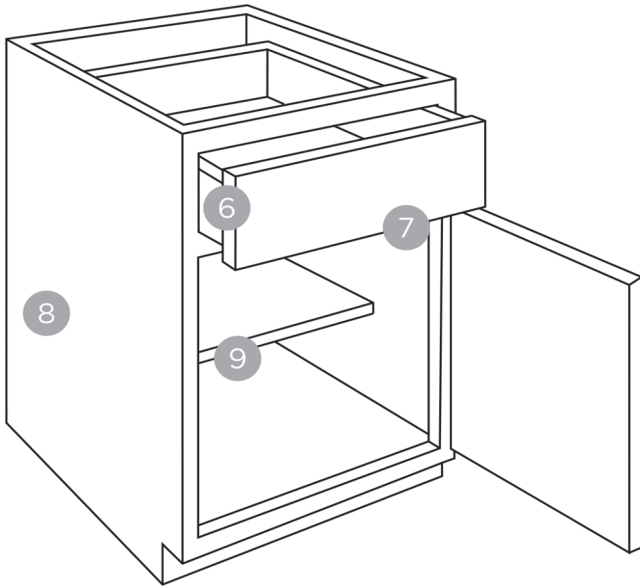


QUALITY ABOVE

We strive to deliver beyond your expectations. That's why popular features like all-plywood construction and soft-close come standard with every Essence Advantage cabinet.



- 1 1/2" Plywood ends
- 2 3/8" top, back, bottom and I-beams
- 3 Soft-closing, 6-way adjustable hinges
- 4 3/4" Hardwood frame, doors and drawer fronts
- 5 Natural interior



- 6 5/8" Solid wood dovetail drawer box
- 7 Soft-closing, under-mount, full-extension drawer guides
- 8 Matching exterior
- 9 3/4" Natural plywood adjustable shelves

ESSENCE **ADVANTAGE**

BY MASTERBRAND



Styles, product availability and construction may vary slightly from those shown due to material availability and/or design evolution. Specifications are subject to change without notice. Our customer service team is available if your design requires verification of product availability and specifications. Supersedes all prior versions.