



SEMI-CUSTOM  
**KITCHEN & BATH CABINETRY**  
PRODUCT SPECIFICATION GUIDE



METROPOLITAN  
S E R I E S



# METROPOLITAN SERIES SEMI-CUSTOM KITCHEN & BATH CABINETRY

## Limited Lifetime Warranty

Ideal Cabinetry® (warrantor) warrants to the original consumer purchaser, that all products manufactured or supplied by warrantor will be free from defects in material and workmanship. This warranty is for your lifetime as long as you own the cabinetry, on product used for Residential Purposes only and is not transferable to subsequent owners. Proof of Purchase is required.

This warranty does not cover damage resulting from normal wear, accident, misuse or lack of reasonable and necessary maintenance and service; nor does it warranty the improper installation or unauthorized repair, alteration, or modification or defects in the product when the product is installed. This warranty is limited to the repair or replacement of the defective part at the sole discretion of warrantor. Warranty is limited to All Wood Cabinetry Semi-Custom branded products excluding all electrical components: Excluded items may carry separate warranties as provided directly by the manufacturer of these products.

It is our option to provide repair parts or replace with functionally equivalent product. Return of product may be required for replacements. Such repair parts or replacement shall be at warrantor's expense, but customer shall bear all other expenses, including, but not limited to, cost of removal, transportation, re-installation, communication and any special service required by customer such as, overtime labor, etc.

Natural woods vary in color and grain pattern and exhibit color change over time. Cabinets may darken or lighten with age due to exposure to certain environmental conditions including but not limited to sunlight, moisture, household cleaners, smoke, etc. These variations are considered the natural characteristics of the material and are not covered under this warranty.

In the event of a warranted product performance issue, submit request including proof of purchase documentation, specific description of warranty issue (include photos where possible) in writing to:

Warranty Department  
210 Century Boulevard  
Bartow, FL 33830

EXCEPT TO THE EXTENT PROVIDED BY APPLICABLE LAW, ALL IMPLIED WARRANTIES, INCLUDING WARRANTIES OF MERCHANTABILITY AND FITNESS FOR A PARTICULAR PURPOSE, ARE LIMITED IN DURATION TO THE SHORTER OF THE PERIOD PROVIDED BY LAW OR THE PERIOD OF THIS WARRANTY, AND UNDER NO CIRCUMSTANCE SHALL IDEAL CABINETRY BE LIABLE FOR INCIDENTAL OR CONSEQUENTIAL DAMAGES SUSTAINED IN CONNECTION WITH THE PRODUCT. THE EXPRESS WARRANTY ABOVE CONSTITUTES THE ENTIRE WARRANTY AND IS IN LIEU OF ALL OTHERS EXPRESSED OR IMPLIED.

Some states do not allow the exclusion or limitation of incidental or consequential damages, or limitation on how long an implied warranty lasts, therefore, the above limitations or exclusions may not apply to you. This warranty gives you specific legal rights, and you may also have other rights, which vary from state to state.

### INDEMNITY

Ideal Cabinetry shall not be liable for either its failure to perform or its delays in performance hereunder arising out of or resulting from causes beyond its control, including but not limited to, acts of God, acts of Representation, acts of Government, wars, fires, floods, epidemics, quarantine, strike, freight embargoes, weather or default by suppliers due to any such causes.



# TABLE OF CONTENTS

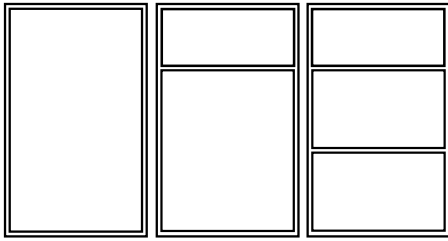


- Door Styles ..... 2
- Cabinet Construction ..... 3
- Customizing Options..... 4
- Style Tips.....6-8
- Wall Cabinets ..... 9-21
- Wall Cabinet Matching Skins & Cover Panels ..... 22-24
- Accent Cabinets ..... 25-27
- Base Cabinets ..... 28-35
- Base Cabinet Matching Skins & Cover Panels ..... 36
- Tall Cabinets ..... 37-44
- Tall Cabinet Matching Skins & Cover Panels ..... 45
- Vanity Cabinets..... 46-51
- Vanity Cabinet Matching Skins & Cover Panels ..... 52
- Accessories ..... 53-57
- Decorative Hardware..... 58-60
- Cabinet Frame & Opening Dimensions ..... 61-63
- Cabinet Front Only Availability Guide..... 64

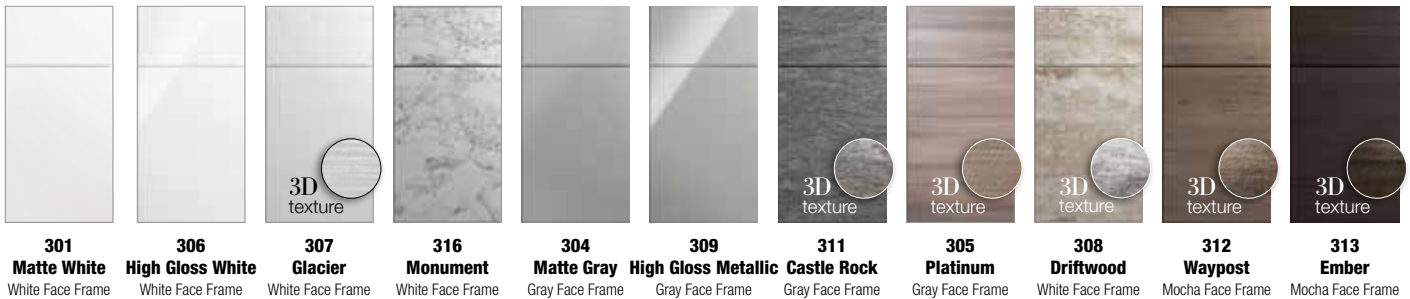
**PLEASE NOTE:** Line drawings are artistic representations of products for general dimensioning purposes. These should not be relied upon for accurate product appearance. Please consult the website or a designer if you have any questions or specific design requirements.

# Door Styles

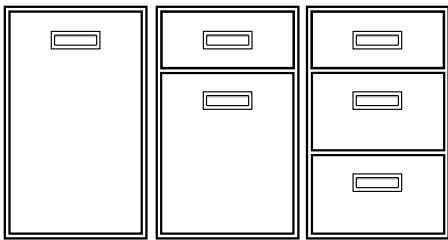
## Manhattan



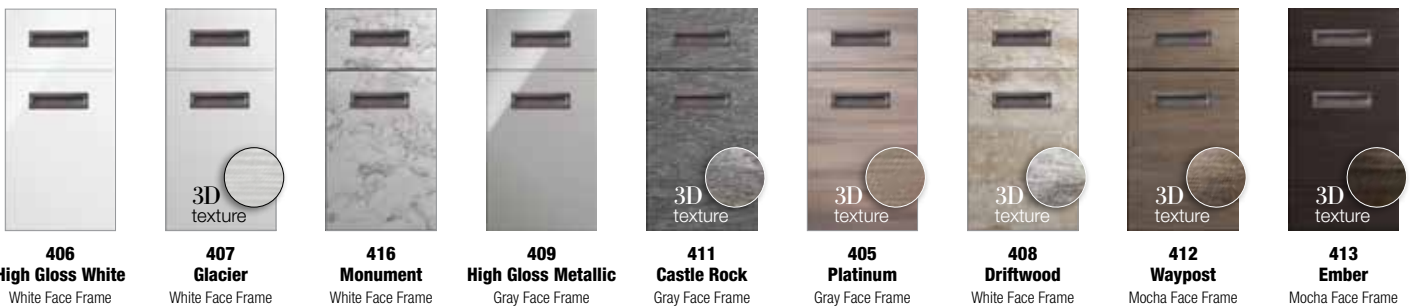
- 3/4" thick particleboard flat panel door and drawer fronts, with durable thermo-fused melamine finish
- Full Overlay door style, on a solid birch face frame
- Edges sealed with color-matched PVC edge banding
- Doors are mounted on one of three face frame colors: White, Gray or Mocha
- 6-way adjustable, soft-close concealed hinges
- Decorative hardware required



## Ontario



- 3/4" thick particleboard flat panel door and drawer fronts, with durable thermo-fused melamine finish
- Full Overlay door style includes integrated brushed nickel pulls, on a solid birch face frame
- Edges sealed with color-matched PVC edge banding
- Doors are mounted on one of three face frame colors: White, Gray or Mocha
- 6-way adjustable, soft-close concealed hinges



## FACE FRAMES AND DOOR FINISHES

Our modern Metro cabinetry has the European look with traditional craftsmanship. The streamlined doors will come on a semi-custom built box with a face frame in one of three complimentary colors. Below each door style you'll find which face frame colors correspond to that style.



White Face Frame

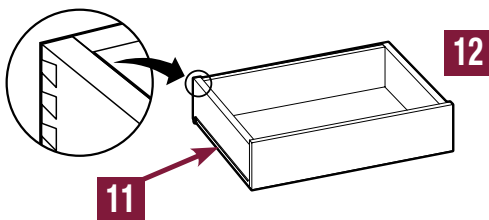
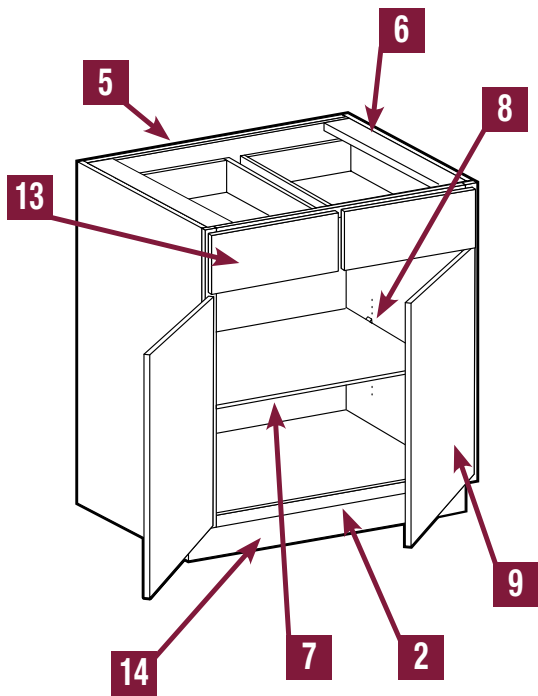
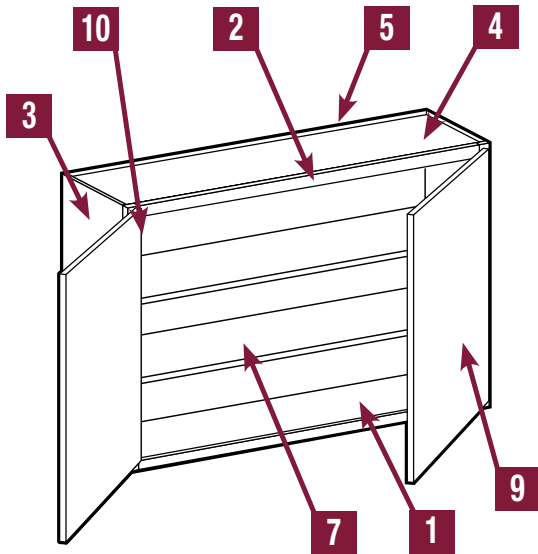


Gray Face Frame



Mocha Face Frame

# Standard Cabinet Construction



<b>1</b>	<b>INTERIOR</b>	Light stained birch wood veneer provides a durable, wipe clean finish
<b>2</b>	<b>FACE FRAME</b>	1½" wide x ¾" thick painted solid birch, doweled and joint-glued
<b>3</b>	<b>END PANELS</b>	½" thick CARB2 plywood with color matched exterior.*
<b>4</b>	<b>FLOOR &amp; CEILING</b>	½" thick CARB2 plywood with natural birch wood veneer both sides captured by end panels.
<b>5</b>	<b>BACK PANELS</b>	½" thick CARB2 plywood with natural birch wood veneer interior and raw veneer exterior. Only the clipped back panels on wall angle corner cabinets and easy reach base corners will be ¼" MDF.
<b>6</b>	<b>"I-BEAM" SUPPORTS</b>	½" thick CARB2 plywood, full depth braces provide stability and support for countertop attachment.
<b>7</b>	<b>ADJUSTABLE SHELVES</b>	¾" thick CARB2 plywood with natural birch wood veneer both sides with matching edgebanding. Base and wall adjustable shelves are full depth.
<b>8</b>	<b>SHELF SUPPORTS</b>	Clear, high strength plastic with locking top tab to prevent shelf tip. Provides easy shelf adjustment.
<b>9</b>	<b>DOORS</b>	Contemporary, full-overlay doors available in a durable melamine finish. See page 2 for details.
<b>10</b>	<b>HINGES</b>	Fully concealed, Soft Close 110° opening featuring multiple adjustments for ease of alignment. See page 4 for Soft Close adjustment.
<b>11</b>	<b>RUNNERS/GLIDES</b>	Drawers feature smooth ball bearing, full extension concealed runners with shock that engages when drawer is 1" from closing and applies resistance for soft closing. Interior roll out trays have epoxy coated, side mount suspension system with a smooth closing operation. Both withstand a 75 lb. load capacity.
<b>12</b>	<b>DRAWERS &amp; ROLL-OUT TRAYS</b>	5/8" thick solid birch hardwood, four-sided dovetail with ¼" thick captured MDF floor, all finished with clear top coat to coordinate with cabinet interior.
<b>13</b>	<b>DRAWER FRONTS</b>	Contemporary, full-overlay drawers available in a durable melamine finish. See page 2 for details.
<b>14</b>	<b>INTEGRAL TOE KICK</b>	½" thick plywood secured between end panels. Provides solid backing for installation of Toe Kick Filler Strip (TKFS8) or other materials such as ceramic, vinyl, etc.

\*Color matched to face frame.

# Customizing Options

## FINISHED ENDS OPTIONS



**1. Standard End Panels** are manufactured to color match the cabinet's face frame.\*



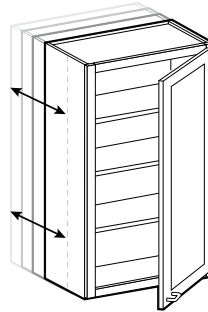
**2. Matching End Panels** are a 3/4" thick end panel and will match the door finish. Matching End Panels are designed to align flush with the face frame of the cabinet. Matching End Panels found on pages 24, 37, 46, 53. Base end panels and wall end panels must be ordered separately for field installation.



**3. Cover Panels** are a 3/4" thick end panel and will match the door finish. Cover Panels are 1" wider than Matching End Panels and align with the front of the door to create the look of an inset door. Cover Panels must be ordered separately for field installation. Found on Pages 24, 37, 46, 53.

## CUSTOM DEPTH

CABINET TYPE	CUSTOM DEPTH MIN-MAX
12" DEEP WALL	5" to 15"
24" DEEP WALL	16" to 23"
* STANDARD BASE	9" to 23"
BASE DRAWER	15" to 23"
TALL UTILITY/LINEN	9" to 23"



\* Base cabinets with drawers that are customized from 15" to 23" deep will include working drawers. 9" to 14" deep cabinets will have no drawer and a false drawer front.

- Available on standard cabinet types in 1" depth increments

\*Standard end panels will not match the doors.

## PREPPED FOR GLASS (PFG) CABINETS



PFG cabinets selected in the Ontario doorstyle with inset handle will come with a low profile handle as shown. (Handles must be installed on site)



**Wall Cabinet**



**Tall Cabinet**



**Tall Cabinet**

- All PFG cabinets in the Metropolitan Series will feature miter framed doors with a 'Satin Silver' thermo-foil finish
- PFG cabinet interiors will automatically be finished to match the face frame color, including adjustable shelves \*The interior of PFG cabinets will not match the Metro door finish.
- Frosted glass panels will be furnished cut to size and will ship separately, direct to the ship-to address, for field installation
- It is recommended that glass panels be installed with clear silicone.
- PFG Tall Pantry cabinets – only the upper doors will be prepped for glass
- Matching Interior shelves are only supplied for the upper portion of the cabinet, where the PFG doors are located
- Lower portion will have birch shelves and/or roll out trays
- Standard Base, Vanity Base, and lower doors on Tall cabinets are not available Prepped For Glass as a safety precaution

## NO DOOR (ND) CABINETS



**Wall Cabinet**



**Base Cabinet**



**Tall Cabinet**

- 'No Door' open cabinet interiors and shelves will be finished to match the face frame color \*The interior of ND cabinets will not match the Metro door finish.

## ACCENT CABINETS



- Accent cabinets are available in all laminate door finishes
- For high gloss and textured melamine, the glossy or textured finish will be on the inside faces of the accent cabinet
- Exteriors will be matching color with a smooth satin finish
- We recommend installing accent cabinets between two other cabinets

## Style Tips



Incorporating service shelves in the base cabinets or island help show accent colors / textures and creates a more modern look.



When it comes to the finished side of a cabinet, you have options! All of the cabinet sides are color matched to the face-frame and will not match the door, which works great for either side of the range/microwave or next to a dishwasher.

When you have a completely exposed side and want to take the design to the next level, you can add one of our two end panel options that are designed to match the doors.

The end panels add  $\frac{3}{4}$ " to the design anywhere they're placed, so it's important to communicate clearly with your customer. This will help to understand their wants and to set proper expectations on what they're getting.



When designing islands that need a bit more modern feel, use service shelves under the countertop. This is a good place for storing plates, utensils or extra items for the island.





To create a more open feel use a combination of open cabinets and cabinets with doors.



Make better use of your island and add extra storage to the kitchen by using the accent shelves. You can easily create a taller bar height space by stacking these cabinets onto base or wall cabinets.



Give the kitchen a true metropolitan look by using high line doors and all drawer bases, versus standard drawer and door cabinets. Also simply installing the hardware horizontally on all cabinets can complete the look!

## Style Tips

---



The use of minimal wall cabinets (streamlined bridge cabinets) and open shelves along with mixing and matching wood grains and solid color highlight our Metro door styles. This also helps to keep an open and airy feel to the kitchen



You can add accents to a long wall of tall cabinets by using solid color doors and grained or textured shelves

## WALL CABINET CODING

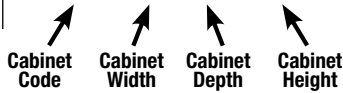
### STANDARD (12" DEEP)

**W 30 30**



### REFRIGERATOR (24" DEEP)

**W 36 24 18**



- Standard wall cabinets are 12" deep. Refrigerator wall cabinets are 24" deep.
- Cabinet depth does not include door thickness
- Standard cabinet exterior is color matched to face frame. End panels that match the door finish are optional.
- Soft close hinges

### 15" High Double Door

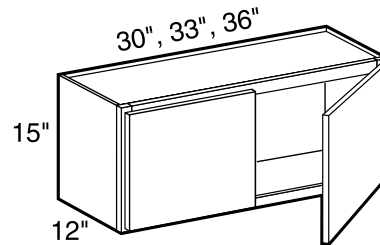


**CUSTOM DEPTH**

W3015

W3315

W3615



- No adjustable shelf
- CUSTOM DEPTH: 5" to 15" deep**

### 12" High Double Door

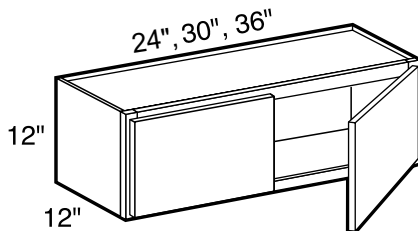


**CUSTOM DEPTH**

W2412

W3012

W3612



- No adjustable shelf
- CUSTOM DEPTH: 5" to 15" deep**

### 15" High x 24" Deep Double Door

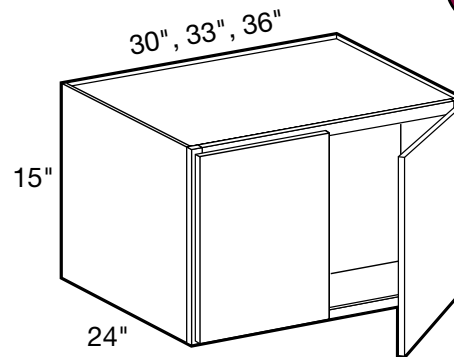


**CUSTOM DEPTH**

W302415

W332415

W362415



- No adjustable shelf
- Must be installed between two cabinets, cabinet and wall, or supported by TEP's or CPVT's.
- CUSTOM DEPTH: 16" to 23" deep**

### 12" High x 24" Deep Double Door

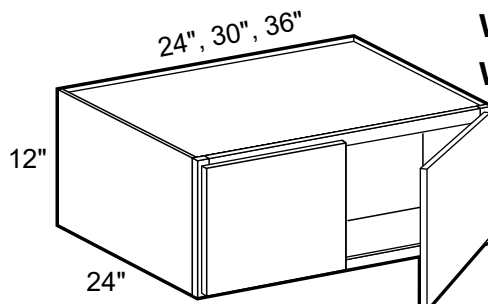


**CUSTOM DEPTH**

W242412

W302412

W362412



- No adjustable shelf
- Must be installed between two cabinets, cabinet and wall, or supported by TEP's or CPVT's.
- CUSTOM DEPTH: 16" to 23" deep**

### 18" High Double Door

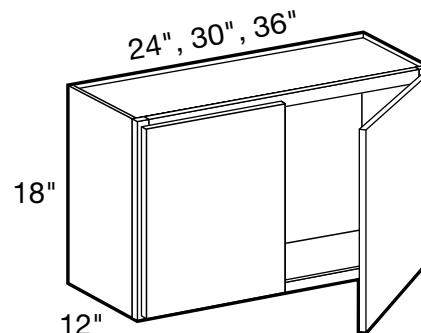


**CUSTOM DEPTH**

W2418

W3018

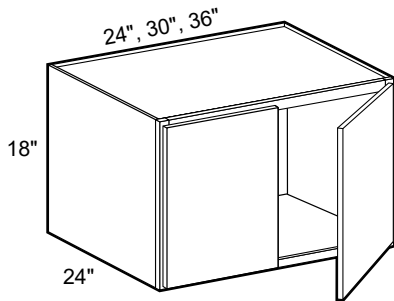
W3618



- No adjustable shelf
- CUSTOM DEPTH: 5" to 15" deep**

# Wall Cabinets

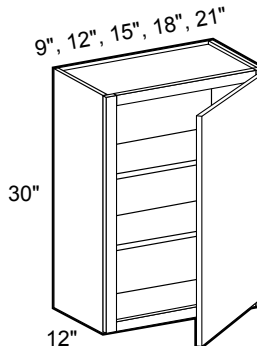
## 18" High x 24" Deep Double Door



**CUSTOM DEPTH**  
W242418  
W302418  
W362418

- No adjustable shelf
- Must be installed between two cabinets, cabinet and wall, or supported by refrigerator panels (RP)
- **CUSTOM DEPTH: 16" to 23" deep**

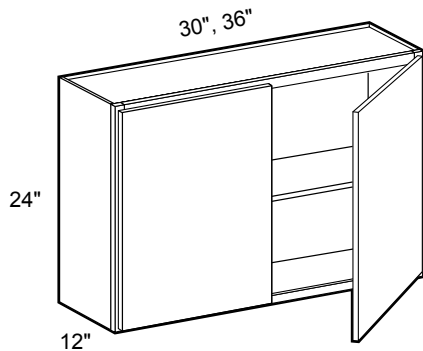
## 30" High Single Door



**CUSTOM DEPTH**  
**SPECIFY RIGHT or LEFT HINGED**  
W0930  
W1230  
W1530  
W1830  
W2130

- Two adjustable shelves
- **CUSTOM DEPTH: 5" to 15" deep**

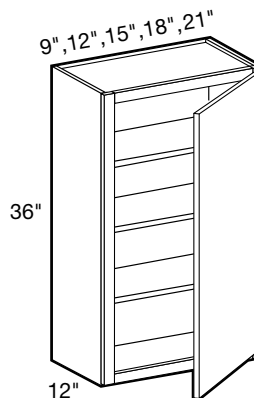
## 24" High Double Door



**CUSTOM DEPTH**  
W3024  
W3624

- One adjustable shelf
- **CUSTOM DEPTH: 5" to 15" deep**

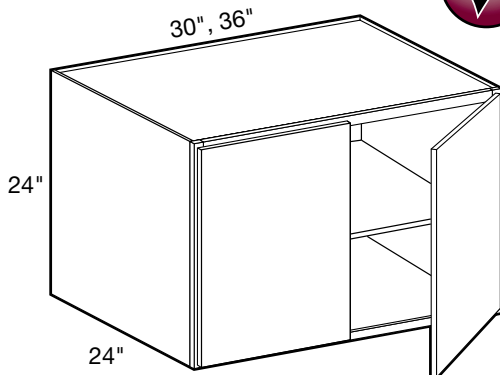
## 36" High Single Door



**CUSTOM DEPTH**  
**SPECIFY RIGHT or LEFT HINGED**  
W0936  
W1236  
W1536  
W1836  
W2136

- Three adjustable shelves
- **CUSTOM DEPTH: 5" to 15" deep**

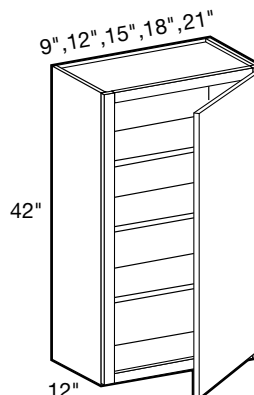
## 24" High x 24" Deep Double Door



**CUSTOM DEPTH**  
W302424  
W362424

- One adjustable shelf
- Must be installed between two cabinets, cabinet and wall, or supported by TEP's or CPVT's.
- **CUSTOM DEPTH: 16" to 23" deep**

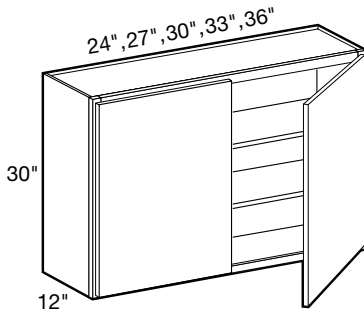
## 42" High Single Door



**CUSTOM DEPTH**  
**SPECIFY RIGHT or LEFT HINGED**  
W0942  
W1242  
W1542  
W1842  
W2142

- Three adjustable shelves
- **CUSTOM DEPTH: 5" to 15" deep**

## 30" High Double Door



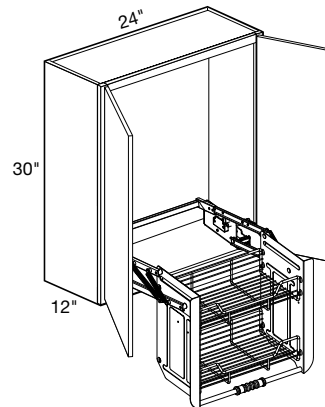
- Two adjustable shelves
- **CUSTOM DEPTH: 5" to 15" deep**



**CUSTOM DEPTH**

W2430  
W2730  
W3030  
W3330  
W3630

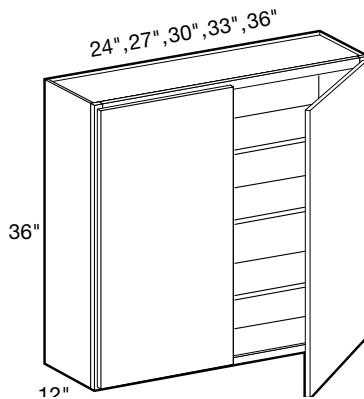
## 30" High Double Door with Pull Down Chrome Shelves



- **Field install at desired height in cabinet**
- Two tier chrome shelves lowers 10" and brings items forward 14 $\frac{3}{4}$ "
- Gas assisted mechanism smoothly raises and lowers unit
- Locking arm feature holds shelf in down position

**W2430-PDSCR**

## 36" High Double Door



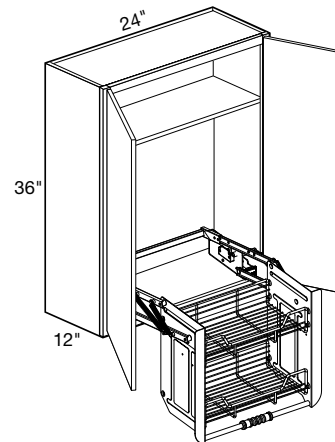
- Three adjustable shelves
- **CUSTOM DEPTH: 5" to 15" deep**



**CUSTOM DEPTH**

W2436  
W2736  
W3036  
W3336  
W3636

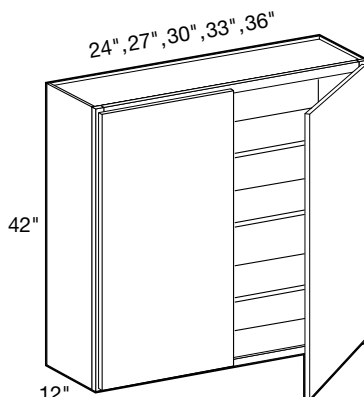
## 36" High Double Door with Pull Down Chrome Shelves



- **Field install at desired height in cabinet**
- Two tier chrome shelves lowers 10" and brings items forward 14 $\frac{3}{4}$ "
- Gas assisted mechanism smoothly raises and lowers unit
- Locking arm feature holds shelf in down position

**W2436-PDSCR**

## 42" High Double Door



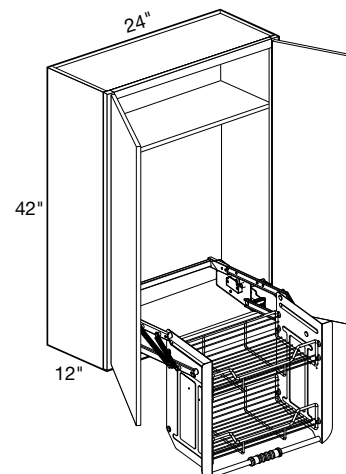
- Three adjustable shelves
- **CUSTOM DEPTH: 5" to 15" deep**



**CUSTOM DEPTH**

W2442  
W2742  
W3042  
W3342  
W3642

## 42" High Double Door with Pull Down Chrome Shelves



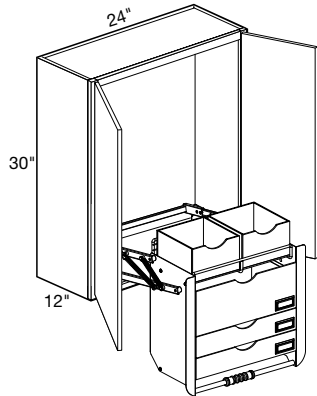
- **Field install at desired height in cabinet**
- Two tier chrome shelves lowers 10" and brings items forward 14 $\frac{3}{4}$ "
- Gas assisted mechanism smoothly raises and lowers unit
- Locking arm feature holds shelf in down position

**W2442-PDSCR**

# Wall Cabinets

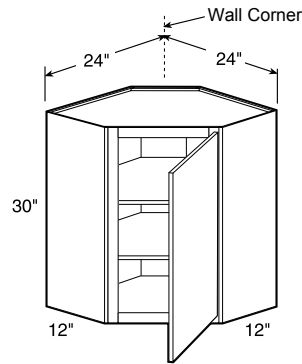
## 30" High Double Door with Pull Down Frosted Shelves

### W2430-PDSFR

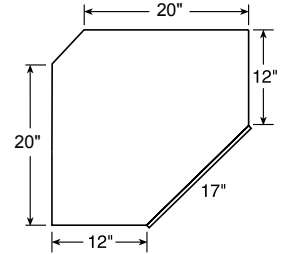


- Field install at desired height in cabinet
- Features 5 removable acrylic storage bins
- Lowers items 10" and brings forward 14<sup>3</sup>/<sub>4</sub>"
- Gas assisted mechanism smoothly raises and lowers unit

## 30" High Wall Angle



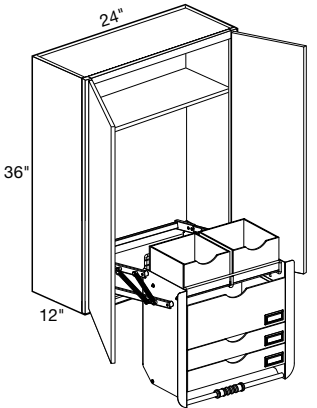
**SPECIFY  
RIGHT or LEFT HINGED  
WA2430**



- Two adjustable shelves
- Clip corner back provides clearance for installation

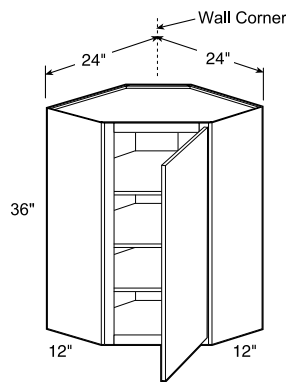
## 36" High Double Door with Pull Down Frosted Shelves

### W2436-PDSFR

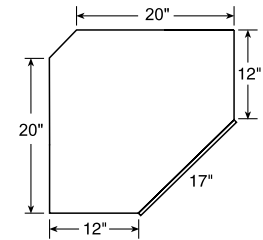


- Field install at desired height in cabinet
- Features 5 removable acrylic storage bins
- Lowers items 10" and brings forward 14<sup>3</sup>/<sub>4</sub>"
- Gas assisted mechanism smoothly raises and lowers unit

## 36" High Wall Angle



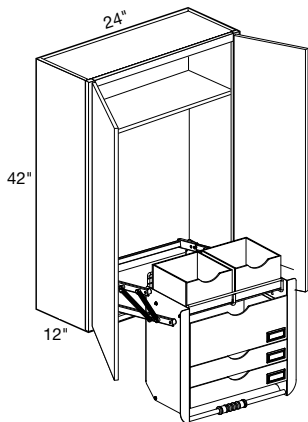
**SPECIFY  
RIGHT or LEFT HINGED  
WA2436**



- Three adjustable shelves
- Clip corner back provides clearance for installation

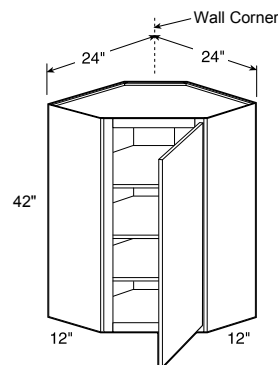
## 42" High Double Door with Pull Down Frosted Shelves

### W2442-PDSFR

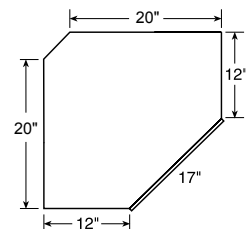


- Field install at desired height in cabinet
- Features 5 removable acrylic storage bins
- Lowers items 10" and brings forward 14<sup>3</sup>/<sub>4</sub>"
- Gas assisted mechanism smoothly raises and lowers unit

## 42" High Wall Angle

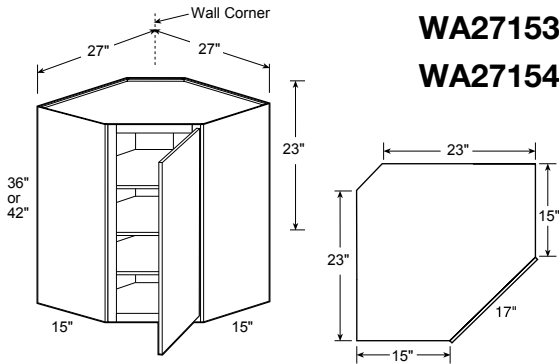


**SPECIFY  
RIGHT or LEFT HINGED  
WA2442**



- Three adjustable shelves
- Clip corner back provides clearance for installation

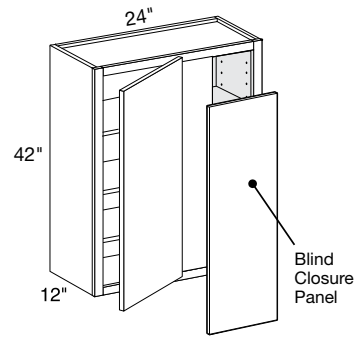
## 36" and 42" High x 15" Deep Wall Angle



**SPECIFY  
RIGHT or LEFT HINGED  
WA271536  
WA271542**

- Three adjustable shelves
- Clip corner back provides clearance for installation

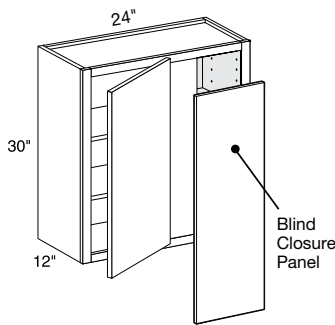
## 42" High Wall Blind Corner



**SPECIFY  
RIGHT or LEFT BLIND  
WBCU2742**

- Three adjustable shelves
- Indicate R or L for blind side (right shown)
- Cabinet can be pulled for exact fit (see installation guide)
- 3" filler, 3" & 6" overlay fillers, and 1/8" blind closure panel included
- **CUSTOM DEPTH: 5" to 15" deep**

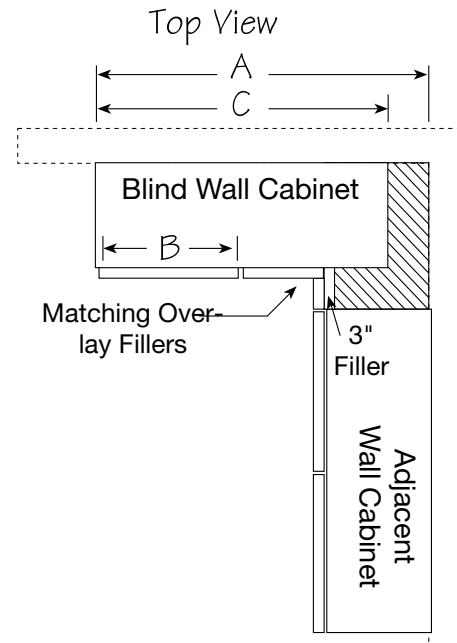
## 30" High Wall Blind Corner



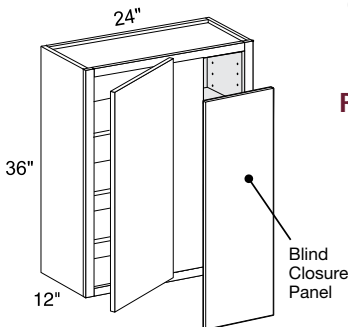
**SPECIFY  
RIGHT or LEFT BLIND  
WBCU2730**

- Two adjustable shelves
- Indicate R or L for blind side (right shown)
- Cabinet can be pulled for exact fit (see installation guide)
- 3" filler, 3" & 6" overlay fillers, and 1/8" blind closure panel included
- **CUSTOM DEPTH: 5" to 15" deep**

## Blind Corner Installation Guide



## 36" High Wall Blind Corner



**SPECIFY  
RIGHT or LEFT BLIND  
WBCU2736**

- Three adjustable shelves
- Indicate R or L for blind side (right shown)
- Cabinet can be pulled for exact fit (see installation guide)
- 3" filler, 3" & 6" overlay fillers, and 1/8" blind closure panel included
- **CUSTOM DEPTH: 5" to 15" deep**

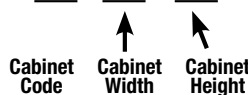
BLIND WALL INSTALLATION GUIDE			
Cabinet	Wall Space "A"	Frame Opening	Cabinet
	Min - Max	Width "B"	Width "C"
WBCU2730	25" - 30"	8 <sup>7</sup> / <sub>8</sub> "	24"
WBCU2736	25" - 30"	8 <sup>7</sup> / <sub>8</sub> "	24"
WBCU2742	25" - 30"	8 <sup>7</sup> / <sub>8</sub> "	24"

# Wall Cabinets with Glass Doors

## WALL CABINET CODING

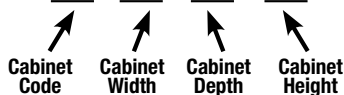
### STANDARD (12" DEEP)

**W 30 30**



### REFRIGERATOR (24" DEEP)

**W 36 24 18**



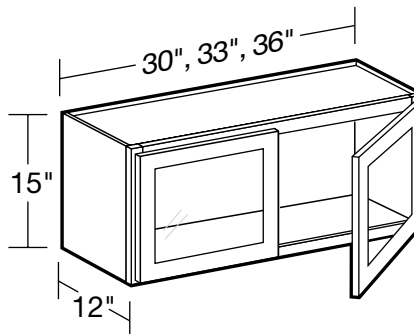
- Standard wall cabinets are 12" deep. Refrigerator wall cabinets are 24" deep.
- Cabinet depth does not include door thickness
- Standard cabinet exterior is color matched to face frame. End panels that match the door finish are optional.
- Frosted glass ships separate from cabinets
- Matching interiors are standard in prepped for glass (PFG) cabinets.
- Matching interiors will match the face frame, not the doors
- All glass doors will come as a mitered shaker frame in a silver satin wrapped MDF
- Soft close hinges

### 15" High Double Door



**CUSTOM DEPTH**

W3015PFG  
W3315PFG  
W3615PFG



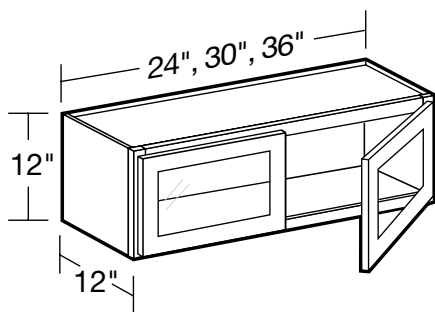
- No adjustable shelf
- CUSTOM DEPTH: 5" to 15" deep**

### 12" High Double Door



**CUSTOM DEPTH**

W2412PFG  
W3012PFG  
W3612PFG



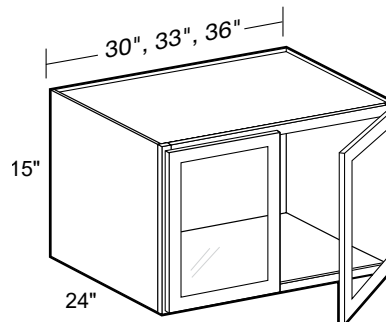
- No adjustable shelf
- CUSTOM DEPTH: 5" to 15" deep**

### 15" High x 24" Deep Double Door



**CUSTOM DEPTH**

W302415PFG  
W332415PFG  
W362415PFG



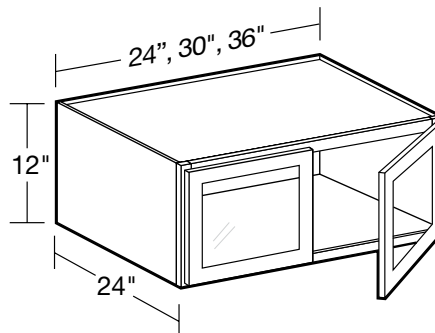
- No adjustable shelf
- Must be installed between two cabinets, cabinet and wall, or supported by refrigerator panels (RP)
- CUSTOM DEPTH: 16" to 23" deep**

### 12" High x 24" Deep Double Door



**CUSTOM DEPTH**

W242412PFG  
W302412PFG  
W362412PFG



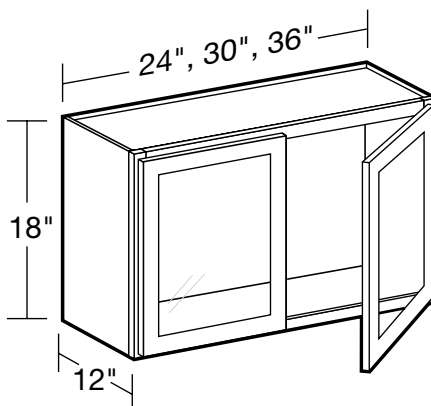
- No adjustable shelf
- Must be installed between two cabinets, cabinet and wall, or supported by refrigerator panels (RP)
- CUSTOM DEPTH: 16" to 23" deep**

### 18" High Double Door



**CUSTOM DEPTH**

W2418PFG  
W3018PFG  
W3618PFG

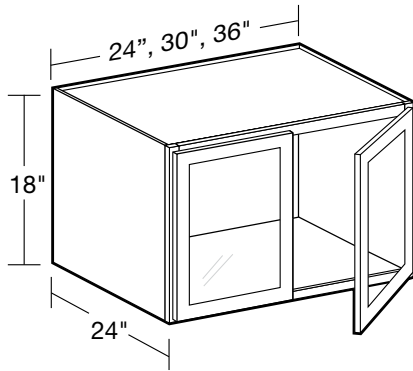


- No adjustable shelf
- CUSTOM DEPTH: 5" to 15" deep**



# Wall Cabinets with Glass Doors

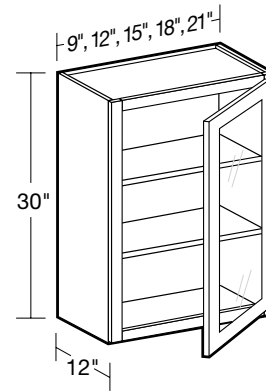
## 18" High x 24" Deep Double Door



**W242418PFG**  
**W302418PFG**  
**W362418PFG**

- No adjustable shelf
- Must be installed between two cabinets, cabinet and wall, or supported by refrigerator panels (RP)
- **CUSTOM DEPTH: 16" to 23" deep**

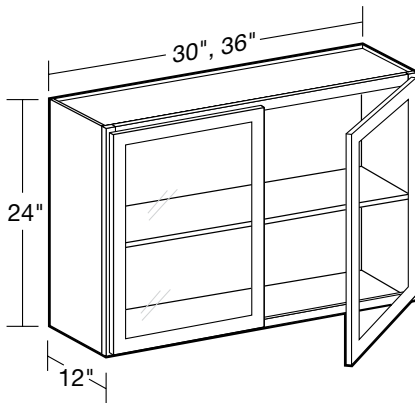
## 30" High Single Door



**SPECIFY**  
**RIGHT or LEFT HINGED**  
**W0930PFG**  
**W1230PFG**  
**W1530PFG**  
**W1830PFG**  
**W2130PFG**

- Two matching adjustable shelves
- **CUSTOM DEPTH: 5" to 15" deep**

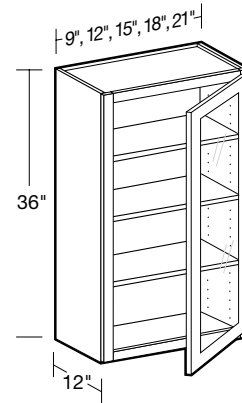
## 24" High Double Door



**W3024PFG**  
**W3624PFG**

- One matching adjustable shelf
- **CUSTOM DEPTH: 5" to 15" deep**

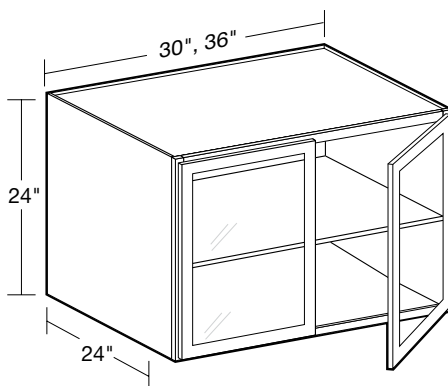
## 36" High Single Door



**SPECIFY**  
**RIGHT or LEFT HINGED**  
**W0936PFG**  
**W1236PFG**  
**W1536PFG**  
**W1836PFG**  
**W2136PFG**

- Three matching adjustable shelves
- **CUSTOM DEPTH: 5" to 15" deep**

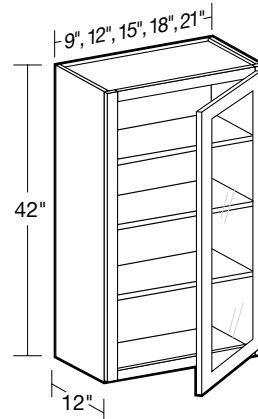
## 24" High x 24" Deep Double Door



**W302424PFG**  
**W362424PFG**

- One matching adjustable shelf
- Must be installed between two cabinets, cabinet and wall, or supported by refrigerator panels (RP)
- **CUSTOM DEPTH: 16" to 23" deep**

## 42" High Single Door

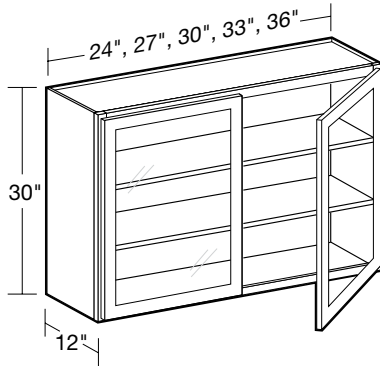


**SPECIFY**  
**RIGHT or LEFT HINGED**  
**W0942PFG**  
**W1242PFG**  
**W1542PFG**  
**W1842PFG**  
**W2142PFG**

- Three matching adjustable shelves
- **CUSTOM DEPTH: 5" to 15" deep**

# Wall Cabinets with Glass Doors

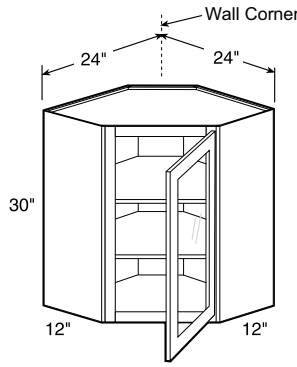
## 30" High Double Door



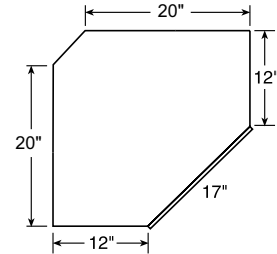
W2430PFG  
W2730PFG  
W3030PFG  
W3330PFG  
W3630PFG

- Two matching adjustable shelves
- **CUSTOM DEPTH: 5" to 15" deep**

## 30" High Wall Angle

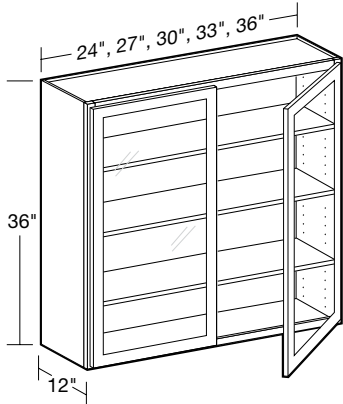


**SPECIFY  
RIGHT or LEFT HINGED  
WA2430PFG**



- Two matching adjustable shelves
- Clip corner back provides clearance for installation

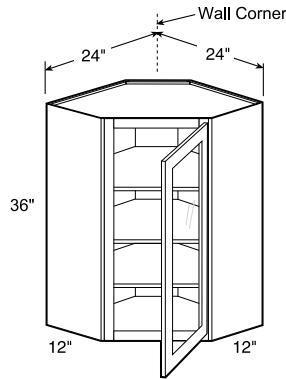
## 36" High Double Door



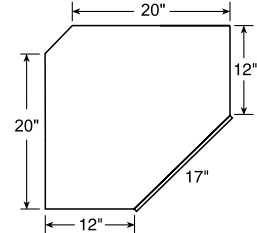
W2436PFG  
W2736PFG  
W3036PFG  
W3336PFG  
W3636PFG

- Three matching adjustable shelves
- **CUSTOM DEPTH: 5" to 15" deep**

## 36" High Wall Angle

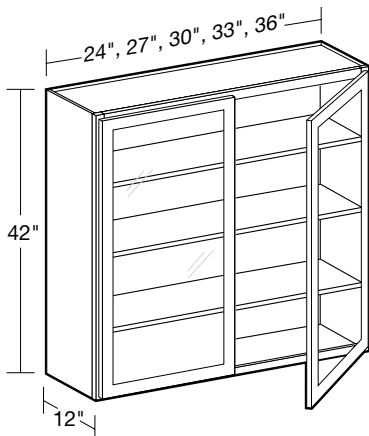


**SPECIFY  
RIGHT or LEFT HINGED  
WA2436PFG**



- Three matching adjustable shelves
- Clip corner back provides clearance for installation

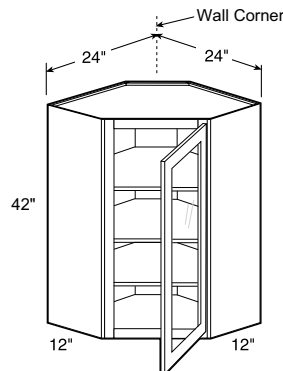
## 42" High Double Door



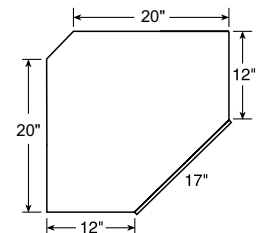
W2442PFG  
W2742PFG  
W3042PFG  
W3342PFG  
W3642PFG

- Three matching adjustable shelves
- **CUSTOM DEPTH: 5" to 15" deep**

## 42" High Wall Angle



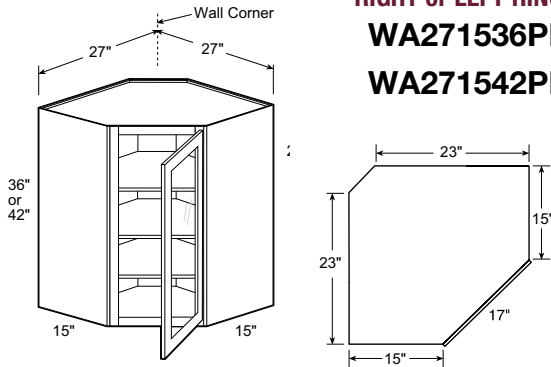
**SPECIFY  
RIGHT or LEFT HINGED  
WA2442PFG**



- Three matching adjustable shelves
- Clip corner back provides clearance for installation

# Wall Cabinets with Glass Doors

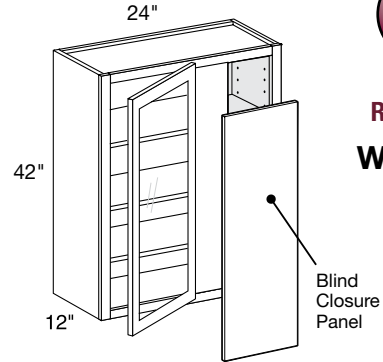
## 36" and 42" High x 15" Deep Wall Angle



**SPECIFY  
RIGHT or LEFT HINGED  
WA271536PFG  
WA271542PFG**

- Three matching adjustable shelves
- Clip corner back provides clearance for installation

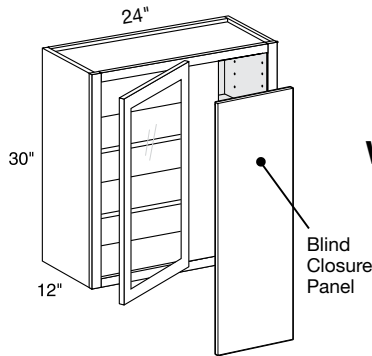
## 42" High Wall Blind Corner



**SPECIFY  
RIGHT or LEFT BLIND  
WBCU2742PFG**

- Three matching adjustable shelves
- Indicate R or L for blind side (right shown)
- Cabinet can be pulled for exact fit (see installation chart)
- 3" filler & 1/8" blind closure panel included
- **CUSTOM DEPTH: 5" to 15" deep**

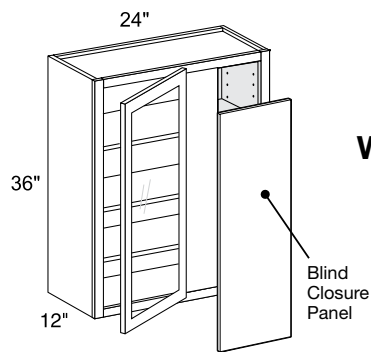
## 30" High Wall Blind Corner



**SPECIFY  
RIGHT or LEFT BLIND  
WBCU2730PFG**

- Two matching adjustable shelves
- Indicate R or L for blind side (right shown)
- Cabinet can be pulled for exact fit (see installation guide)
- 3" filler & 1/8" blind closure panel included
- **CUSTOM DEPTH: 5" to 15" deep**

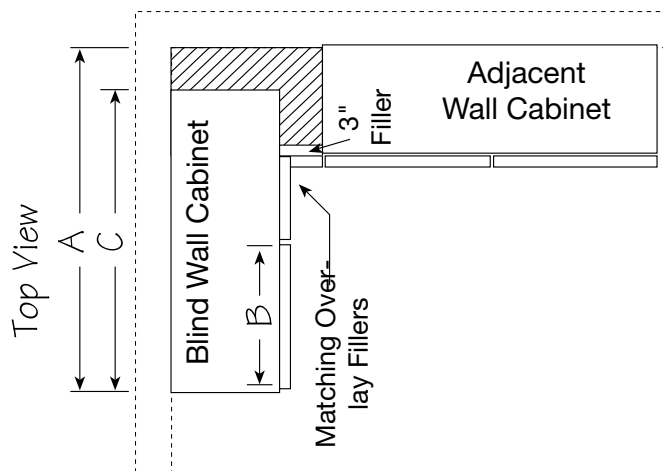
## 36" High Wall Blind Corner



**SPECIFY  
RIGHT or LEFT BLIND  
WBCU2736PFG**

- Three matching adjustable shelves
- Indicate R or L for blind side (right shown)
- Cabinet can be pulled for exact fit (see installation guide)
- 3" filler & 1/8" blind closure panel included
- **CUSTOM DEPTH: 5" to 15" deep**

## Blind Corner Installation Guide

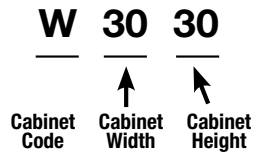


BLIND WALL INSTALLATION GUIDE			
Cabinet	Wall Space "A"	Frame Opening	Cabinet
	Min - Max	Width "B"	Width "C"
WBCU2730	25" - 30"	8 <sup>7</sup> / <sub>8</sub> "	24"
WBCU2736	25" - 30"	8 <sup>7</sup> / <sub>8</sub> "	24"
WBCU2742	25" - 30"	8 <sup>7</sup> / <sub>8</sub> "	24"

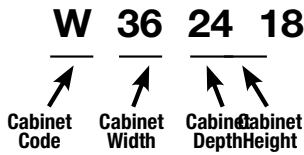
# Wall Cabinets with No Doors

## WALL CABINET CODING

### STANDARD (12" DEEP)



### REFRIGERATOR (24" DEEP)



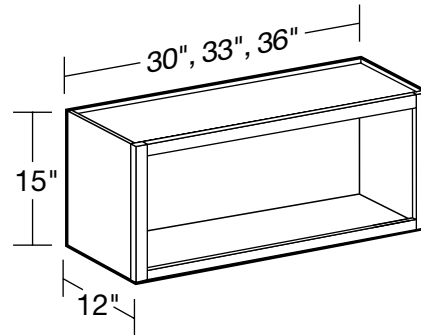
- Standard wall cabinets are 12" deep. Refrigerator wall cabinets are 24" deep.
- Standard cabinet exterior is color matched to face frame. End panels that match the door finish are optional.
- Available in (3) colors: painted white, painted gray and mocha (stained)

### 15" High No Door



**CUSTOM DEPTH**

W3015ND  
W3315ND  
W3615ND



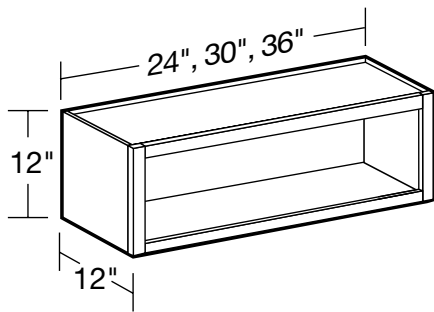
- No adjustable shelf
- CUSTOM DEPTH: 5" to 15" deep**

### 12" High No Door



**CUSTOM DEPTH**

W2412ND  
W3012ND  
W3612ND



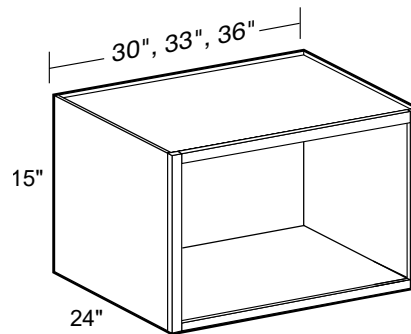
- No adjustable shelf
- CUSTOM DEPTH: 5" to 15" deep**

### 15" High x 24" Deep No Door



**CUSTOM DEPTH**

W302415ND  
W332415ND  
W362415ND



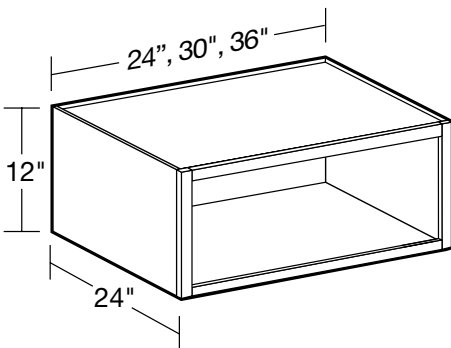
- No adjustable shelf
- Must be installed between two cabinets, cabinet and wall, or supported by refrigerator panels (RP)
- CUSTOM DEPTH: 16" to 23" deep**

### 12" High x 24" Deep No Door



**CUSTOM DEPTH**

W242412ND  
W302412ND  
W362412ND



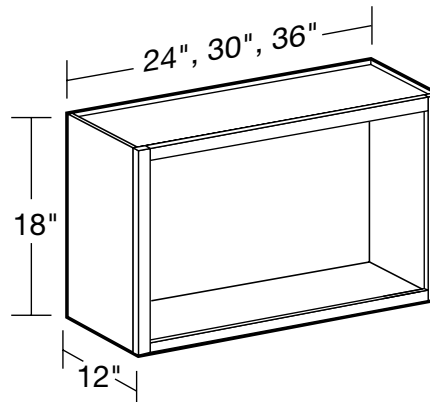
- No adjustable shelf
- Must be installed between two cabinets, cabinet and wall, or supported by refrigerator panels (RP)
- CUSTOM DEPTH: 16" to 23" deep**

### 18" High No Door



**CUSTOM DEPTH**

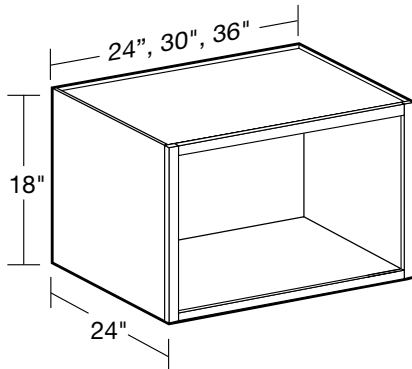
W2418ND  
W3018ND  
W3618ND



- No adjustable shelf
- CUSTOM DEPTH: 5" to 15" deep**

# Wall Cabinets with No Door

## 18" High x 24" Deep No Door

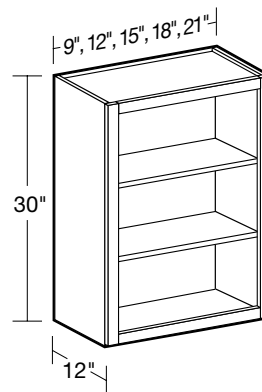


**CUSTOM DEPTH**

W242418ND  
W302418ND  
W362418ND

- No adjustable shelf
- Must be installed between two cabinets, cabinet and wall, or supported by refrigerator panels (RP)
- **CUSTOM DEPTH: 16" to 23" deep**

## 30" High No Door

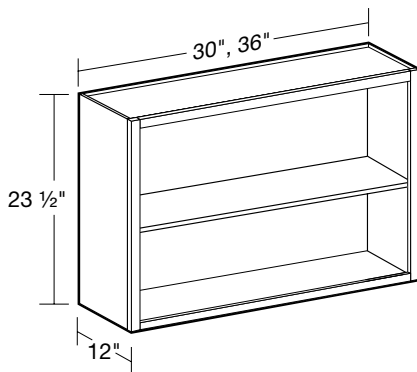


**CUSTOM DEPTH**

W0930ND  
W1230ND  
W1530ND  
W1830ND  
W2130ND

- Two adjustable shelves
- **CUSTOM DEPTH: 5" to 15" deep**

## 24" High No Door

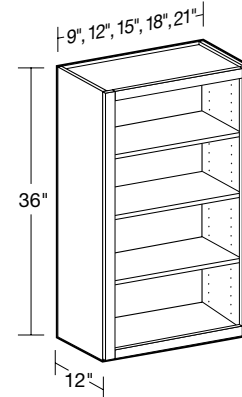


**CUSTOM DEPTH**

W3024ND  
W3624ND

- One adjustable shelf
- **CUSTOM DEPTH: 5" to 15" deep**

## 36" High No Door

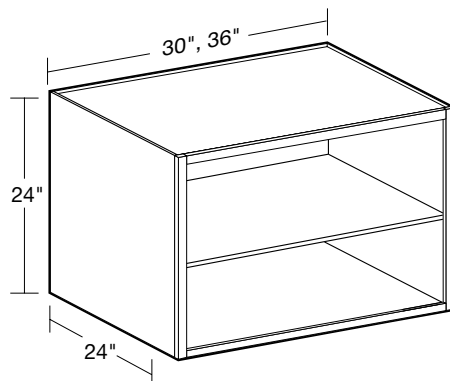


**CUSTOM DEPTH**

W0936ND  
W1236ND  
W1536ND  
W1836ND  
W2136ND

- Three adjustable shelves
- **CUSTOM DEPTH: 5" to 15" deep**

## 24" High x 24" Deep No Door

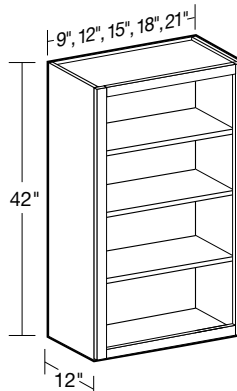


**CUSTOM DEPTH**

W302424ND  
W362424ND

- One adjustable shelf
- Must be installed between two cabinets, cabinet and wall, or supported by refrigerator panels (RP)
- **CUSTOM DEPTH: 16" to 23" deep**

## 42" High No Door



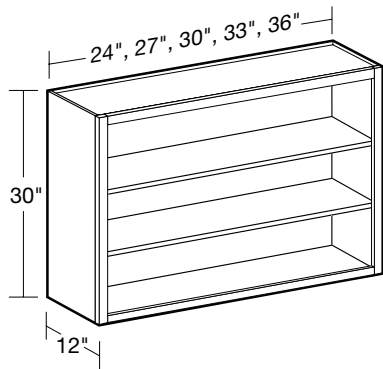
**CUSTOM DEPTH**

W0942ND  
W1242ND  
W1542ND  
W1842ND  
W2142ND

- Three adjustable shelves
- **CUSTOM DEPTH: 5" to 15" deep**

# Wall Cabinets with No Doors

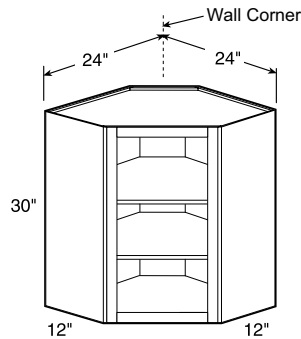
## 30" High No Door



**W2430ND**  
**W2730ND**  
**W3030ND**  
**W3330ND**  
**W3630ND**

- Two adjustable shelves
- **CUSTOM DEPTH: 5" to 15" deep**

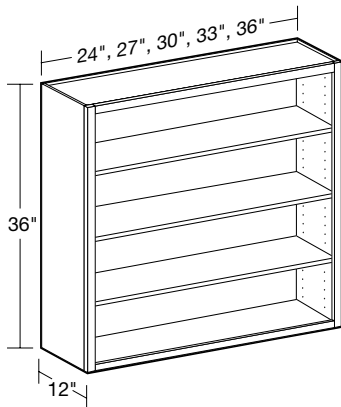
## 30" High Wall Angle



**WA2430ND**

- Two adjustable shelves
- Clip corner back provides clearance for installation

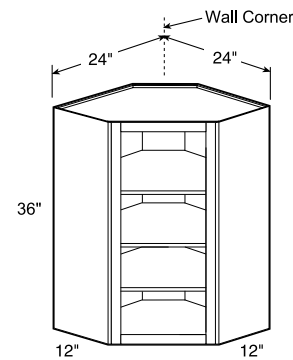
## 36" High No Door



**W2436ND**  
**W2736ND**  
**W3036ND**  
**W3336ND**  
**W3636ND**

- Three adjustable shelves
- **CUSTOM DEPTH: 5" to 15" deep**

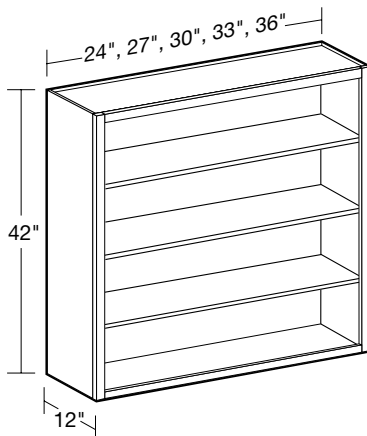
## 36" High Wall Angle



**WA2436ND**

- Three adjustable shelves
- Clip corner back provides clearance for installation

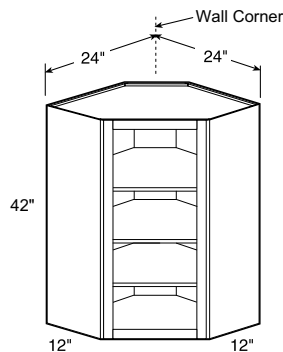
## 42" High No Door



**W2442ND**  
**W2742ND**  
**W3042ND**  
**W3342ND**  
**W3642ND**

- Three adjustable shelves
- **CUSTOM DEPTH: 5" to 15" deep**

## 42" High Wall Angle

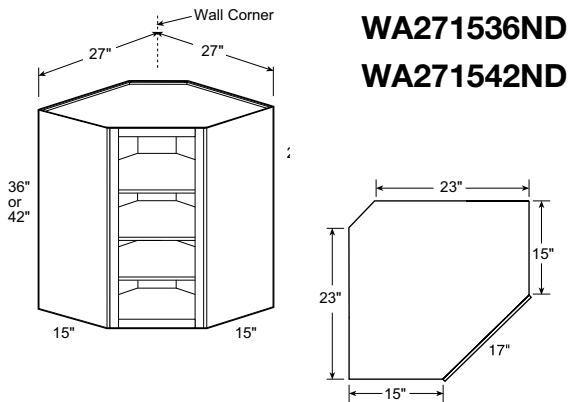


**WA2442ND**

- Three adjustable shelves
- Clip corner back provides clearance for installation

# Wall Cabinets with No Door

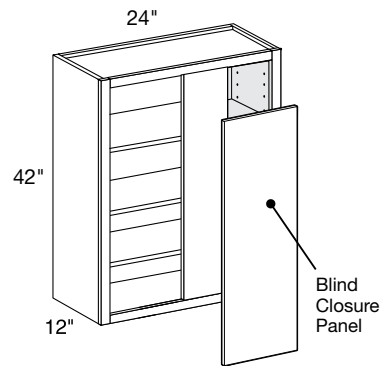
## 36" and 42" High x 15" Deep Wall Angle



**WA271536ND**  
**WA271542ND**

- Three adjustable shelves
- Clip corner back provides clearance for installation

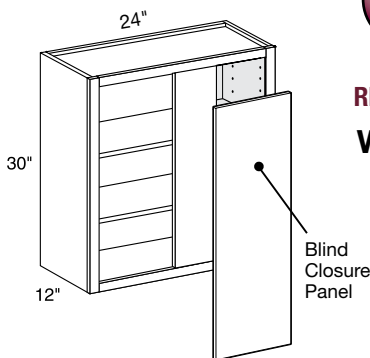
## 42" High Wall Blind Corner



**CUSTOM DEPTH**  
SPECIFY  
RIGHT or LEFT BLIND  
**WBCU2742ND**

- Three adjustable shelves
- Indicate R or L for blind side (right shown)
- Cabinet can be pulled for exact fit (see installation chart)
- 3" filler & 1/8" blind closure panel included
- **CUSTOM DEPTH: 5" to 15" deep**

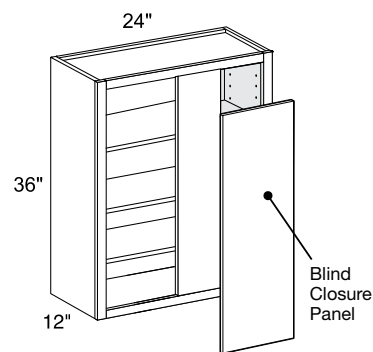
## 30" High Wall Blind Corner



**CUSTOM DEPTH**  
SPECIFY  
RIGHT or LEFT BLIND  
**WBCU2730ND**

- Two adjustable shelves
- Indicate R or L for blind side (right shown)
- Cabinet can be pulled for exact fit (see installation guide)
- 3" filler & 1/8" blind closure panel included
- **CUSTOM DEPTH: 5" to 15" deep**

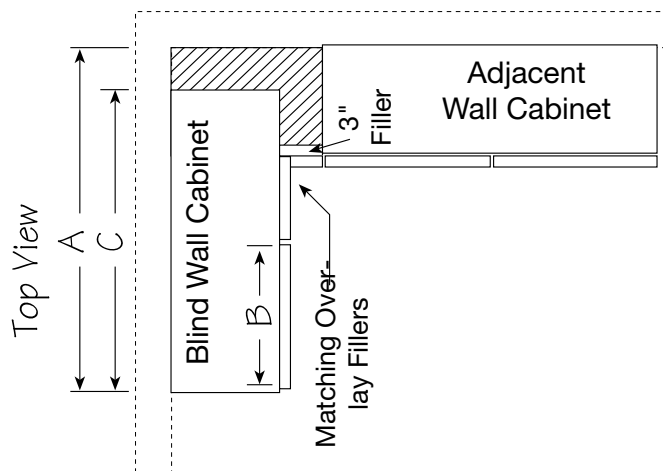
## 36" High Wall Blind Corner



**CUSTOM DEPTH**  
SPECIFY  
RIGHT or LEFT BLIND  
**WBCU2736ND**

- Three adjustable shelves
- Indicate R or L for blind side (right shown)
- Cabinet can be pulled for exact fit (see installation guide)
- 3" filler & 1/8" blind closure panel included
- **CUSTOM DEPTH: 5" to 15" deep**

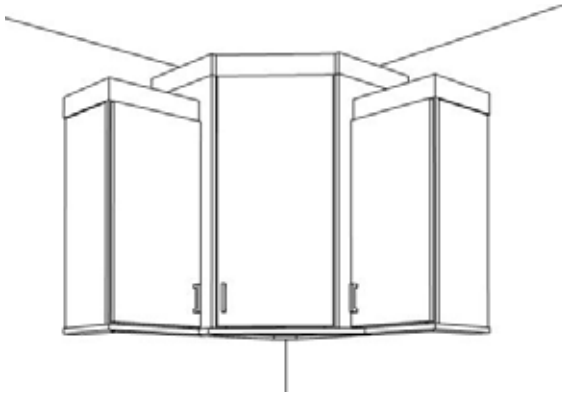
## Blind Corner Installation Guide



BLIND WALL INSTALLATION GUIDE			
Cabinet	Wall Space "A"	Frame Opening	Cabinet
	Min - Max	Width "B"	Width "C"
WBCU2730	25" - 30"	8 <sup>7</sup> / <sub>8</sub> "	24"
WBCU2736	25" - 30"	8 <sup>7</sup> / <sub>8</sub> "	24"
WBCU2742	25" - 30"	8 <sup>7</sup> / <sub>8</sub> "	24"

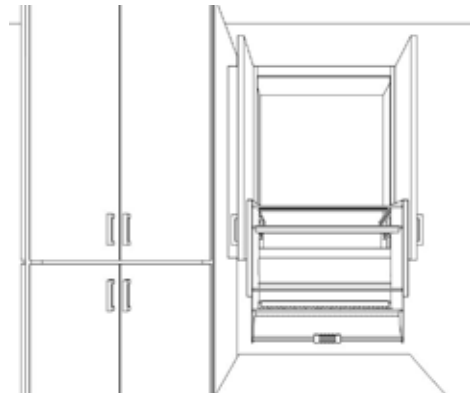
# Wall Cabinets Designer Tips

## Staggering Upper Cabinets



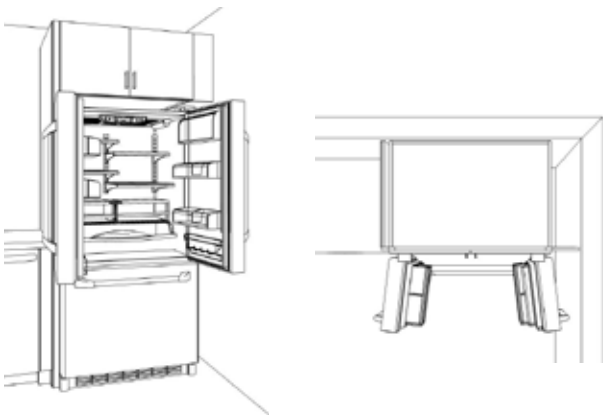
When using the 27" Deep corner cabinets, make sure to place a 3/4" filler next to adjacent cabinet if the adjacent cabinet is shallower. Also make sure to remember the finished skin for the deeper cabinet.

## Using the Wall Cabinet with accessories



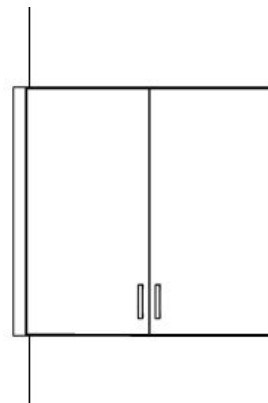
Make sure to allow proper clearance on each side so doors can open 90 degrees or more. This will allow the interior accessory to pull down correctly.

## Placing a refrigerator next to a return wall



Make sure to leave enough space between refrigerator and wall so doors will open on refrigerator at least 90 degrees

## Placing wall cabinets next to a return wall



When placing cabinets against a side wall, use a minimum of 3/4" filler between wall and cabinet to allow doors to open

## Designing with panels verses skins



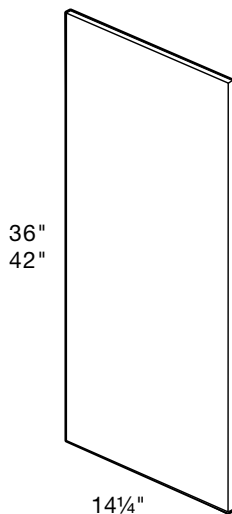
When designing with panels verses skins in the kitchen, you must allow for an extra 3/4" space for each panel. The panels will give the sides of the cabinets the same look/color as the cabinet doors and drawers. When using the panels in the upper run of cabinetry around a microwave or sink, you will also need to balance out the bottom with either panels or fillers so everything stays centered.



# Wall Skins and Matching End Panels

## 15" Wide Wall Skin

**WSK1542**

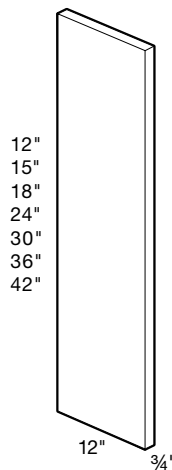


- 1/8" Thick
- Field modified and installed
- Can be modified for shallower depth and shorter wall cabinets
- Finish matches cabinetry face frame

**NOTE: Cannot be used in conjunction with Factory Finished Ends**

## 12" Wide Wall Matching End Panels

**WEP1212 WEP1224**  
**WEP1215 WEP1230**  
**WEP1218 WEP1236**  
**WEP1242**

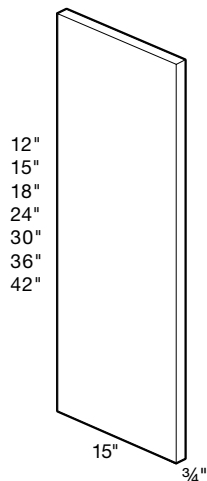


- 3/4" thick
- Durable 2 sided melamine fused to Furniture Grade particleboard
- Matching End Panels designed to match the finish of the doors
- Edgebanded on all 4 sides
- Field installed over factory installed skin
- Panel designed for Left or Right application and to align with front of cabinet face frame

**NOTE: Must be field modified if using with reduced depth cabinets**

## 15" Wide Wall Matching End Panels

**WEP1512 WEP1524**  
**WEP1515 WEP1530**  
**WEP1518 WEP1536**  
**WEP1542**

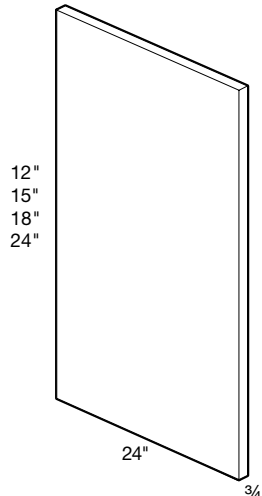


- 3/4" thick
- Durable 2 sided melamine fused to Furniture Grade particleboard
- Matching End Panels designed to match the finish of the doors
- Edgebanded on all 4 sides
- Field installed over factory installed skin
- Panel designed for Left or Right application and to align with front of cabinet face frame

**NOTE: Must be field modified if using with reduced depth cabinets**

## 24" Wide Wall Matching End Panels

**WEP2412 WEP2418**  
**WEP2415 WEP2424**

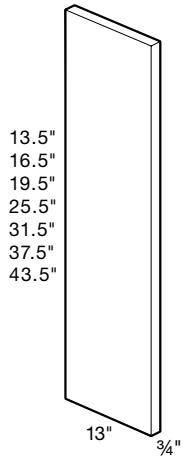


- 3/4" thick
- Durable 2 sided melamine fused to Furniture Grade particleboard
- Matching End Panels designed to match the finish of the doors
- Edgebanded on all 4 sides
- Field installed over factory installed skin
- Panel designed for Left or Right application and to align with front of cabinet face frame

**NOTE: Must be field modified if using with reduced depth cabinets**

# Wall Cover Panels

## 13" Wide Wall Cover Panels



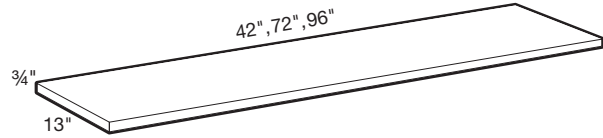
**CPVW13135 CPVW13255**  
**CPVW13165 CPVW13315**  
**CPVW13195 CPVW13375**  
**CPVW13435**

- 3/4" thick
- Durable 2 sided melamine fused to Furniture Grade particleboard
- Cover Panels designed to match the finish of the doors
- Edgebanded on all 4 sides
- Field installed over factory installed skin
- Panel designed for Left or Right application and to align with front of door face to create inset door appearance

**NOTE: Must be field modified if using with reduced depth cabinets**

## 13" Wide Horizontal Cover Panels

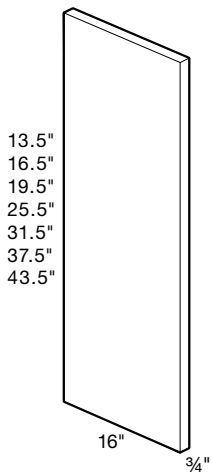
**CPH1342 CPH1372**  
**CPH1396**



- 3/4" thick
- Durable 2 sided melamine fused to Furniture Grade particleboard
- Cover Panels designed to match the finish of the doors
- Edgebanded on all 4 sides
- Field installed over factory installed skin
- Panel designed for above or below application and to align with front of door face to create inset door appearance

**NOTE: Must be field modified if using with reduced depth cabinets**

## 16" Wide Wall Cover Panels



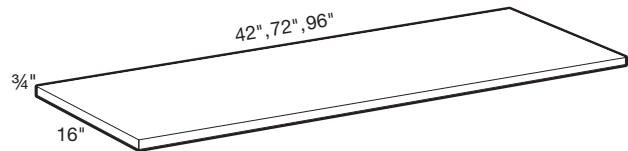
**CPVW16135 CPVW16255**  
**CPVW16165 CPVW16315**  
**CPVW16195 CPVW16375**  
**CPVW16435**

- 3/4" thick
- Durable 2 sided melamine fused to Furniture Grade particleboard
- Cover Panels designed to match the finish of the doors
- Edgebanded on all 4 sides
- Field installed over factory installed skin
- Panel designed for Left or Right application and to align with front of door face to create inset door appearance

**NOTE: Must be field modified if using with reduced depth cabinets**

## 16" Wide Horizontal Cover Panels

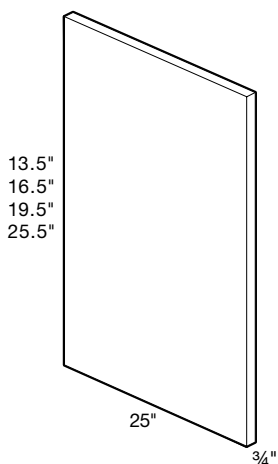
**CPH1642 CPH1672**  
**CPH1696**



- 3/4" thick
- Durable 2 sided melamine fused to Furniture Grade particleboard
- Cover Panels designed to match the finish of the doors
- Edgebanded on all 4 sides
- Field installed over factory installed skin
- Panel designed for above or below application and to align with front of door face to create inset door appearance

**NOTE: Must be field modified if using with reduced depth cabinets**

## 25" Wide Wall Cover Panels



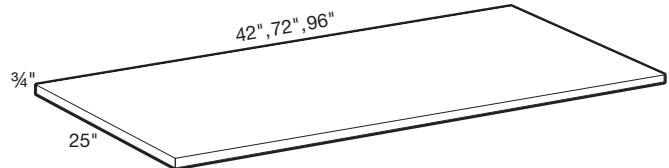
**CPVW25135 CPVW25195**  
**CPVW25165 CPVW25255**

- 3/4" thick
- Durable 2 sided melamine fused to Furniture Grade particleboard
- Cover Panels designed to match the finish of the doors
- Edgebanded on all 4 sides
- Field installed over factory installed skin
- Panel designed for Left or Right application and to align with front of door face to create inset door appearance

**NOTE: Must be field modified if using with reduced depth cabinets**

## 25" Wide Horizontal Cover Panels

**CPH2542 CPH2572**  
**CPH2596**

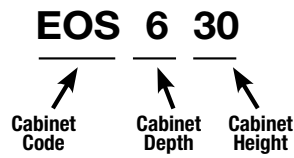
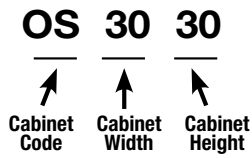


- 3/4" thick
- Durable 2 sided melamine fused to Furniture Grade particleboard
- Cover Panels designed to match the finish of the doors
- Edgebanded on all 4 sides
- Field installed over factory installed skin
- Panel designed for above or below application and to align with front of door face to create inset door appearance

**NOTE: Must be field modified if using with reduced depth cabinets**

## ACCENT CABINET CODING

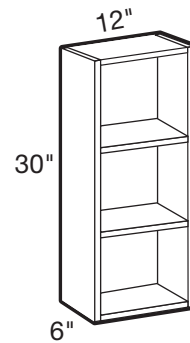
**STANDARD (12" DEEP) END OPEN SHELVES (6" DEEP)**  
**12" WIDE**



- Standard wall cabinets are 12" deep. End open shelf cabinets are 6" deep.
- Accent cabinets are available in all laminate door finishes.
- For high gloss and textured melamine, the glossy or textured finish will be on the inside faces of the accent cabinet. Exteriors will be matching color with a smooth satin finish.
- We recommend installing accent cabinets between two other cabinets.

### 30" High End Open Shelf

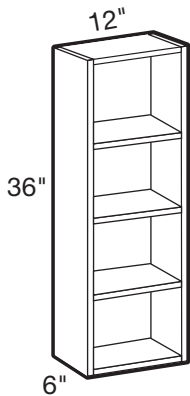
**EOS630**



- 3/4" Thick, durable 2 sided melamine finish fused to Furniture Grade particleboard
- 2 Adjustable shelves
- Full access, frameless construction

### 36" High End Open Shelf

**EOS636**



- 3/4" Thick, durable 2 sided melamine finish fused to Furniture Grade particleboard
- 3 Adjustable shelves
- Full access, frameless construction

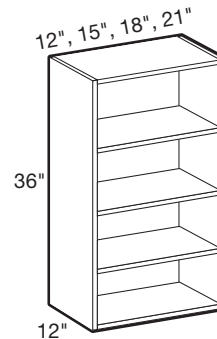
### 36" High Open Shelf

**OS1236**

**OS1536**

**OS1836**

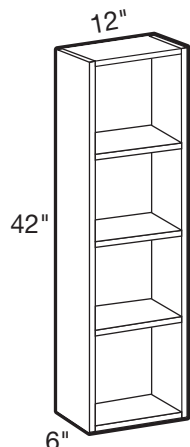
**OS2136**



- 3/4" Thick, durable 2 sided melamine finish fused to Furniture Grade particleboard
- 3 Adjustable shelves
- Full access, frameless construction

### 42" High End Open Shelf

**EOS642**



- 3/4" Thick, durable 2 sided melamine finish fused to Furniture Grade particleboard
- 3 Adjustable shelves
- Full access, frameless construction

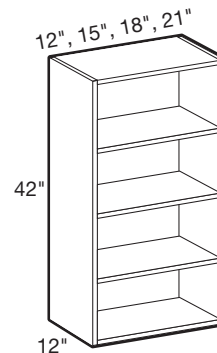
### 42" High Open Shelf

**OS1242**

**OS1542**

**OS1842**

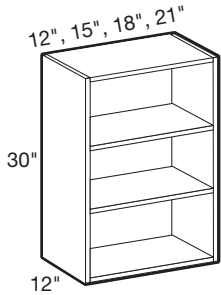
**OS2142**



- 3/4" Thick, durable 2 sided melamine finish fused to Furniture Grade particleboard
- 3 Adjustable shelves
- Full access, frameless construction

# Accent Cabinets

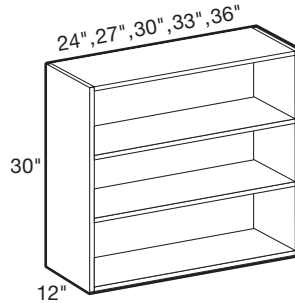
## 30" High Open Shelf



- OS1230**
- OS1530**
- OS1830**
- OS2130**

- 3/4" Thick, durable 2 sided melamine finish fused to Furniture Grade particleboard
- 2 Adjustable shelves
- Full access, frameless construction

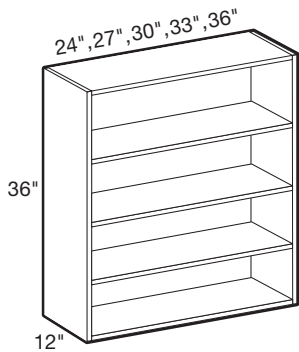
## 30" High Open Wide Shelf



- OS2430**
- OS2730**
- OS3030**
- OS3330**
- OS3630**

- 3/4" Thick, durable 2 sided melamine finish fused to Furniture Grade particleboard
- 2 Adjustable shelves
- Full access, frameless construction

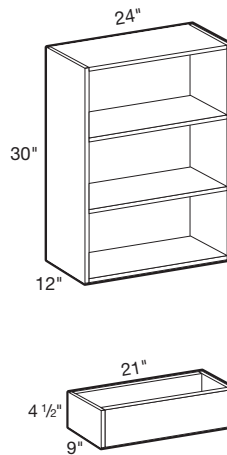
## 36" High Open Wide Shelf



- OS2436**
- OS2736**
- OS3036**
- OS3336**
- OS3636**

- 3/4" Thick, durable 2 sided melamine finish fused to Furniture Grade particleboard
- 3 Adjustable shelves
- Full access, frameless construction

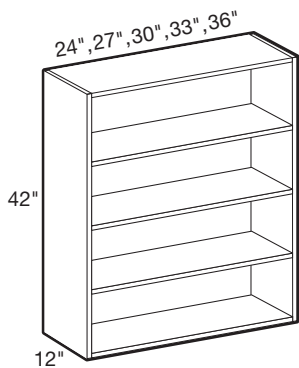
## 34.5" High End Open Shelf



**EOS12345**

- 3/4" Thick furniture board with 2 sided durable melamine laminate
- 3 Interior shelves, 2 adjustable
- Full access, frameless construction
- Includes separate 4.5" high Toe Kick Box

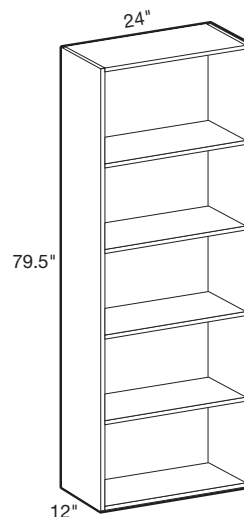
## 42" High Open Wide Shelf



- OS2442**
- OS2742**
- OS3042**
- OS3342**
- OS3642**

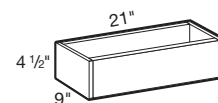
- 3/4" Thick, durable 2 sided melamine finish fused to Furniture Grade particleboard
- 3 Adjustable shelves
- Full access, frameless construction

## 84" High Tall Open Shelf

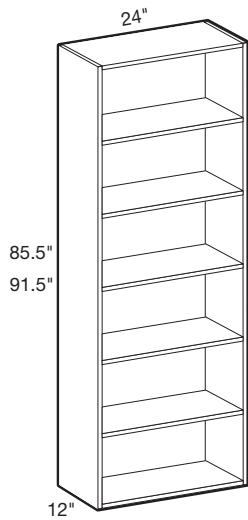


**OS2484**

- 3/4" Thick furniture board with 2 sided durable melamine laminate
- 5 Interior shelves, 4 adjustable
- Full access, frameless construction
- Includes separate 4.5" high Toe Kick Box



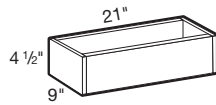
## Tall Open Shelf



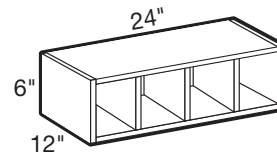
**OS2490**

**OS2496**

- 3/4" Thick furniture board with 2 sided durable melamine laminate
- 6 Interior shelves, 5 adjustable
- Full access, frameless construction
- Includes separate 4.5" high Toe Kick Box



## 12" Deep Wine Rows

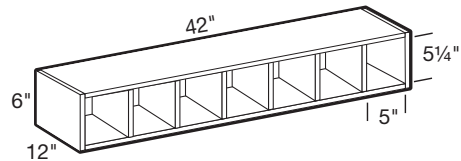
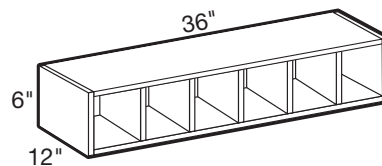
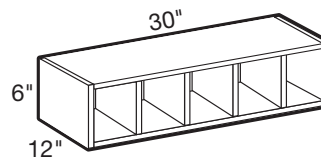


**WR2412**

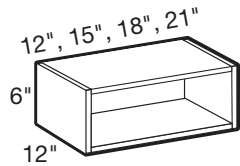
**WR3012**

**WR3612**

**WR4212**



## 12" Deep Service Shelves



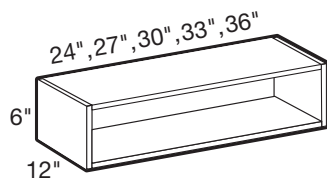
**SS1212** **SS2412**

**SS1512** **SS2712**

**SS1812** **SS3012**

**SS2112** **SS3312**

**SS3612**

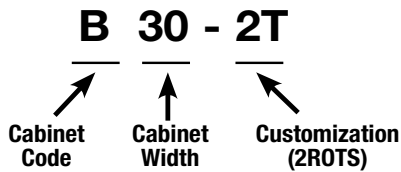


- 3/4" Thick furniture board with 2 sided durable melamine laminate
- Full access, frameless construction
- Recommended to be installed into Horizontal Cover Panel.

- Can be installed horizontally for vertically
- 3/4" Thick furniture board with 2 sided durable melamine laminate
- Full access, frameless construction
- Recommended to be installed into Horizontal Cover Panel for horizontal installations.

# Base Cabinets

## BASE CABINET CODING

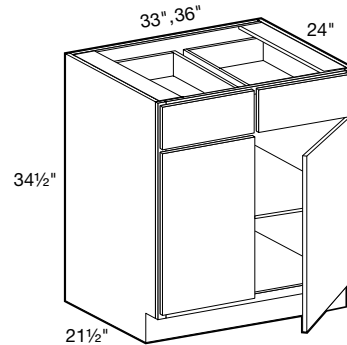


- Standard Base Cabinets are 24" deep and 34½" high
- Soft close hinges and full extension drawers with soft close
- Cabinet depth does not include door thickness
- Standard cabinet exterior is color matched to face frame. End panels that match the door finish are optional

### 24" Deep Double Door



**B33**  
**B36**



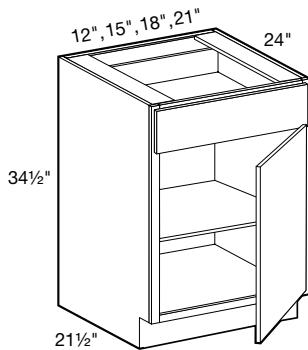
- One full-depth adjustable shelf
- **CUSTOM DEPTH: 9" to 23" deep (9" to 14" deep options have false front & no drawer)**

### 24" Deep Single Door



**SPECIFY RIGHT or LEFT HINGED**

**B12**  
**B15**  
**B18**  
**B21**

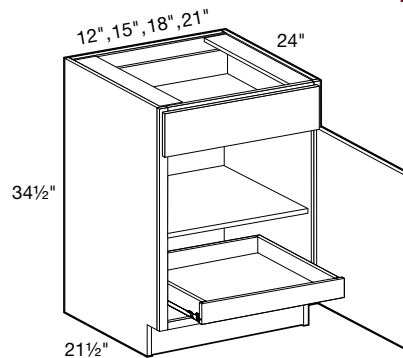


- One full-depth adjustable shelf
- **CUSTOM DEPTH: 9" to 23" deep (9" to 14" deep options have false front & no drawer)**

### 24" Deep Single Door with 1 Roll-Out Tray

**SPECIFY RIGHT or LEFT HINGED**

**B12-1T**  
**B15-1T**  
**B18-1T**  
**B21-1T**

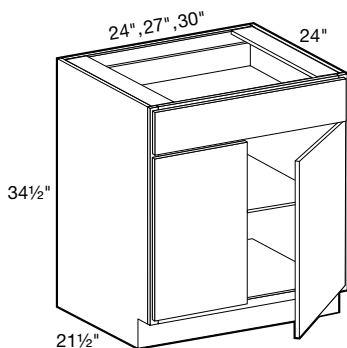


- One full-depth adjustable shelf
- One full width roll-out tray

### 24" Deep Double Door



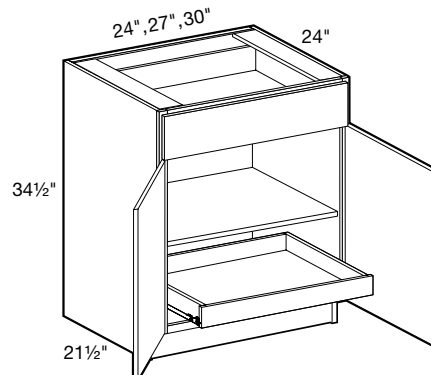
**B24**  
**B27**  
**B30**



- One full-depth adjustable shelf
- **CUSTOM DEPTH: 9" to 23" deep (9" to 14" deep options have false front & no drawer)**

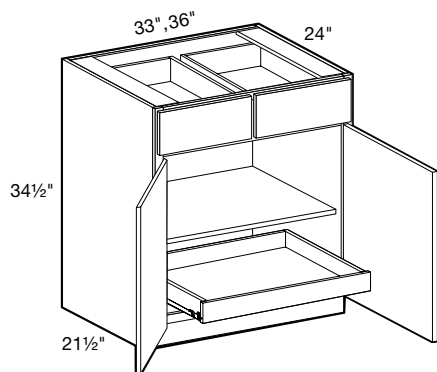
### 24" Deep Double Door with 1 Roll-Out Tray

**B24-1T**  
**B27-1T**  
**B30-1T**



- One full-depth adjustable shelf
- One full width roll-out tray

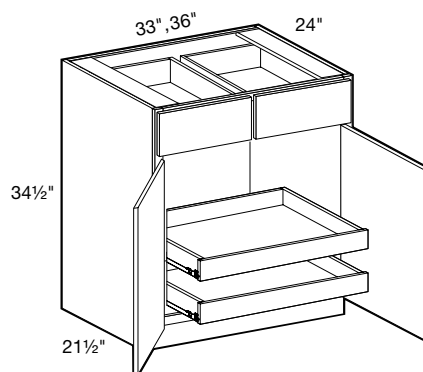
## 24" Deep Double Door with 1 Roll-Out Tray



**B33-1T**  
**B36-1T**

- One full-depth adjustable shelf
- One full width roll-out tray

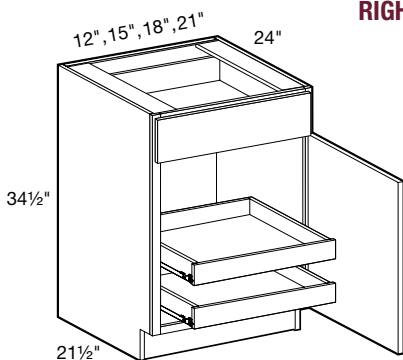
## 24" Deep Double Door with 2 Roll-Out Trays



**B33-2T**  
**B36-2T**

- Two full-depth roll-out trays

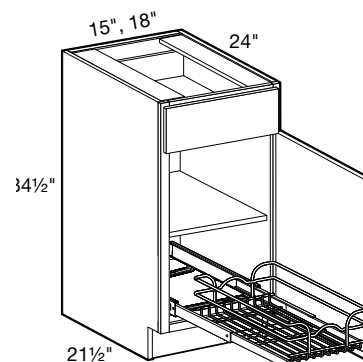
## 24" Deep Single Door with 2 Roll-Out Trays



**SPECIFY**  
**RIGHT or LEFT HINGED**  
**B12-2T**  
**B15-2T**  
**B18-2T**  
**B21-2T**

- Two full width roll-out trays

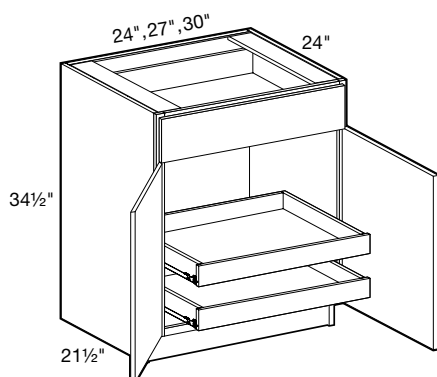
## 24" Deep Single Door with 1 Chrome Roll-Out Tray



**SPECIFY**  
**RIGHT or LEFT HINGED**  
**B15-1WT**  
**B18-1WT**

- **FIELD INSTALLED**
- One full width chrome wire roll-out tray
- Features Full-Extension runners

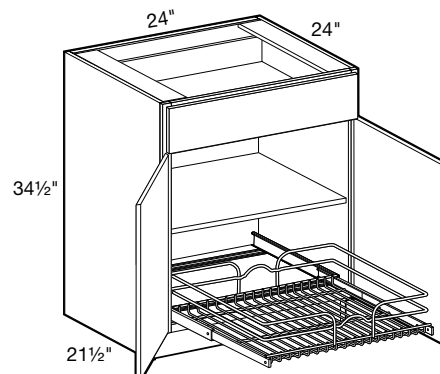
## 24" Deep Double Door with 2 Roll-Out Trays



**B24-2T**  
**B27-2T**  
**B30-2T**

- Two full width roll-out trays

## 24" Deep Double Door with 1 Chrome Roll-Out Tray

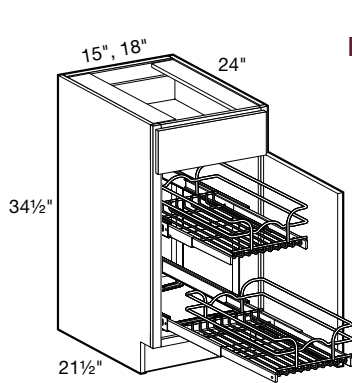


**B24-1WT**

- **FIELD INSTALLED**
- One full width chrome wire roll-out tray
- Features Full-Extension runners

# Base Cabinets

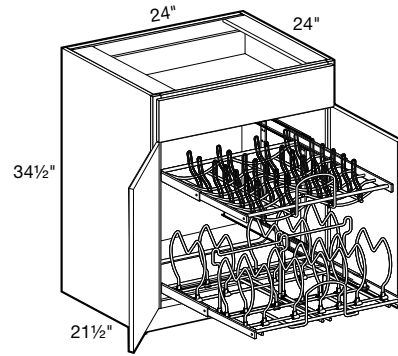
## 24" Deep Single Door with 2 Chrome Roll-Out Trays



**SPECIFY  
RIGHT or LEFT HINGED**  
**B15-2WT**  
**B18-2WT**

- **FIELD INSTALLED**
- Two full width chrome wire roll-out trays
- Features Full-Extension runners

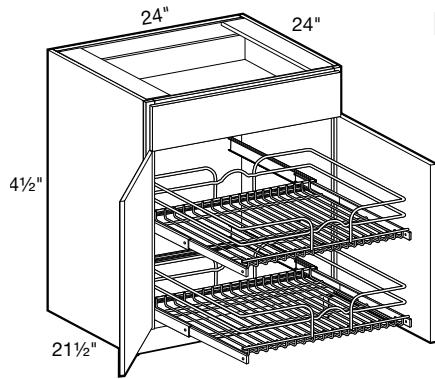
## 24" Deep Double Door with 2-Tier Cookware Organizer



**B24-CWO**

- **FIELD INSTALLED**
- Two chrome wire tiers operate independently
- Adjustable dividers accommodate different size cookware

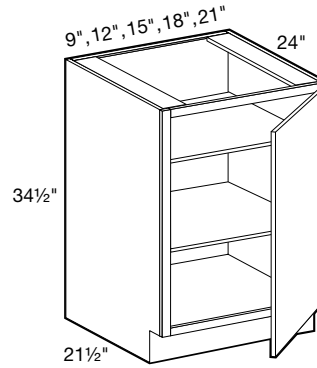
## 24" Deep Double Door with 2 Chrome Roll-Out Trays



**B24-2WT**

- **FIELD INSTALLED**
- Two full width chrome wire roll-out trays
- Features Full-Extension runners

## 24" Deep Single Full Height Door

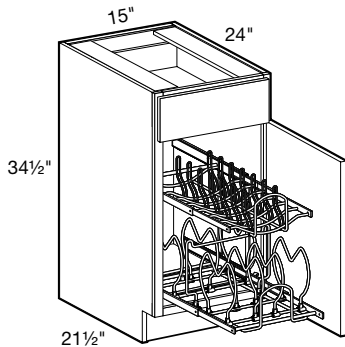


**SPECIFY  
RIGHT or LEFT HINGED**

**B09FH**  
**B12FH**  
**B15FH**  
**B18FH**  
**B21FH**

- Two full-depth adjustable shelves
- **CUSTOM DEPTH: 9" to 23" deep**

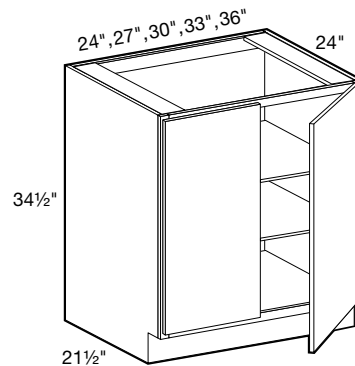
## 24" Deep Single Door with 2-Tier Cookware Organizer



**SPECIFY  
RIGHT or LEFT HINGED**  
**B15-CWO**

- **FIELD INSTALLED**
- Two chrome wire tiers operate independently
- Adjustable dividers accommodate different size cookware

## 24" Deep Double Full Height Door



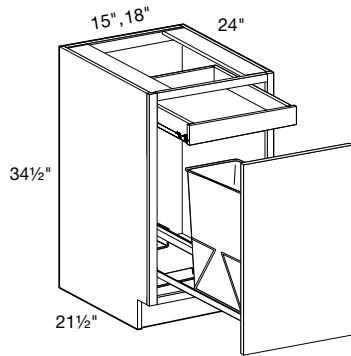
**B24FH**  
**B27FH**  
**B30FH**  
**B33FH**  
**B36FH**

- Two full-depth adjustable shelves
- **CUSTOM DEPTH: 9" to 23" deep**



## 24" Deep Base Single Wastebasket

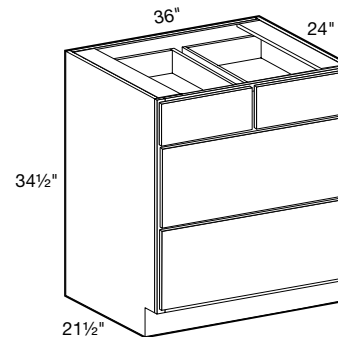
**B1WB15**  
**B1WB18**



- Basket slides on heavy duty, full extension runners
- 35 quart capacity plastic basket is secured by epoxy coated white wire "cage"
- White basket is removable
- Basket dimensions: 14"W x 10"D x 18"H
- Top mount roll-out tray for trash bag storage

- **SOFT CLOSE DOOR (SCD) OPTION NOT AVAILABLE**

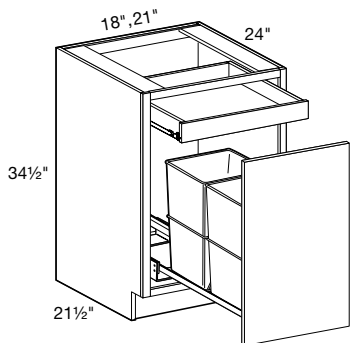
## 24" Deep Base - 4 Drawers



- Two standard top drawers
- Two deep drawers
- **CUSTOM DEPTH: 15" to 23" deep**

## 24" Deep Base Double Wastebasket

**B2WB18**  
**B2WB21**

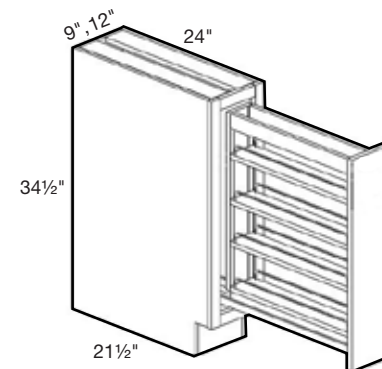


- Baskets slide on heavy duty, full extension runners
- 27 quart capacity plastic baskets (2) are secured by epoxy coated white wire "cage"
- White baskets are removable
- Basket dimensions: 11"W x 11"D x 18"H
- Top mount roll-out tray for trash bag storage

- **SOFT CLOSE DOOR (SCD) OPTION NOT AVAILABLE**

## 24" Deep Base Pantry Pullout

**BPPO9**  
**BPPO12**

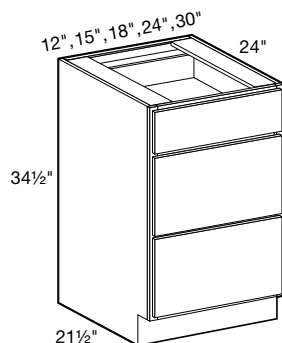


- Available in 9" & 12" width cabinets
- Full extension ball bearing slides provide stable, smooth pullout function
- Adjustable shelves with chrome rails

## 24" Deep Base - 3 Drawers



**BD12\***  
**BD15**  
**BD18**  
**BD24**  
**BD30**



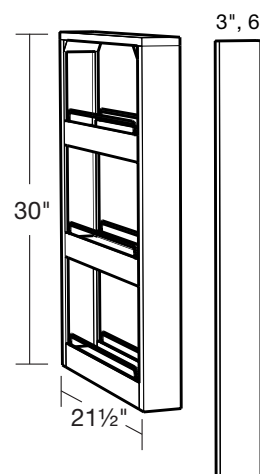
- One standard top drawer
- Two deep drawers

- **CUSTOM DEPTH: 15" to 23" deep**

\* Maximum drawer handle width for lower drawers is 4" wide for raised panel styles, 5 1/2" wide for recessed panel styles.

## 24" Deep Filler Pantry Pullout

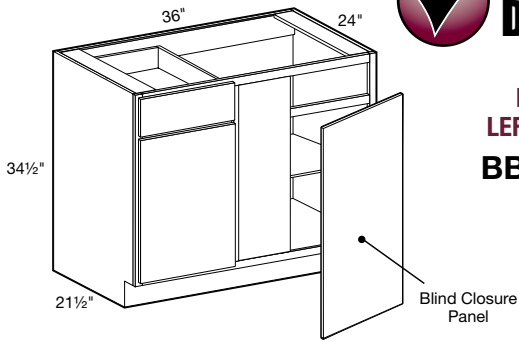
**BFPO3**  
**BFPO6**



- Available in 3" & 6" widths with matching Filler Strip
- Full extension ball bearing slides provide stable, smooth pullout function
- Adjustable shelves with chrome rails
- Pull-out unit must be installed between two cabinets
- Filler strip attached to pull-out unit after installation

# Base Cabinets

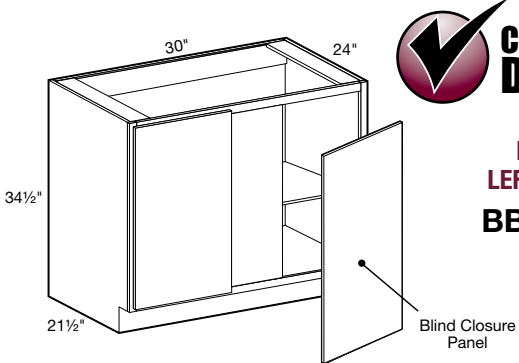
## 24" Deep Blind Base Corner



**CUSTOM DEPTH**  
SPECIFY  
RIGHT or  
LEFT BLIND  
BBCU42

- Indicate R or L for blind side (right shown)
- Cabinet can be pulled for exact fit (see installation chart)
- 3" filler, 3" & 6" overlay fillers, and 1/8" blind closure panel included
- **CUSTOM DEPTH: 9" to 23" deep (9" to 14" deep options have false front & no drawer)**

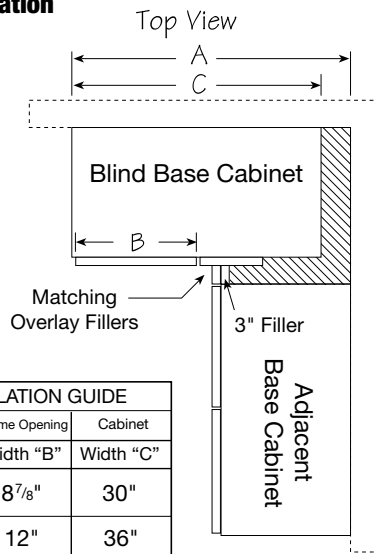
## 24" Deep Blind Base Corner Full Height Door



**CUSTOM DEPTH**  
SPECIFY  
RIGHT or  
LEFT BLIND  
BBCU39

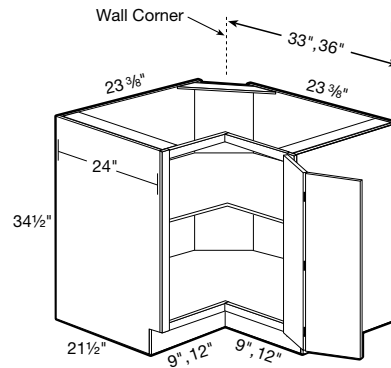
- Indicate R or L for blind side (right shown)
- Cabinet can be pulled for exact fit (see installation chart)
- 3" filler, 3" & 6" overlay fillers, and 1/8" blind closure panel included
- **CUSTOM DEPTH: 9" to 23" deep**

## Blind Base Corner Installation



BLIND BASE INSTALLATION GUIDE			
Cabinet	Wall Space "A"	Frame Opening	Cabinet
	Min - Max	Width "B"	Width "C"
BBCU39	39" - 42"	8 7/8"	30"
BBCU42	42" - 45"	12"	36"

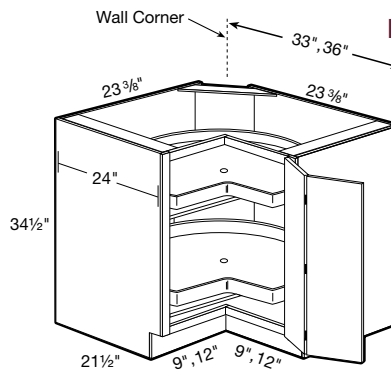
## 33" and 36" Easy Reach



SPECIFY  
RIGHT or LEFT HINGED  
EZR33  
EZR36

- One full depth "L" shaped shelf
- Interior shelf MUST be installed prior to counter top
- Doors open 170 degrees for easy access
- **SOFT CLOSE DOOR (SCD) OPTION NOT AVAILABLE**

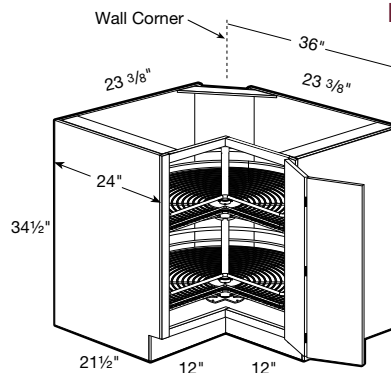
## 33" and 36" Easy Reach Super Suzan



SPECIFY  
RIGHT or LEFT HINGED  
EZR33SS  
EZR36SS

- Two 26" or 28" diameter, pie-cut independently revolving all wood shelves
- Doors open 170 degrees for easy access
- **SOFT CLOSE DOOR (SCD) OPTION NOT AVAILABLE**

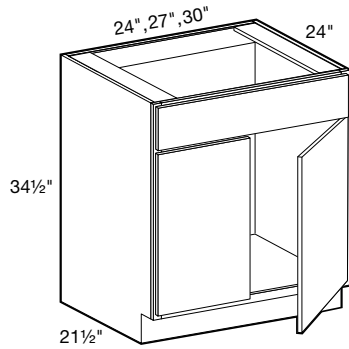
## 36" Easy Reach Chrome Susan



SPECIFY  
RIGHT or LEFT HINGED  
EZR36-2WLS

- **CHROME SUSAN FIELD INSTALLED BEFORE COUNTERTOP INSTALLATION**
- Doors open 170 degrees for easy access
- **SOFT CLOSE DOOR (SCD) OPTION NOT AVAILABLE**

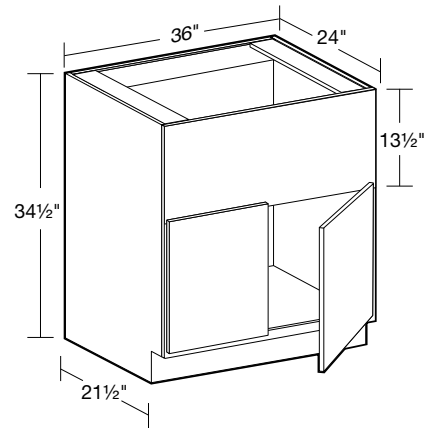
## 24" Deep Sink Base



**SB24**  
**SB27**  
**SB30**

- No shelf, false drawer front
- May also be used as drop-in cooktop base
- **CUSTOM DEPTH: 9" to 23" deep**

## 24" Deep Farm Sink Base

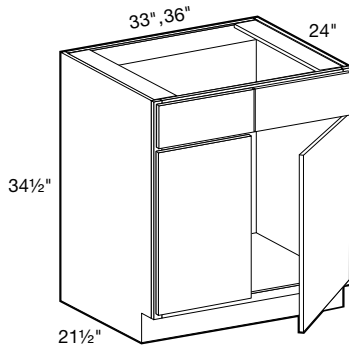


**FSB36**

**NOTE: Apron front matches face frame and not the door**

- Front rail is field modified to fit sink
- No shelf
- **CUSTOM DEPTH: 9" to 23" deep**

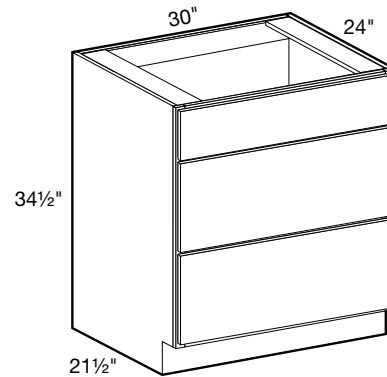
## 24" Deep Sink Base



**SB33**  
**SB36**

- No shelf, two false drawer fronts
- May also be used as drop-in cooktop base
- **CUSTOM DEPTH: 9" to 23" deep**

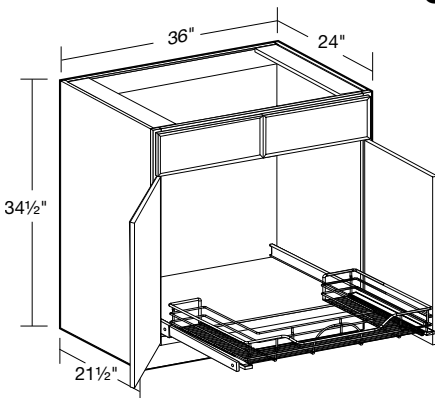
## 24" Deep Base Cooktop - Single False Front



**BCT30**

- False top drawer front
- Two deep drawers
- Accepts drop-in cooktop

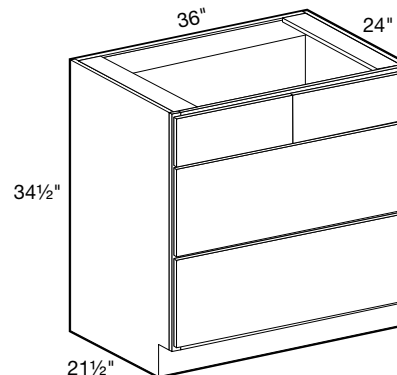
## 24" Deep Sink Base with 1 Chrome Roll-out Tray



**SB36-1USWP**

- No Shelf, two false drawer fronts
- One full width U-shaped chrome wire roll-out tray
- Designed to fit around sink plumbing

## 24" Deep Base Cooktop - Double False Front

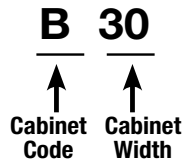


**BCT36**

- False top drawer fronts
- Two deep drawers
- Accepts drop-in cooktop

# Base Cabinets with No Doors

## BASE CABINET CODING



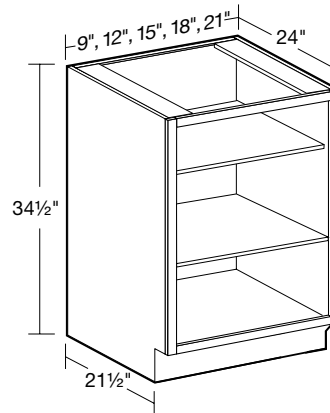
- Standard Base Cabinets are 24" deep and 34½" high
- Available in (3) colors: painted white, painted gray and mocha (stained)
- Standard cabinet exterior is color matched to face frame. End panels that match the door finish are optional

### 24" Deep Single Full Height Door



**CUSTOM DEPTH**

- B09ND
- B12ND
- B15ND
- B18ND
- B21ND



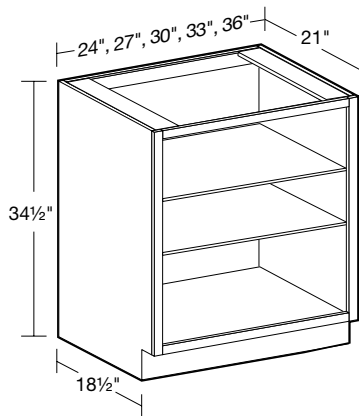
- Two full-depth adjustable shelves
- **CUSTOM DEPTH: 9" to 23" deep**

### 24" Deep Double Full Height Door



**CUSTOM DEPTH**

- B24ND
- B27ND
- B30ND
- B33ND
- B36ND



- Two full-depth adjustable shelves
- **CUSTOM DEPTH: 9" to 23" deep**

### Using ND Base Cabinets



Customize the depth of B24ND down to 12" you can use it on the end of a cabinet run for an interesting transition in the kitchen. This option is shown with a BEP2435 field modified on the exposed side of the ND cabinet to mimic a finished door.

Please Note: ND cabinets are finished to match the face frame and not the Metro doors.

# Base Cabinets Design Tips

## Designing Around a Range



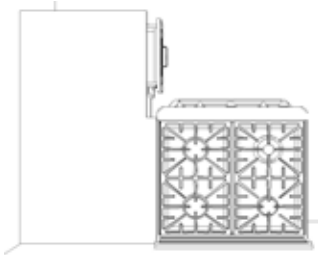
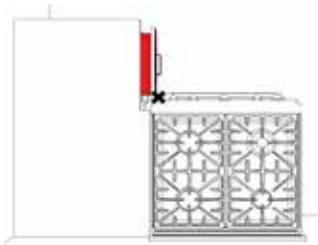
Make sure to give landing space on each side of a cooking appliance when placing in design.

## Clearance for Roll Out Trays



Be sure to leave enough clearance for doors to open at least 90 degrees. This will allow the roll out trays to be operated correctly.

## Blind Cabinets with Drawers



When placing a blind base cabinet, cabinet with drawer or trash pull out, make sure to allow enough clearance so drawer/pull out will open fully.

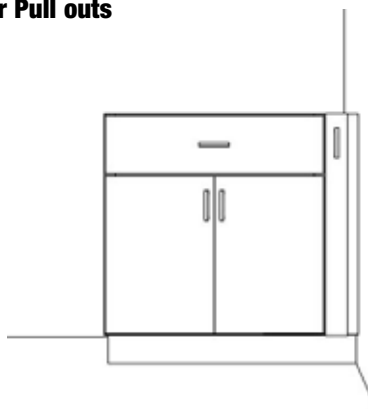
Make sure to leave enough space to allow drawer to open if placing around corner from range or appliance.

## Using a Sink Front Angle



For sufficient dishwasher door clearance and loading/unloading space, a 15" wide base cabinet is recommended for use between a corner sink base and dishwasher.

## Base Filler Pull outs

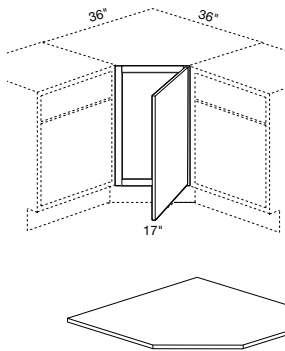


If placing next to a wall - Must use BEP2435 between wall and pull out.

Also side of adjacent cabinet should not be finished with a finished skin.

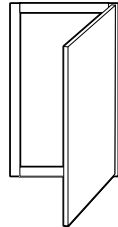
# Base Skins and Panels

## Sink Front Angle



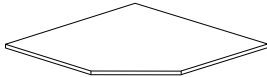
## FACE FRAME & DOOR

**SFA36**



## CORNER FLOOR

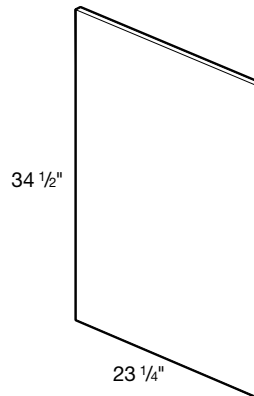
**SFAF36**



- Angle sink front must be installed between two cabinets
- Frame/door can be installed with hinges on right or left
- Floor support and toe base must be field constructed
- Maximum sink width for this application 25 $\frac{3}{4}$ "

## Base Skin

**BSK345**

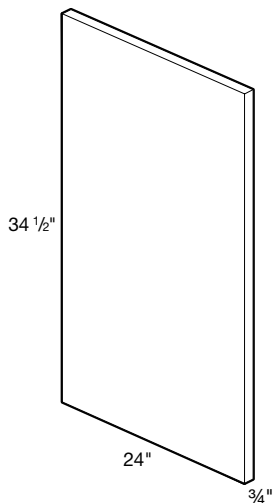


- 1/8" Thick
- Field modified and installed
- Can be field modified for shallower depth cabinets
- Finish matches cabinetry face frame

**NOTE: Cannot be used in conjunction with Factory Finished Ends**

## 24" Wide Base Matching End Panels

**BEP24345**

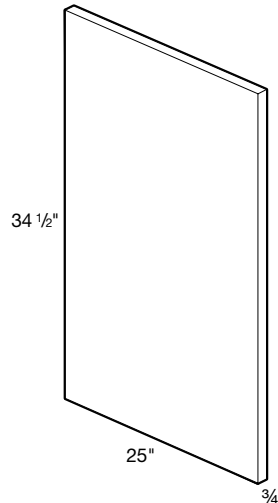


- 3/4" thick
- Durable 2 sided melamine fused to Furniture Grade particleboard
- Matching End Panels designed to match the finish of the doors
- Edgebanded on all 4 sides
- Field installed over factory installed skin
- Panel designed for Left or Right application and to align with front of cabinet face frame

**NOTE: Must be field modified if using with reduced depth cabinets**

## 25" Wide Base Cover Panels

**CPVB25345**

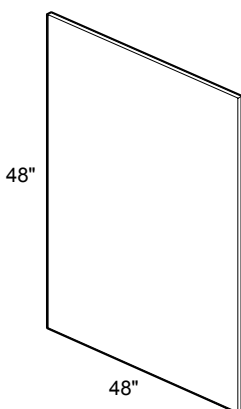


- 3/4" Thick
- Durable 2 sided melamine finish fused to Furniture Grade particleboard
- Cover Panels designed to match the finish of the doors
- Edgebanded on all 4 sides
- Field installed over factory installed skin
- Panel designed for Left or Right application and to align with front of door face to create inset door appearance

**NOTE: Must be field modified if using with reduced depth cabinets**

## Island Skin

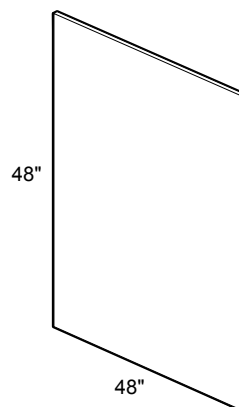
**ISK4848**



- 1/8" Thick
- Field modified and installed
- Island Skins designed to match color of face frame and not the finish of the doors

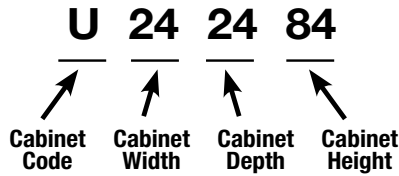
## Island Panel

**IPL4848**



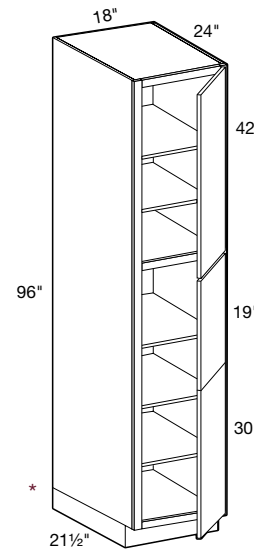
- 3/4" thick
- Durable 2 sided melamine fused to Furniture Grade particleboard
- Island Panels designed to match the finish of the doors
- Edgebanded on all 4 sides
- Field modified and installed

## TALL CABINET CODING



- Standard Tall Cabinets are 24" deep
- Add door thickness for total cabinet depth
- Standard cabinet exterior is color matched to face frame. End panels that match the door finish are optional
- Soft close hinges

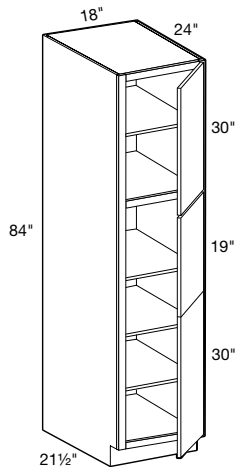
### 24" Deep Two Door Utility



**SPECIFY  
RIGHT or LEFT HINGED**  
**U182496**

- One fixed shelf dividing upper and lower door, 5 adjustable shelves
- Lower doors are 2 panels joined together with metal brackets
- Optional rollout trays or additional shelves available
- \* Loose toe kick box for ease of installation
- **CUSTOM DEPTH: 9" to 23"**

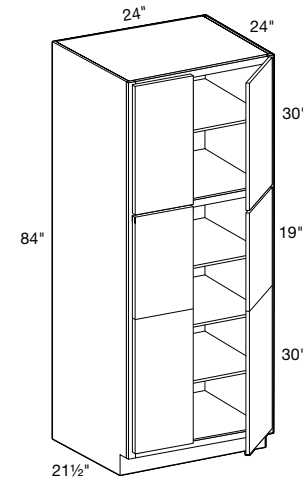
### 24" Deep Two Door Utility



**SPECIFY  
RIGHT or LEFT HINGED**  
**U182484**

- One fixed shelf dividing upper and lower door, adjustable shelves
- Lower doors are 2 panels joined together with metal brackets
- Optional rollout trays or additional shelves available
- **CUSTOM DEPTH: 9" to 23"**

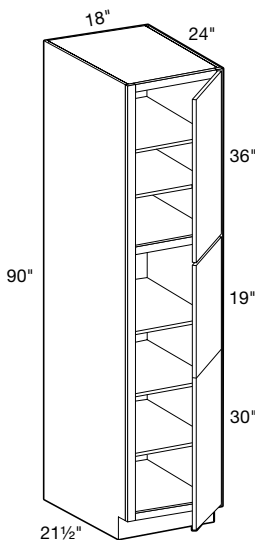
### 24" Deep Four Butt Door Utility



**U242484**

- One fixed shelf dividing upper and lower doors, 4 adjustable shelves
- Lower doors are 2 panels joined together with metal brackets
- Optional rollout trays or additional shelves available
- **CUSTOM DEPTH: 9" to 23"**

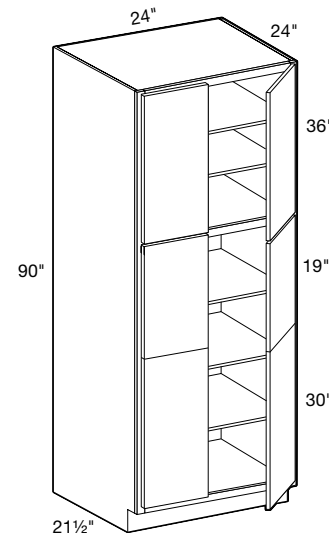
### 24" Deep Two Door Utility



**SPECIFY  
RIGHT or LEFT HINGED**  
**U182490**

- One fixed shelf dividing upper and lower door, 4 adjustable shelves
- Lower door is 2 panels joined together with metal brackets
- Optional rollout trays or additional shelves available
- **CUSTOM DEPTH: 9" to 23" deep**

### 24" Deep Four Butt Door Utility



**U242490**

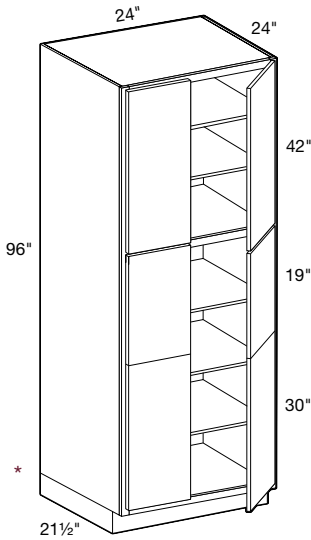
- One fixed shelf dividing upper and lower doors, 4 adjustable shelves
- Lower doors are 2 panels joined together with metal brackets
- Optional rollout trays or additional shelves available
- **CUSTOM DEPTH: 9" to 23" deep**

# Tall Cabinets

## 24" Deep Four Butt Door Utility



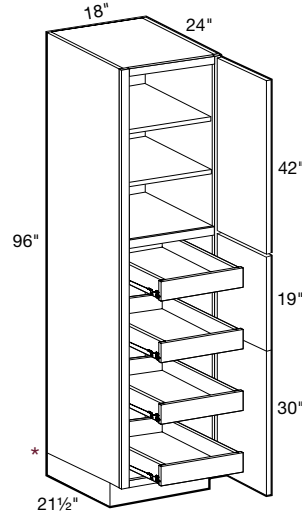
**U242496**



- One fixed shelf dividing upper and lower doors, 5 adjustable shelves
- Lower door is 2 panels joined together with metal brackets
- Optional rollout trays or additional shelves available
- \* Loose toe kick box for ease of installation
- **CUSTOM DEPTH: 9" to 23" deep**

## 24" Deep Two Door Utility with Four Rollout Trays

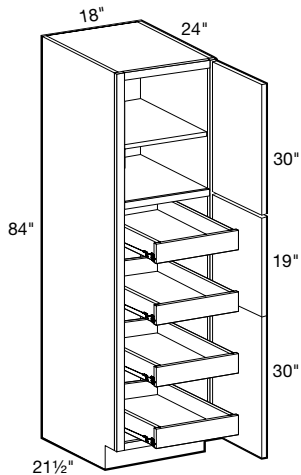
**SPECIFY RIGHT or LEFT HINGED**  
**U182496-4T**



- One fixed shelf dividing upper and lower door, 2 adjustable shelves
- Lower door is 2 panels joined together with metal brackets
- 4 Repositionable, full width rollout trays
- \* Loose toe kick box for ease of installation

## 24" Deep Two Door Utility with Four Rollout Trays

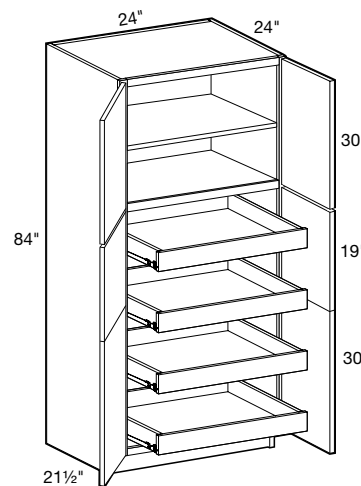
**SPECIFY RIGHT or LEFT HINGED**  
**U182484-4T**



- One fixed shelf dividing upper and lower door, one adjustable shelf
- Lower door is 2 panels joined together with metal brackets
- 4 Repositionable, full width rollout trays

## 24" Deep Four Butt Door Utility with Four Rollout Trays

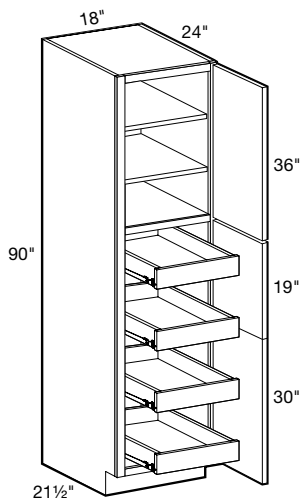
**U242484-4T**



- One fixed shelf dividing upper and lower doors, one adjustable shelf
- Lower doors are 2 panels joined together with metal brackets
- 4 Repositionable, full width rollout trays

## 24" Deep Two Door Utility with Four Rollout Trays

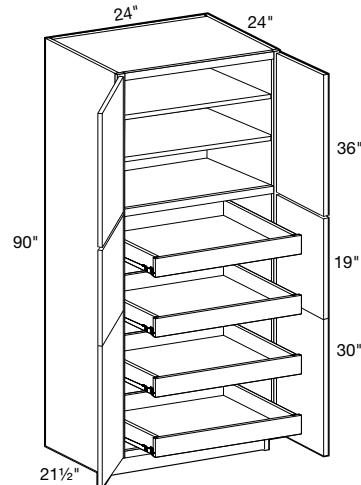
**SPECIFY RIGHT or LEFT HINGED**  
**U182490-4T**



- One fixed shelf dividing upper and lower door, 2 adjustable shelves
- Lower door is 2 panels joined together with metal brackets
- 4 repositionable, full width rollout trays

## 24" Deep Four Butt Door Utility with Four Rollout Trays

**U242490-4T**

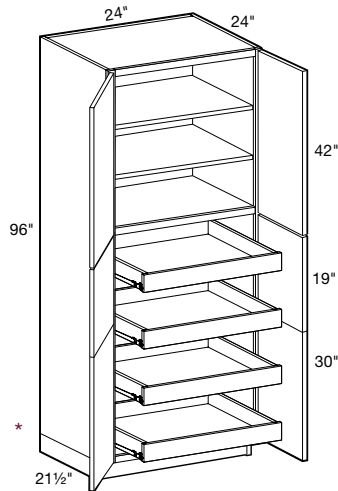


- One fixed shelf dividing upper and lower doors, 2 adjustable shelves
- Lower doors are 2 panels joined together with metal brackets
- 4 Repositionable, full width rollout trays



## 24" Deep Four Butt Door Utility with Four Rollout Trays

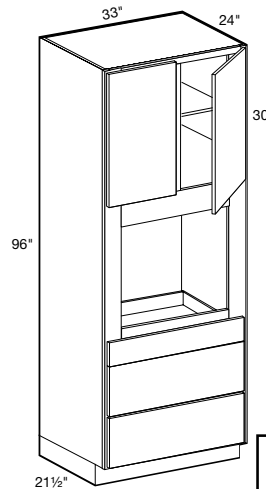
**U242496-4T**



- One fixed shelf dividing upper and lower doors, 2 adjustable shelves
- Lower doors are 2 panels joined together with metal brackets
- 4 Repositionable, full width rollout trays
- \* Loose toe kick box for ease of installation

## 24" Deep Universal Oven

**OC332496U**

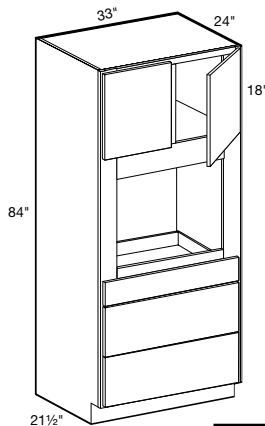


- Consult chart for oven cutout dimensions
- One adjustable shelf
- 3 field removable drawers
- 3" stiles in oven compartment
- \* Loose toe kick box for ease of installation
- For frame openings refer to page 62

CABINET	MIN. CUTOUT WIDTH	MAX CUTOUT WIDTH	MIN. CUTOUT HEIGHT	MAX CUTOUT HEIGHT
OC332496U	27"	31"	22"	60"

## 24" Deep Universal Oven

**OC332484U**

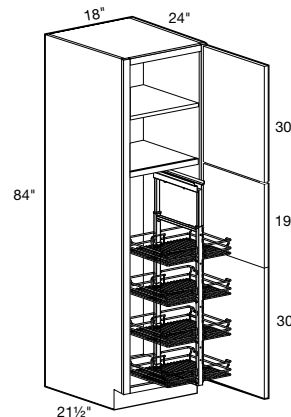


- Consult chart for oven cutout dimensions
- No adjustable shelf
- 3 field removable drawers
- 3" stiles in oven compartment
- For frame openings refer to page 62

CABINET	MIN. CUTOUT WIDTH	MAX CUTOUT WIDTH	MIN. CUTOUT HEIGHT	MAX CUTOUT HEIGHT
OC332484U	27"	31"	22"	60"

## 24" Deep Two Door Utility with Four Pull-out Chrome Trays

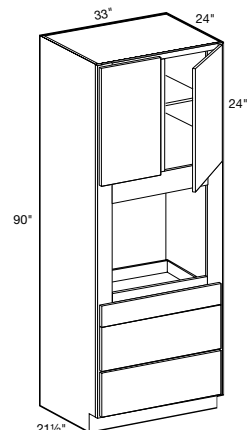
**SPECIFY RIGHT or LEFT HINGED**  
**U182484-PO4WS**



- **FIELD INSTALLED PULL-OUT UNIT**
- Pull-out unit includes 4 chrome baskets and optional door mounts
- Lower doors are 2 panels joined together with metal brackets
- Top and bottom glides are soft closing and 250 lb. weight rated
- One fixed shelf dividing upper and lower door
- One adjustable upper shelf

## 24" Deep Universal Oven

**OC332490U**

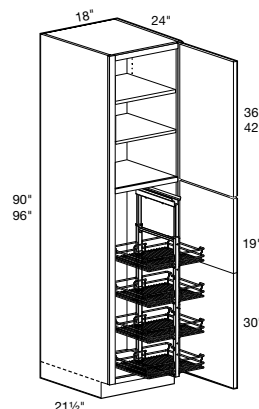


- Consult chart for oven cutout dimensions
- One adjustable shelf
- 3 field removable drawers
- 3" stiles in oven compartment
- For frame openings refer to page 62

CABINET	MIN. CUTOUT WIDTH	MAX CUTOUT WIDTH	MIN. CUTOUT HEIGHT	MAX CUTOUT HEIGHT
OC332490U	27"	31"	22"	60"

## 24" Deep Two Door Utility with Four Pull-out Chrome Trays

**SPECIFY RIGHT or LEFT HINGED**  
**U182490-PO4WS**  
**U182496-PO4WS**

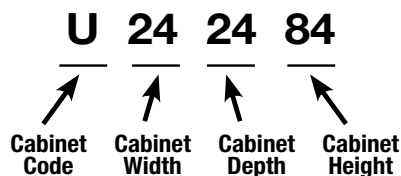


- **FIELD INSTALLED PULL-OUT UNIT**
- Pull-out unit includes 4 chrome baskets and optional door mounts
- Lower doors are 2 panels joined together with metal brackets
- Top and bottom glides are soft closing and 250 lb. weight rated
- One fixed shelf dividing upper and lower door
- Two adjustable upper shelves

\* Loose toe kick box for ease of installation

# Tall Cabinets with Glass Doors

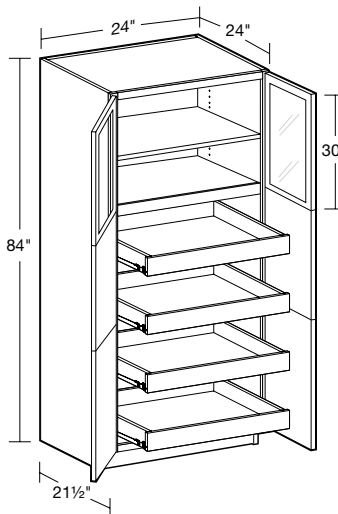
## TALL CABINET CODING



- Standard Tall Cabinets are 24" deep
- Add door thickness for total cabinet depth
- Standard cabinet exterior is color matched to face frame. End panels that match the door finish are optional
- Frosted glass ships separate from cabinets
- Matching interiors are standard in prepped for glass (PFG) cabinets.
- Matching interiors will match the face frame, not the doors
- All glass doors will come as a mitered shaker frame in a silver satin wrapped MDF
- Soft close hinges

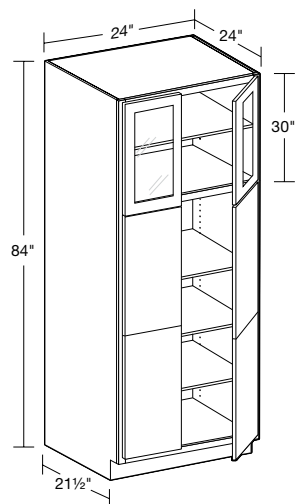
### 24" Deep Four Butt Door Utility with Four Rollout Trays

**U242484PFG-4T**



- Top door is glass
- One fixed shelf dividing upper and lower doors
- Four repositionable, full width rollout trays in solid birch
- One matching adjustable shelf

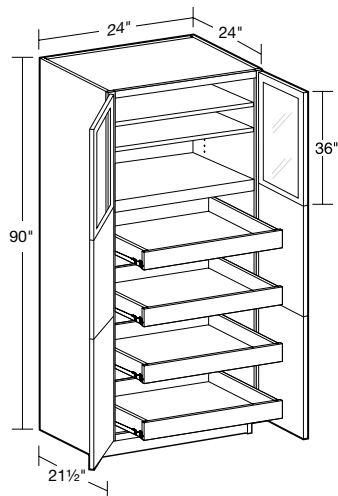
### 24" Deep Four Butt Door Utility



- Top door is glass
- One fixed shelf dividing upper and lower doors, four adjustable shelves
- Optional rollout trays or additional shelves available
- **CUSTOM DEPTH: 9" to 23" deep**

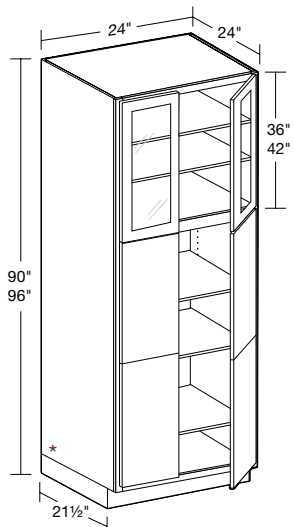
### 24" Deep Four Butt Door Utility with Four Rollout Trays

**U242490PFG-4T**



- Top door is glass
- One fixed shelf dividing upper and lower doors
- Four repositionable, full width rollout trays in solid birch
- Two adjustable shelves

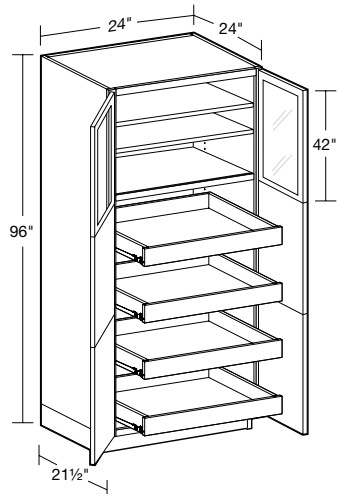
### 24" Deep Four Butt Door Utility



- Top door is glass
- One fixed shelf dividing upper and lower doors, five adjustable shelves
- Optional rollout trays or additional shelves available
- \* On 96", loose toe kick box for ease of installation
- **CUSTOM DEPTH: 9" to 23"**

### 24" Deep Four Butt Door Utility with Four Rollout Trays

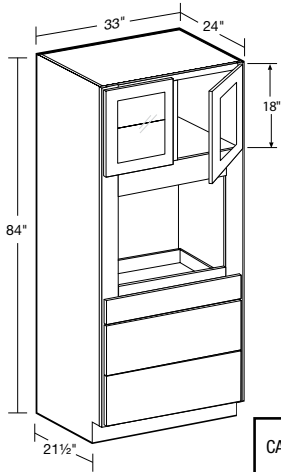
**U242496PFG-4T**



- Top door is glass
- One fixed shelf dividing upper and lower doors
- Four repositionable, full width rollout trays in solid birch
- Two adjustable shelves
- \* Loose toe kick box for ease of installation

# Tall Cabinets with Glass Doors

## 24" Deep Universal Oven

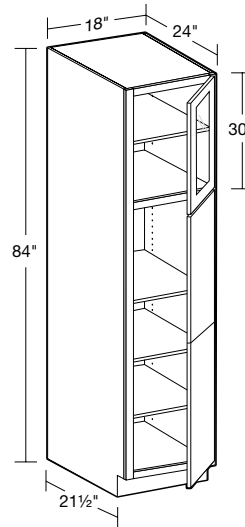


**OC332484PFGU**

- Top door is glass
- Consult chart for oven cutout dimensions
- No adjustable shelf
- 3 field removable drawers
- 3" stiles in oven compartment
- For frame openings refer to page 62

CABINET	MIN. CUTOUT WIDTH	MAX CUTOUT WIDTH	MIN. CUTOUT HEIGHT	MAX CUTOUT HEIGHT
OC332484U	27"	31"	22"	60"

## 24" Deep Two Door Utility

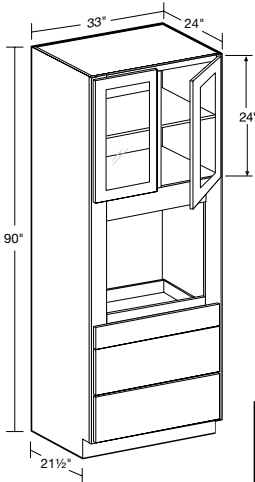


**SPECIFY  
RIGHT or LEFT HINGED**

**U182484PFG**

- Top door is glass
- One fixed shelf dividing upper and lower doors, four adjustable shelves
- Optional rollout trays or additional shelves available
- **CUSTOM DEPTH: 9" to 23" deep**

## 24" Deep Universal Oven

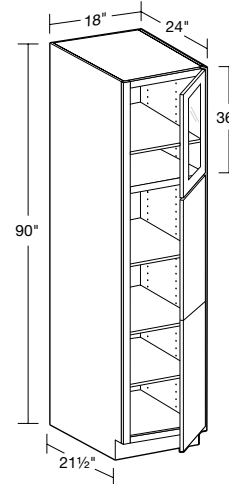


**OC332490PFGU**

- Top door is glass
- Consult chart for oven cutout dimensions
- One adjustable shelf
- 3 field removable drawers
- 3" stiles in oven compartment
- For frame openings refer to page 62

CABINET	MIN. CUTOUT WIDTH	MAX CUTOUT WIDTH	MIN. CUTOUT HEIGHT	MAX CUTOUT HEIGHT
OC332490U	27"	31"	22"	60"

## 24" Deep Two Door Utility

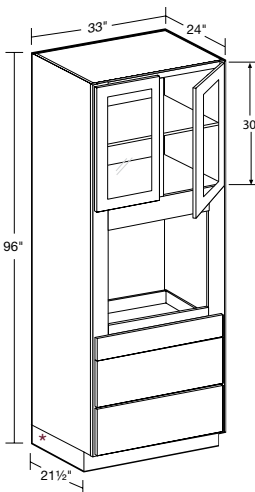


**SPECIFY  
RIGHT or LEFT HINGED**

**U182490PFG**

- Top door is glass
- One fixed shelf dividing upper and lower doors, four adjustable shelves
- Optional rollout trays or additional shelves available
- **CUSTOM DEPTH: 9" to 23" deep**

## 24" Deep Universal Oven

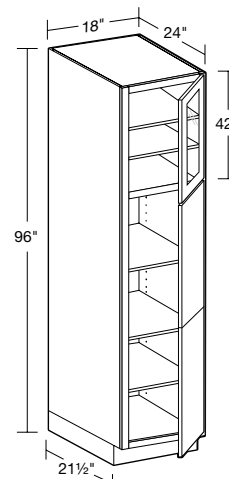


**OC332496PFGU**

- Top door is glass
- Consult chart for oven cutout dimensions
- One adjustable shelf
- 3 field removable drawers
- 3" stiles in oven compartment
- \* Loose toe kick box for ease of installation
- For frame openings refer to p.62

CABINET	MIN. CUTOUT WIDTH	MAX CUTOUT WIDTH	MIN. CUTOUT HEIGHT	MAX CUTOUT HEIGHT
OC332496U	27"	31"	22"	60"

## 24" Deep Two Door Utility



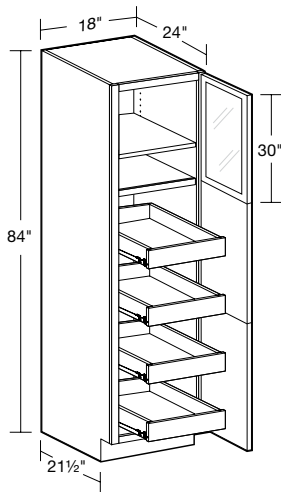
**SPECIFY  
RIGHT or LEFT HINGED**

**U182496PFG**

- Top door is glass
- One fixed shelf dividing upper and lower doors, five adjustable shelves
- Optional rollout trays or additional shelves available
- \* Loose toe kick box for ease of installation
- **CUSTOM DEPTH: 9" to 23" deep**

# Tall Cabinets with Glass Doors

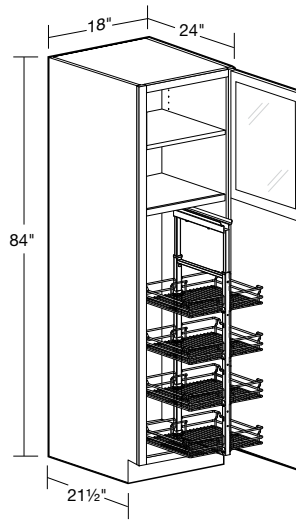
## 24" Deep Two Door Utility with Four Rollout Trays



**SPECIFY  
RIGHT or LEFT HINGED  
U182484PFG-4T**

- Top door is glass
- One fixed shelf dividing upper and lower doors
- Four repositionable, full width rollout trays in solid birch
- One adjustable shelf

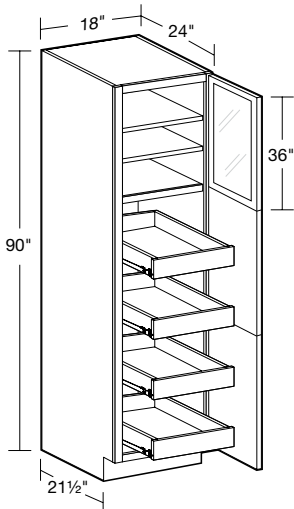
## 24" Deep Two Door Utility with Four Pull-out Chrome Trays



**SPECIFY  
RIGHT or LEFT HINGED  
U182484PFG-PO4WS**

- Top door is glass

## 24" Deep Two Door Utility with Four Rollout Trays

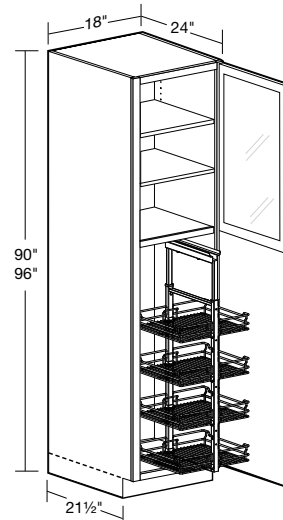


**SPECIFY  
RIGHT or LEFT HINGED  
U182490PFG-4T**

- Top door is glass
- One fixed shelf dividing upper and lower doors
- Four repositionable, full width rollout trays in solid birch
- Two adjustable shelves

- **FIELD INSTALLED PULL-OUT UNIT**
- Pull-out unit includes 4 chrome baskets and optional door mounts
- Top and bottom glides are soft closing and 250 lb. weight rated
- One fixed shelf dividing upper and lower door
- One adjustable upper shelf

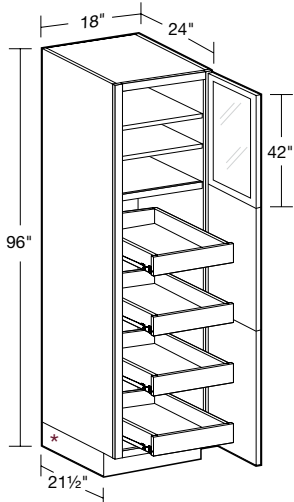
## 24" Deep Two Door Utility with Four Pull-out Chrome Trays



**SPECIFY  
RIGHT or LEFT HINGED  
U182490PFG-PO4WS  
U182496PFG-PO4WS**

- Top door is glass
- \* Loose toe kick box for ease of installation
- Factory finish ends not available for 96" high

## 24" Deep Two Door Utility with Four Rollout Trays



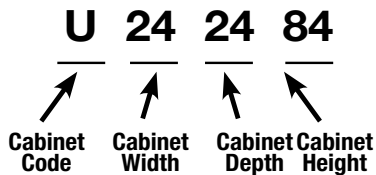
**SPECIFY  
RIGHT or LEFT HINGED  
U182496PFG-4T**

- Top door is glass
- One fixed shelf dividing upper and lower doors
- Four repositionable, full width rollout trays in solid birch
- Two adjustable shelves
- \* Loose toe kick box for ease of installation

- **FIELD INSTALLED PULL-OUT UNIT**
- Pull-out unit includes 4 chrome baskets and optional door mounts
- Top and bottom glides are soft closing and 250 lb. weight rated
- One fixed shelf dividing upper and lower door
- Two adjustable upper shelves

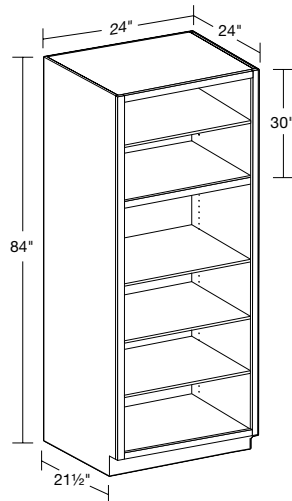
# Tall Cabinets with No Doors

## TALL CABINET CODING



- Standard Tall Cabinets are 24" deep
- Available in (3) colors: painted white, painted gray and mocha (stained)
- Standard cabinet exterior is color matched to face frame. End panels that match the door finish are optional

### 24" Deep Four Butt Door Utility



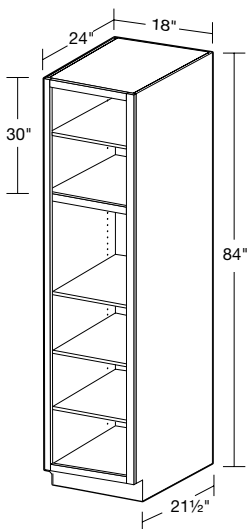
- One fixed shelf dividing upper and lower sections, four adjustable shelves
- **CUSTOM DEPTH: 9" to 23" deep**

### 24" Deep Two Door Utility



**SPECIFY  
RIGHT or LEFT HINGED**

**U182484ND**

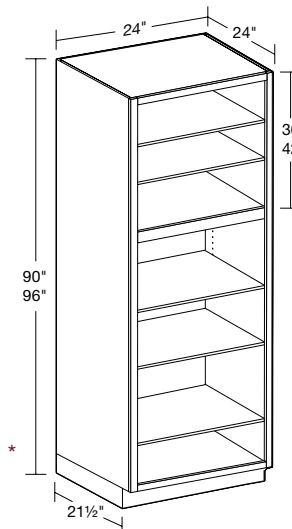


- One fixed shelf dividing upper and lower sections, four adjustable shelves
- **CUSTOM DEPTH: 9" to 23" deep**

### 24" Deep Four Butt Door Utility



**U242490ND  
U242496ND**



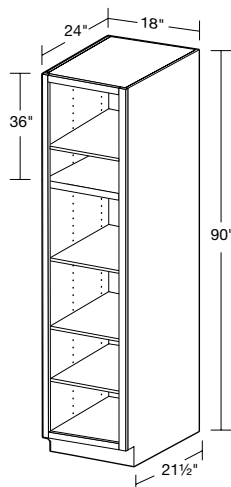
- One fixed shelf dividing upper and lower sections, five adjustable shelves
- \* On 96", loose toe kick box for ease of installation
- **CUSTOM DEPTH: 9" to 23" deep**

### 24" Deep Two Door Utility



**SPECIFY  
RIGHT or LEFT HINGED**

**U182490ND**



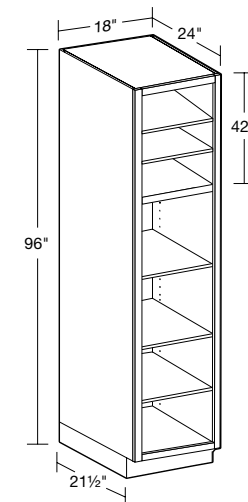
- One fixed shelf dividing upper and lower sections, four adjustable shelves
- **CUSTOM DEPTH: 9" to 23" deep**

### 24" Deep Two Door Utility



**SPECIFY  
RIGHT or LEFT HINGED**

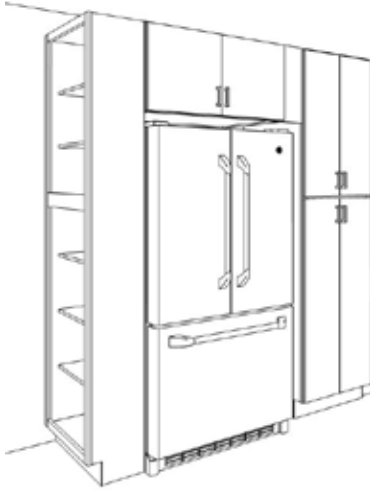
**U182496ND**



- One fixed shelf dividing upper and lower sections, five adjustable shelves
- \* Loose toe kick box for ease of installation
- **CUSTOM DEPTH: 9" to 23" deep**

# Tall Cabinets Design Tips

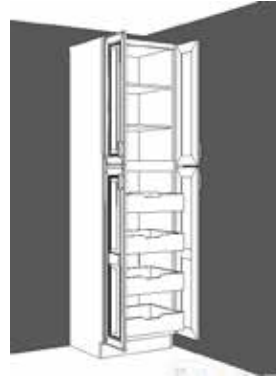
## Customizing the Depth of a Tall Cabinet



Customize the depth of a 24" wide Utility cabinet with no doors (U242484ND, U242490ND, or U242496ND) down to 12" and use it facing out next to a refrigerator or another utility cabinet for open storage and an interesting transition in the kitchen.

Please Note: ND cabinets are finished to match the face frame and not the Metro doors.

## Clearance for Roll Out Trays



Make sure to leave enough clearance on for door to open at least 90degrees when placing next to wall or refrigerator cabinet.

## Customizing the Depth of a Tall Cabinet



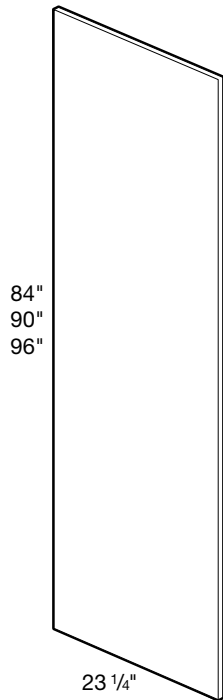
A narrow alcove in your kitchen or a pantry like storage area can be transformed into an entire wall of open and closed storage by using a combination of ND and Standard Utility cabinets with a reduced depth.

Please Note: ND cabinets are finished to match the face frame and not the Metro doors.

# Tall Skins and Panels

## Tall Skin

### TSK96



- 1/8" Thick
- Field modified and installed
- Can be modified for shallower depth and shorter tall cabinets
- Finish matches cabinetry face frame

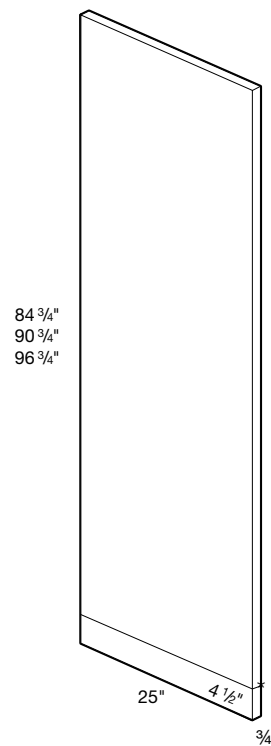
**NOTE: Cannot be used in conjunction with Factory Finished Ends**

## 25" Wide Tall Cover Panels

### CPVT258475

### CPVT259075

### CPVT259675



- 3/4" thick
- Durable 2 sided melamine fused to Furniture Grade particleboard
- Cover Panels designed to match the finish of the doors
- Edgebanded on all 4 sides
- Field installed over factory installed skin
- Panel designed for Left or Right application and to align with front of door face to create inset door appearance

**NOTE: Must be field modified if using with reduced depth cabinets**

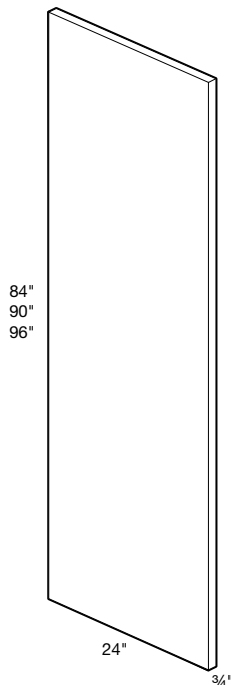
**\*NOTE: The 96 3/4" Tall (CPVT259675) Cover Panel is 2 pieces, seamed at the 4 1/2" Toe Kick height**

## 24" Wide Tall End Panels

### TEP2484

### TEP2490

### TEP2496

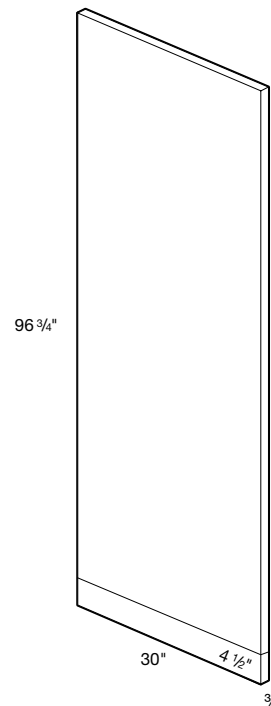


- 3/4" Thick
- Durable 2 sided melamine finish fused to Furniture Grade particleboard
- Tall End Panels designed to match the finish of the doors'
- Edgebanded on all 4 sides
- Field installed over factory installed skin
- Panel designed for Left or Right application and to align with front of cabinet face frame

**NOTE: Must be field modified if using with reduced depth cabinets**

## 30" Wide Universal Panel

### CPVT309675

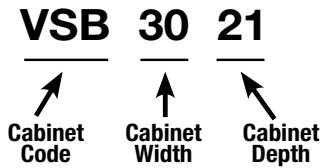


- 3/4" Thick
- Durable 2 sided melamine finish fused to Furniture Grade particleboard
- Universal Panel designed to match the finish of the doors
- Edgebanded on all 4 sides
- Field installation
- Can be used as a Refrigerator Panel

**NOTE: This Panel is 2 pieces, seamed at the 4 1/2" Toe Kick height**

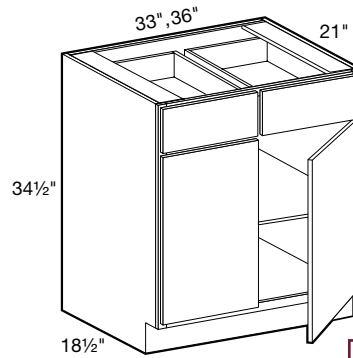
# Vanity Base Cabinets

## VANITY CABINET CODING



- Standard Vanity Base Cabinets are 21" deep and 34½" high
- Cabinet depth does not include door thickness
- **Custom Depths are available where indicated. Use Standard Base Cabinet coding to order as specified.**
- Standard cabinet exterior is color matched to face frame. End panels that match the door finish are optional
- Soft close hinges

### 21" Deep Double Door Vanity Base



STANDARD  
21" DEPTHS

VB3321  
VB3621



#### FOR CUSTOM DEPTHS

- One full depth adjustable shelf
- Two standard drawers

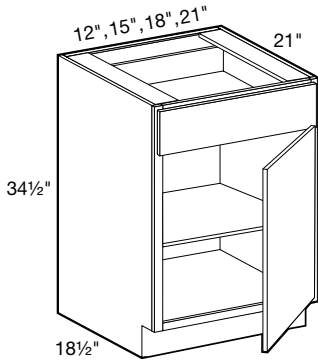
- Order **B33** or **B36**
- Select 9" to 23" depth
- 9" to 14" deep have false fronts & no drawer

### 21" Deep Single Door Vanity Base

**SPECIFY  
RIGHT or LEFT HINGED**

STANDARD  
21" DEPTHS

VB1221  
VB1521  
VB1821  
VB2121



- One full depth adjustable shelf
- One standard drawer



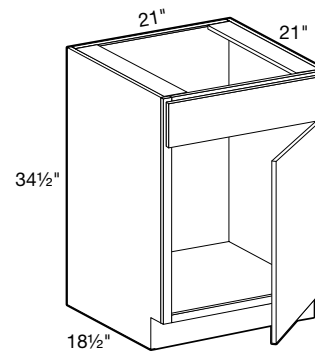
#### FOR CUSTOM DEPTHS

- Order **B12, B15, B18** or **B21**
- Select 9" to 23" depth
- 9" to 14" deep have false fronts & no drawer

### 21" Deep Single Door Vanity Sink Base

**SPECIFY  
RIGHT or LEFT HINGED**

VS**B**2121

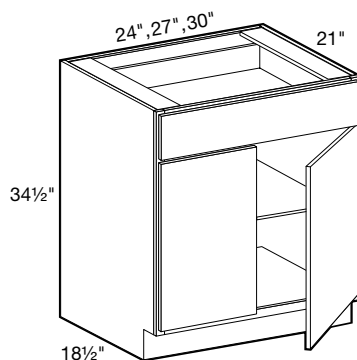


- Maximum sink cutout 19" wide
- No shelf
- False drawer front

### 21" Deep Double Door Vanity Base

STANDARD  
21" DEPTHS

VB2421  
VB2721  
VB3021



- One full depth adjustable shelf
- One standard drawer



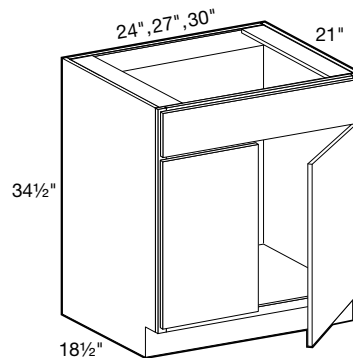
#### FOR CUSTOM DEPTHS

- Order **B24, B27** or **B30**
- Select 9" to 23" depth
- 9" to 14" deep have false fronts & no drawer

### 21" Deep Double Door Vanity Sink Base

STANDARD  
21" DEPTHS

VS**B**2421  
VS**B**2721  
VS**B**3021



- No shelf
- False drawer front



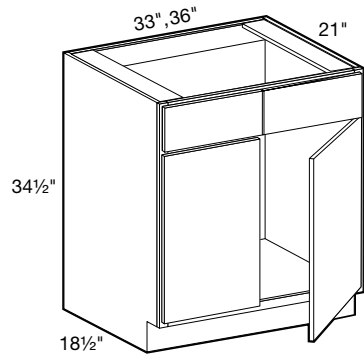
#### FOR CUSTOM DEPTHS

- Order **SB24, SB27** or **SB30**
- Select 9" to 23" depth



# Vanity Base Cabinets

## 21" Deep Double Door Vanity Sink Base



STANDARD  
21" DEPTHS

VSB3321  
VSB3621

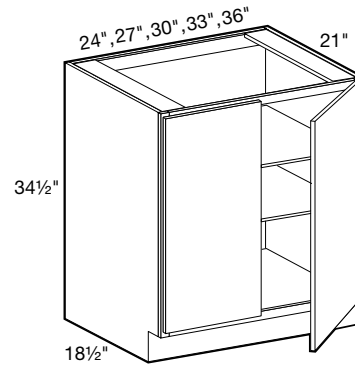


**FOR CUSTOM DEPTHS**

- Order **SB33** or **SB36**
- Select 9" to 23" depth

- No shelf, two false fronts

## 21" Deep Double Full Height Door Vanity Base



STANDARD  
21" DEPTHS

VB2421FH  
VB2721FH  
VB3021FH  
VB3321FH  
VB3621FH

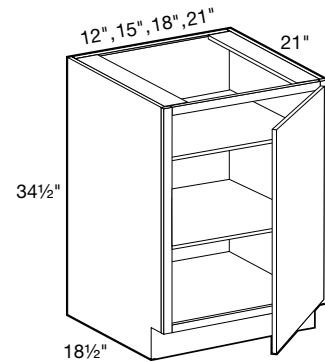


**FOR CUSTOM DEPTHS**

- Order **B24FH**, **B27FH**, **B30FH** or **B36FH**
- Select 9" to 23" depth

- Two adjustable shelves

## 21" Deep Single Full Height Door Vanity Base



SPECIFY  
**RIGHT** or **LEFT** HINGED

STANDARD  
21" DEPTHS

VB1221FH  
VB1521FH  
VB1821FH  
VB2121FH

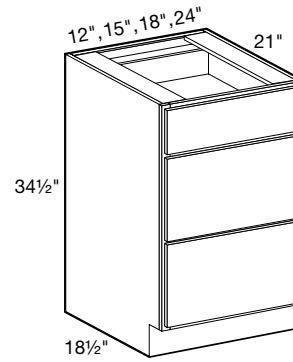


**FOR CUSTOM DEPTHS**

- Order **B12FH**, **B15FH**, **B18FH** or **B21FH**
- Select 9" to 23" depth

- Two adjustable shelves

## 21" Deep Vanity Base Drawer



STANDARD  
21" DEPTHS

VBD1221  
VBD1521  
VBD1821  
VBD2421



**FOR CUSTOM DEPTHS**

- Order **BD12**, **BD15**, **BD18** or **BD24**
- Select 15" to 23" depth

- One standard drawer
- Two deep drawers

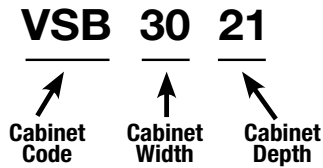
## Designing with Vanity Base Cabinets for a Cost Savings



If you need to gain up to 3" of depth, use Vanity base cabinets in your kitchen or laundry room instead of customizing the depth of a standard base for a cost savings!

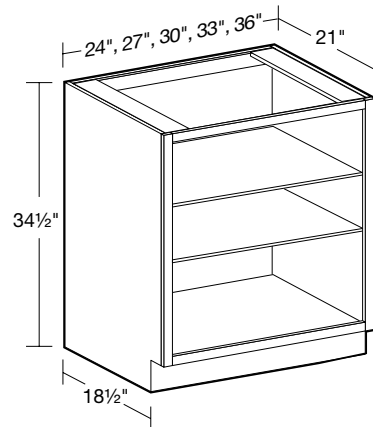
# Vanity Base Cabinets with No Door

## VANITY CABINET CODING



- Standard Vanity Base Cabinets are 21" deep and 34½" high
- **Custom Depths are available where indicated. Use Standard Base Cabinet coding to order as specified.**
- Available in (3) colors: painted white, painted gray and mocha (stained)
- Standard cabinet exterior is color matched to face frame. End panels that match the door finish are optional

### 21" Deep Vanity Base with no Doors



- Two adjustable shelves

#### STANDARD 21" DEPTHS

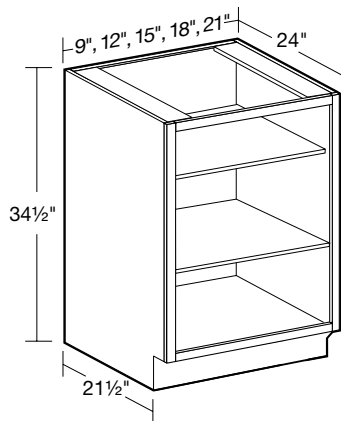
**VB2421ND**  
**VB2721ND**  
**VB3021ND**  
**VB3321ND**  
**VB3621ND**



#### FOR CUSTOM DEPTHS

- Order **B24FH, B27FH, B30FH** or **B36FH**
- Select 9" to 23" depth

### 21" Deep Vanity Base with no Doors



- Two adjustable shelves

#### STANDARD 21" DEPTHS

**VB1221ND**  
**VB1521ND**  
**VB1821ND**  
**VB2121ND**



#### FOR CUSTOM DEPTHS

- Order **B12FH, B15FH, B18FH** or **B21FH**
- Select 9" to 23" depth

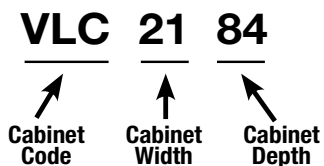
### Using ND Vanity Base Cabinets



Use an ND cabinet as narrow as VB1521ND in your bathroom to store rolled towels or wash cloths.

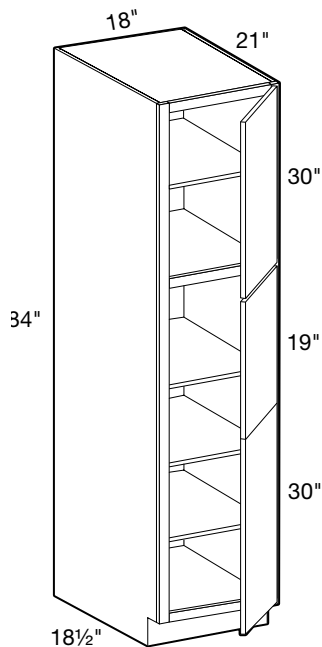
Please Note: ND cabinets are finished to match the face frame and not the Metro doors

## VANITY CABINET CODING



- Standard Vanity Base Cabinets are 21" deep and 34½" high
- Cabinet depth does not include door thickness
- **Custom Depths are available where indicated. Use Standard Base Cabinet coding to order as specified.**
- Products are available in all door styles unless stated otherwise
- Standard cabinet exterior is color matched to face frame. End panels that match the door finish are optional
- Frosted glass ships separate from cabinets
- Matching interiors are standard in prepped for glass (PFG) cabinets.
- Matching interiors will match the face frame, not the doors
- All glass doors will come as a mitered shaker frame in a silver stain wrapped MDF
- Soft close hinges

### 21" Deep Two Door Linen



**SPECIFY  
RIGHT or LEFT HINGED**

**21" DEPTH  
VLC182184**

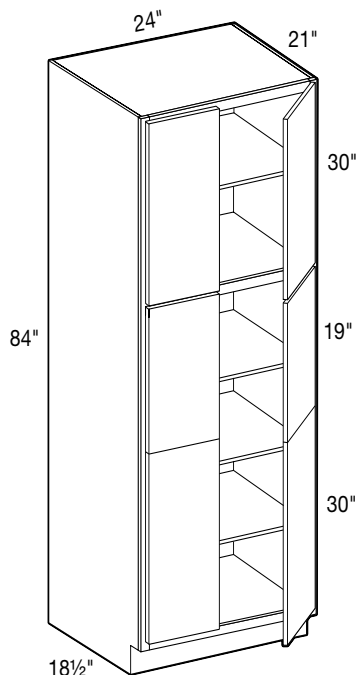
- One fixed shelf dividing upper and lower doors, four adjustable shelves
- Lower door is 2 panels joined together with metal brackets



**FOR CUSTOM DEPTHS**

- Order **U182484**
- Select 9" to 23" depth

### 21" Deep Four Door Linen



**21" DEPTH  
VLC242184**

- One fixed shelf dividing upper and lower doors, four adjustable shelves
- Lower door is 2 panels joined together with metal brackets

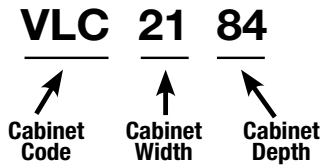


**FOR CUSTOM DEPTHS**

- Order **U182484**
- Select 9" to 23" depth

# Vanity Linen Cabinets with Glass Doors

## VANITY CABINET CODING

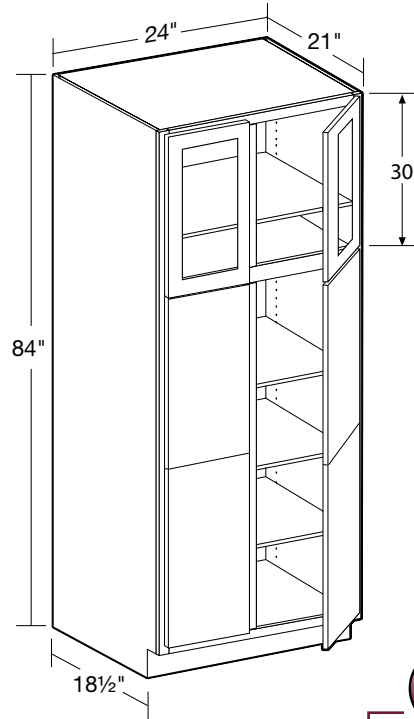


- Standard Vanity Base Cabinets are 21" deep and 34½" high
- Cabinet depth does not include door thickness
- **Custom Depths are available where indicated. Use Standard Base Cabinet coding to order as specified.**
- Products are available in all door styles unless stated otherwise
- Standard cabinet exterior is color matched to face frame. End panels that match the door finish are optional
- Frosted glass ships separate from cabinets
- Matching interiors are standard in prepped for glass (PFG) cabinets.
- Matching interiors will match the face frame, not the doors
- All glass doors will come as a mitered shaker frame in a silver satin wrapped MDF
- Soft close hinges

### 21" Deep Four Door Linen

**STANDARD  
21" DEPTH**

**VLC242184PFG**



**FOR CUSTOM DEPTHS**

- Order **U242484**
- Select 9" to 23" depth

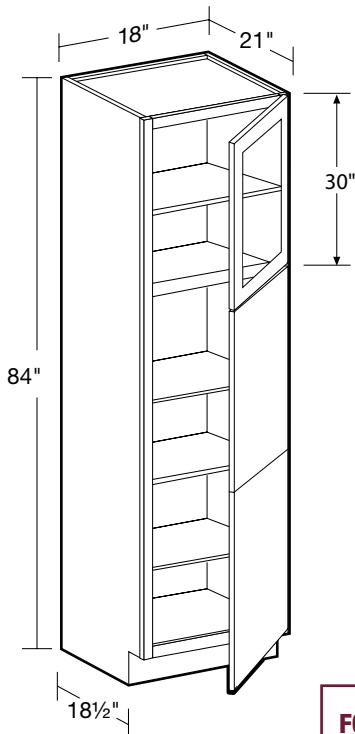
- One fixed shelf dividing upper and lower doors, four adjustable shelves

### 21" Deep Two Door Linen

**SPECIFY  
RIGHT or LEFT HINGED**

**STANDARD  
21" DEPTH**

**VLC182184PFG**



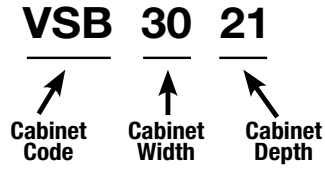
**FOR CUSTOM DEPTHS**

- Order **U182484**
- Select 9" to 23" depth

- One fixed shelf dividing upper and lower doors, four adjustable shelves

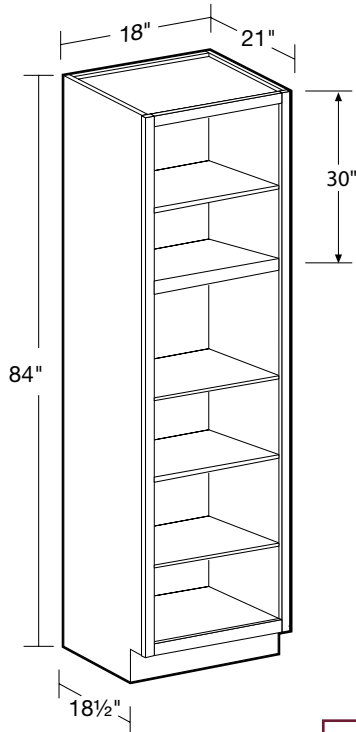
# Vanity Linen Cabinets with No Doors

## VANITY CABINET CODING



- Custom Depths are available where indicated. Use Standard Base Cabinet coding to order as specified.
- Available in (3) colors: painted white, painted gray and mocha (stained)
- Standard cabinet exterior is color matched to face frame. End panels that match the door finish are optional

### 21" Deep Two Door Linen



**STANDARD  
21" DEPTH  
VLC182184ND**



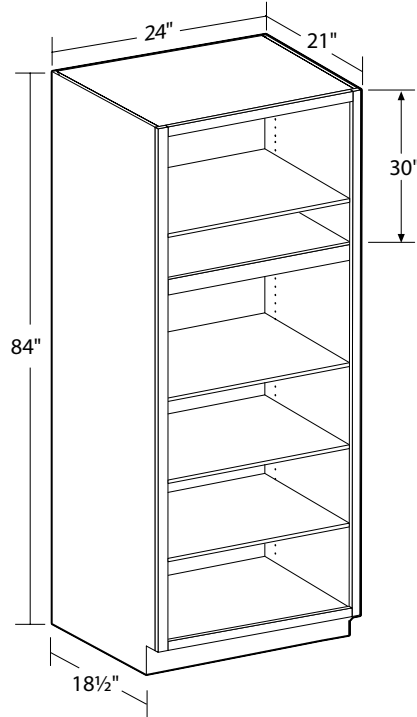
**FOR CUSTOM DEPTHS**

- Order **U182484**
- Select 9" to 23" depth

- One fixed shelf dividing upper and lower section, four adjustable shelves

### 21" Deep Four Door Linen

**STANDARD  
21" DEPTH  
VLC242184ND**



**FOR CUSTOM DEPTHS**

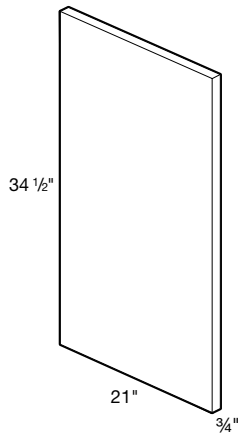
- Order **U242484**
- Select 9" to 23" depth

- One fixed shelf dividing upper and lower doors, four adjustable shelves

# Vanity Skins and Panels

## 21" Wide Vanity Matching End Panels

**VBEP21345**

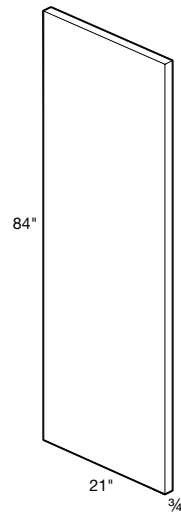


- 3/4" thick
- Durable 2 sided melamine fused to Furniture Grade particleboard
- Matching End Panels designed to match the finish of the doors
- Edgebanded on all 4 sides
- Field installed over factory installed skin
- Panel designed for Left or Right application and to align with front of cabinet face frame

**NOTE: Must be field modified if using with reduced depth cabinets**

## 21" Wide Linen Tall Matching End Panels

**VTEP2184**

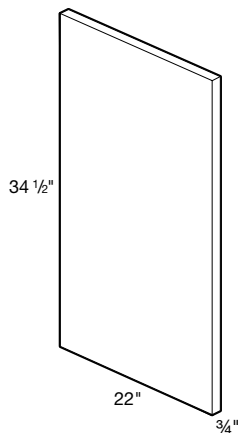


- 3/4" thick
- Durable 2 sided melamine fused to Furniture Grade particleboard
- Matching End Panels designed to match the finish of the doors
- Edgebanded on all 4 sides
- Field installed over factory installed skin
- Panel designed for Left or Right application and to align with front of cabinet face frame

**NOTE: Must be field modified if using with reduced depth cabinets**

## 22" Wide Vanity Matching Cover Panels

**CPVVB22345**

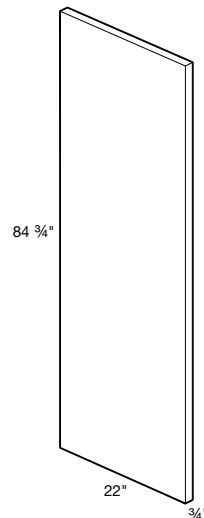


- 3/4" thick
- Durable 2 sided melamine fused to Furniture Grade particleboard
- Cover Panels designed to match the finish of the doors
- Edgebanded on all 4 sides
- Field installed over factory installed skin
- Panel designed for Left or Right application and to align with front of door face to create inset door appearance

**NOTE: Must be field modified if using with reduced depth cabinets**

## 22" Wide Linen Tall Cover Panels

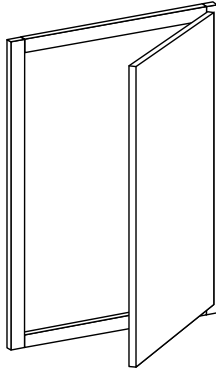
**CPVVT228475**



- 3/4" thick
- Durable 2 sided melamine fused to Furniture Grade particleboard
- Cover Panels designed to match the finish of the doors
- Edgebanded on all 4 sides
- Field installed over factory installed skin
- Panel designed for Left or Right application and to align with front of door face to create inset door appearance

**NOTE: Must be field modified if using with reduced depth cabinets**

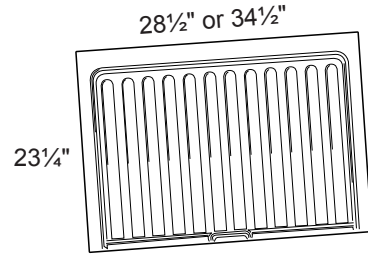
## Cabinet Fronts Only (CFO)



Most Wall cabinets can be ordered as "Cabinet Fronts Only". Face frame, doors, hinges and bumpers will be supplied and shipped loose.

Please consult CFO availability guide on page 64.

## Sink Base Liner

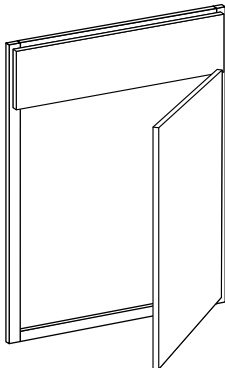


**SBL2730**

**SBL3336**

- Helps protect sink cabinet from damage due to leaks in piping or drains
- Sleek surface for easy cleanup
- SBL2730 can be trimmed to fit SB27 or SB30
- SBL3336 can be trimmed to fit SB33 or SB36
- Field installed
- Grey polystyrene easy to clean surface
- Not for use in custom-depth cabinets

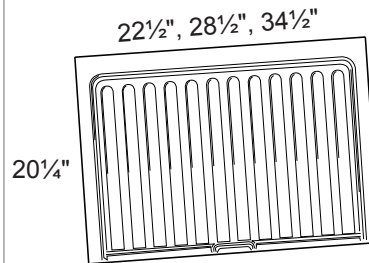
## Cabinet Fronts Only (CFO)



Most Base cabinets can be ordered as "Cabinet Fronts Only". Face frame, doors, drawer fronts, hinges, and bumpers will be supplied and shipped loose. In addition, plastic corner blocks will be supplied for false front installation requirements.

Please consult CFO availability guide on page 64.

## 21" Deep Vanity Sink Base Liner



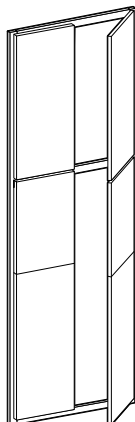
**VSBL2124**

**VSBL2730**

**VSBL3336**

- Helps protect sink cabinet from damage due to leaks in piping or drains
- Field installed
- Grey polystyrene easy to clean surface
- Not for use in custom-depth cabinets
- VSBL2124 can be trimmed to fit VSB2121 or VSB2421
- VSBL2730 can be trimmed to fit VSB2721 or VSB3021
- VSBL3336 can be trimmed to fit VSB3321 or VSB3621

## Cabinet Fronts Only (CFO)

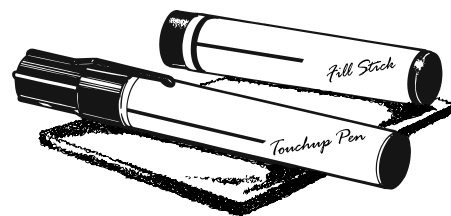


Most Tall cabinets can be ordered as "Cabinet Fronts Only". Face frame, doors, hinges and bumpers will be supplied and shipped loose.

Please consult CFO availability guide on page 64.

## Touch-Up Kit

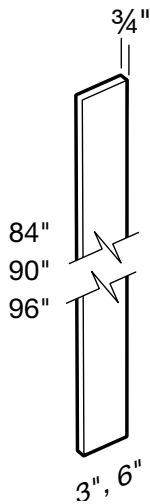
**TUK**



- Includes fill stick, touch-up pen, and 4 door bumpers

# Accessories

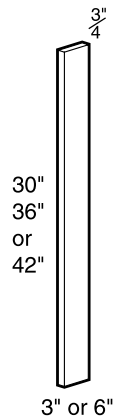
## Tall Filler Strips



**FS84**  
**FS90**  
**FS96**  
**FS696**

- 3/4" Thick solid wood
- Face and all edges finished
- Available in all melamine door finishes

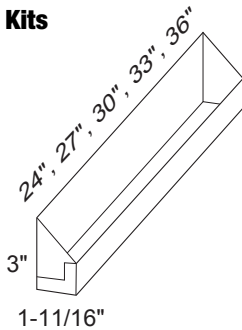
## Filler Strip



**FS30** **FS630**  
**FS36** **FS636**  
**FS42** **FS642**

- 3/4" Thick
- Durable 2 sided melamine finish fused to Furniture Grade particleboard
- Edgebanded on 2 long sides
- Available in all melamine door finishes

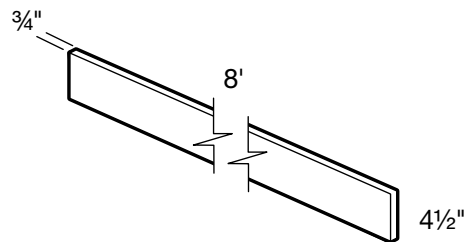
## Tilt-out Tray Kits



**SBTOTK24**  
**SBTOTK27**  
**SBTOTK30**  
**SBTOTK33\***  
**SBTOTK36\***

- Kit attaches to sink base false drawer front to create tilt-out drawer
- Holds sponges, scouring pads, dish soaps, etc.
- Stainless steel construction
- Field installed prior to countertop
- \* Two trays included to fit double false fronts

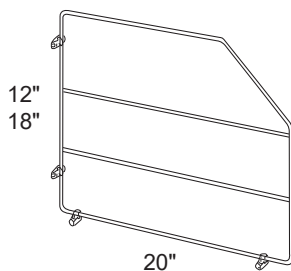
## 8' Matching Toe Kick – Matches Door Finish



**TKFS8**

- Durable 2 sided melamine fused to Furniture Grade particleboard
- Face and two long edges are edgebanded
- Available in all melamine door finishes
- Field modified and installed
- TKFS8 designed to match finish of the doors

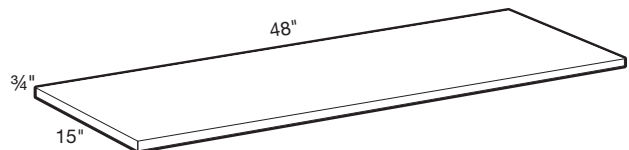
## Tray Dividers



**TD12CR**  
**TD18CR**

- Available in 12" & 18" heights
- Chrome finish
- Stores baking sheets, serving dishes, etc.
- Comes with 4 clips & fasteners
- Attaches to cabinet middle or bottom shelf
- Field installed
- Not for use in custom-depth cabinets

## 48" Wide Shelf

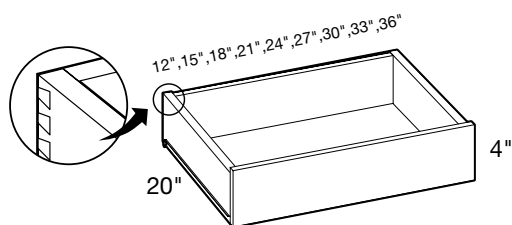


**S4815**

- 3/4" Thick, durable 2 sided melamine finish fused to Furniture Grade particleboard
- Edgebanded on all 4 sides
- Matches door finish



## Rollout Tray Kits



**ROT12 ROT18 ROT24 ROT30 ROT36**  
**ROT15 ROT21 ROT27 ROT33**

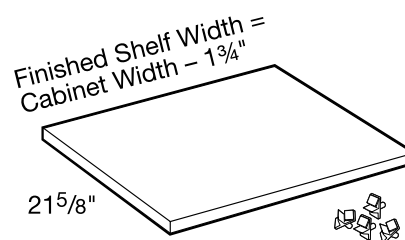
**NOTE:** Roll out trays not available for Vanity Linen Cabinets or reduced depth cabinets.

**NOTE:** The roll out trays are natural birch in color and will not be color matched if added to a PFG or No door cabinet with matching interior.

- 5/8" Solid wood dovetail construction
- Consult availability guide
- Includes 3/4 extension epoxy coated smooth-glide edge mounted runners
- 75 lb. load capacity
- Available for use base and tall cabinets
- Field-install into factory pre-drilled locations only
- Not for use in custom-depth cabinets or Open Shelf Cabinets

ROLL-OUT TRAY KIT AVAILABILITY GUIDE		
PART#	DESIGNED TO FIT	ACTUAL WIDTH
ROT12	B12, B12FH	8"
ROT15	B15, B15FH	11"
ROT18	B18, B18FH, U182484 / 90 / 96	14"
ROT21	B21, B21FH	17"
ROT24	B24, B24FH, SB24, U242484 / 90 / 96	20"
ROT27	B27, B27FH, SB27	23"
ROT30	B30, B30FH, SB30	26"
ROT33	B33, B33FH, SB33	29"
ROT36	B36, B36FH, SB36	32"

## Base Cabinet Shelf Kits



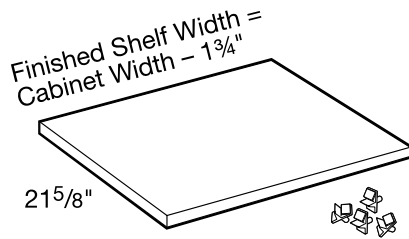
**SK1224 SK2124 SK2724 SK3324**  
**SK1524 SK2424 SK3024 SK3624**  
**SK1824**

- 3/4" Thick plywood faced with light birch veneer finish
- Edgebanded on front edge
- One shelf and set of clips per kit
- Consult availability guide

SHELF KIT AVAILABILITY GUIDE		
PART#	DESIGNED TO FIT	ACTUAL WIDTH
SK1224	B12, B12FH	10 1/4"
SK1524	B15, B15FH	13 1/4"
SK1824	B18, B18FH, U182484/96	16 1/4"
SK2124	B21, B21FH	19 1/4"
SK2424	B24, B24FH, SB24, U242484 / 90 / 96	22 1/4"
SK2724	B27, B27FH, SB27	25 1/4"
SK3024	B30, B30FH, SB30, BBCU39	28 1/4"
SK3324	B33, B33FH, SB33, OC332484U / 90U / 96U	31 1/4"
SK3624	B36, B36FH, SB36, BBCU42	34 1/4"

# Accessories

## Matching Interior Base Cabinet Shelf Kits

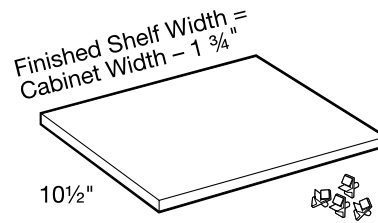


**SK1224MI SK2124MI SK3024MI**  
**SK1524MI SK2424MI SK3324MI**  
**SK1824MI SK2724MI SK3624MI**

- Shelf kits match face frame, not door
- 3/4" Thick plywood faced with light birch veneer finish
- Edgebanded on front edge
- One shelf and set of clips per kit
- Consult availability guide

SHELF KIT AVAILABILITY GUIDE		
PART#	DESIGNED TO FIT	ACTUAL WIDTH
SK1224MI	B12ND	10 1/4"
SK1524MI	B15ND	13 3/4"
SK1824MI	B18ND	16 1/4"
SK2124MI	B21ND	19 1/4"
SK2424MI	B24ND	22 1/4"
SK2724MI	B27ND	25 1/4"
SK3024MI	B30ND	28 1/4"
SK3324MI	B33ND	31 1/4"
SK3624MI	B36ND	34 1/4"

## Wall Cabinet Shelf Kits

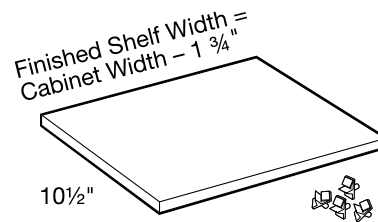


**SK1212 SK2112 SK3012**  
**SK1512 SK2412 SK3312**  
**SK1812 SK2712 SK3612**

- 3/4" thick plywood with light birch veneer finish
- Edgebanded on front edge
- One shelf and set of clips per kit

**EXAMPLE: 36" wide wall cabinet uses SK3612**

## Matching Interior Wall Cabinet Shelf Kits

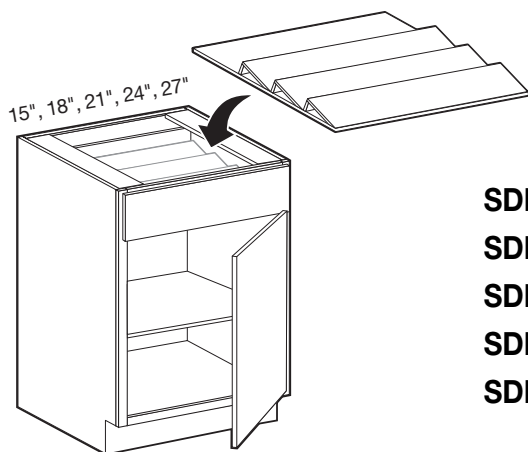


**SK1212MI SK2112MI SK3012MI**  
**SK1512MI SK2412MI SK3312MI**  
**SK1812MI SK2712MI SK3612MI**

- Shelf kits match face frame, not door
- 3/4" thick plywood with light birch veneer finish
- Edgebanded on front edge
- One shelf and set of clips per kit

**EXAMPLE: 36" wide wall cabinet uses SK3612**

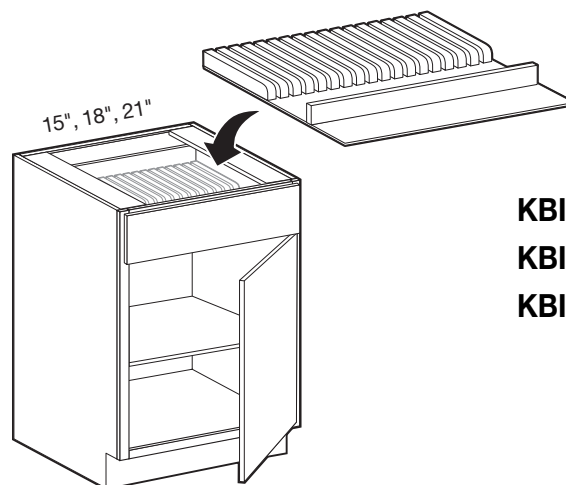
## Spice Drawer Insert



**SDI15**  
**SDI18**  
**SDI21**  
**SDI24**  
**SDI27**

- Solid hardwood drawer insert
- Three 5" high angled tiers
- Rear 4" deep compartment
- Sized to fit inside 15", 18", 21", 24", 27" wide drawers
- Not for use in custom-depth cabinets

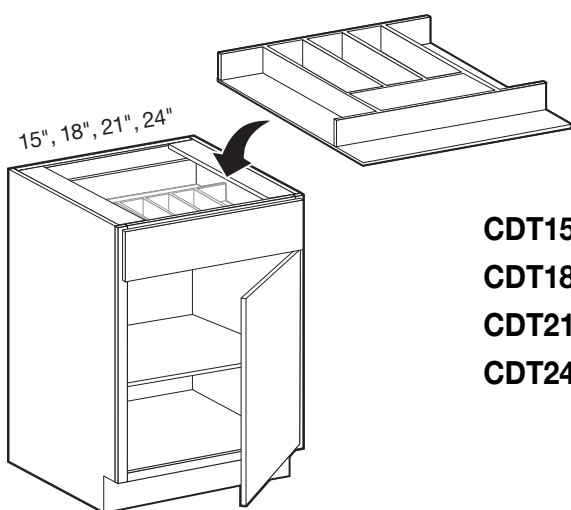
## Knife Block Insert



**KBI15**  
**KBI18**  
**KBI21**

- Solid hardwood drawer insert
- One full width front utensil compartment
- KBI15:** 10 knife slots + utensil compartment (fits B15, BD15)
- KBI18:** 13 knife slots + utensil compartment (fits B18, BD18, B36, BD36)
- KBI21:** 16 knife slots + utensil compartment (fits B21)
- Not for use in custom-depth cabinets

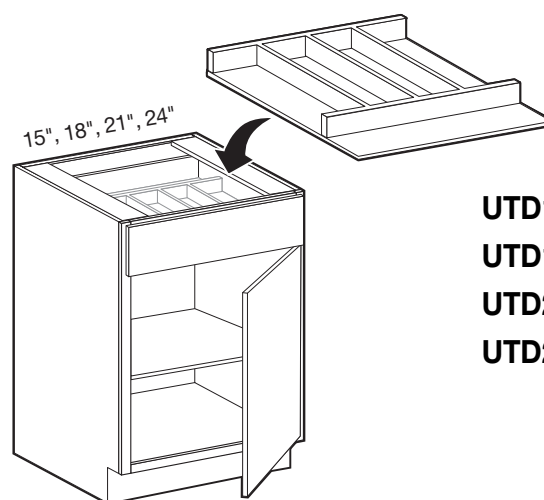
## Cutlery Divider Tray



**CDT15**  
**CDT18**  
**CDT21**  
**CDT24**

- Solid hardwood drawer insert
- One full width front utensil compartment
- CDT15:** 6 compartments 10"-14" deep (fits B15, BD15)
- CDT18:** 6 compartments 10"-14" deep (fits B18, BD18, B36, BD36)
- CDT21:** 8 compartments 10"-14" deep (fits B21)
- CDT24:** 8 compartments 10"-14" deep (fits B24, BD24)
- Not for use in custom-depth cabinets

## Utensil Divider Tray



**UTD15**  
**UTD18**  
**UTD21**  
**UTD24**

- Solid hardwood drawer insert
- One full width front utensil compartment
- UTD15:** 2 additional compartments 16" deep (fits B15, BD15)
- UTD18:** 4 additional compartments 16" deep (fits B18, BD18, B36, BD36)
- UTD21:** 5 additional compartments 16" deep (fits B21)
- UTD24:** 5 additional compartments 16" deep (fits B24, BD24)
- Not for use in custom-depth cabinets

# Decorative Hardware



- Euro railing pull
- Brushed nickel

## DH45-100 - 7" Euro Pull

3 $\frac{3}{4}$ " center (96mm)

## DH45-102 - 10" Euro Pull\*

6-15/16" center (176mm)

## DH45-104 - 13" Euro Pull\*

9 $\frac{3}{4}$ " center (248mm)

**DESIGN TIP:** Make sure to double check the length of drawer/door to ensure pull will fit the cabinet



- Brushed steel

## DH44-346 - 8" Square Bar Pull

7 $\frac{1}{2}$ " center (196mm)

## DH44-348 - 9" Square Bar Pull

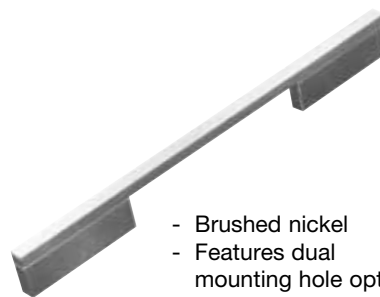
8-13/16" center (224mm)

## DH44-350 - 13" Square Bar Pull\*

12-5/8" center (320mm)

## DH44-352 - 19" Square Bar Pull\*

18-7/8" center (480mm)



- Brushed nickel
- Features dual mounting hole options

## DH116-120 - 10" Quadra Pull

5" inside center (128mm)

8-13/16" outside center (224mm)

## DH116-122 - 11" Quadra Pull

6-5/16" inside center (160mm)

10-1/16" outside center (256mm)

## DH116-126 - 14" Quadra Pull

8-13/16" inside center (224mm)

12-5/8" outside center (320mm)

## DH116-134 - 20" Quadra Pull\*

15-1/8" inside center (384mm)

18-7/8" outside center (480mm)

## DH116-136 - 24" Quadra Pull\*

18-7/8" inside center (480mm)

22-11/16" outside center (576mm)

\* Due to the overall length of this hardware, it is not compatible with drilling template HDWE TEMPLATE-AW.

# Decorative Hardware



**DH43-826**

- Elongated oval knob
- Antique pewter
- 2" length



**DH43-630**

- Elongated oval knob
- Oiled bronze
- 2" length



**DH43-618**

- Octagon knob
- Oiled bronze
- 1-3/8" diameter



**DH43-828**

- Classic pull
- Antique pewter
- 3-3/4" center (96mm)
- 4-3/4" outside length



**DH43-632**

- Classic pull
- Oiled bronze
- 3-3/4" center (96mm)
- 4-3/4" outside length



**DH43-614**

- Traditional pull
- Oiled bronze
- 3-3/4" center (96mm)
- 4-1/2" outside length



**DH43-824**

- 1" Back plate for **DH43-828**
- Antique pewter
- 3-3/4" center (96mm)
- 5-1/4" outside length



**DH43-628**

- 1" Back plate for **DH43-632**
- Oiled bronze
- 3-3/4" center (96mm)
- 5-1/4" outside length



**DH43-628**

- 1" Back plate for **DH43-614**
- Oiled bronze
- 3-3/4" center (96mm)
- 5-1/4" outside length



**DH43-820**

- Screw-head cup pull
- Antique pewter
- 2-1/2" center (64mm)
- 4-1/8" outside length



**DH43-624**

- Screw-head cup pull
- Oil rubbed bronze
- 2-1/2" center (64mm)
- 4-1/8" outside length



**DH43-624**

- Screw-head cup pull
- Oil rubbed bronze
- 2-1/2" center (64mm)
- 4-1/8" outside length



**DH99-188**

- Round knob
- Brushed nickel
- 1-1/4" diameter



**DH93-152**

- Raised mitered knob
- Antique pewter
- 1-3/8" square



**DH43-124**

- Octagon knob
- Antique silver
- 1-3/8" diameter



**DH99-128**

- Contemporary bow pull
- Brushed nickel
- 3-3/4" center (96mm)
- 5-1/4" outside length



**DH93-112**

- Raised mitered pull
- Antique pewter
- 3-3/4" (96mm) & 5" (128mm) center
- 6-3/8" outside length



**DH43-114**

- Traditional pull
- Antique silver
- 3-3/4" center (96mm)
- 4-1/2" outside length

# Decorative Hardware

**DH65-200**



- Birdcage knob
- Antique iron
- 2-1/2" length

**DH88-104**



- Arrowhead knob
- Antique pewter
- 3-1/2" length

**DH65-120**



- Birdcage pull
- Antique iron
- 3-3/4" center (96mm)
- 4" outside length

**DH88-110**



- Arrowhead pull
- Antique pewter
- 5" center (128mm)
- 7-1/2" outside length

**DH95-144**



- Square dimpled knob
- Matte nickel
- 1-1/4" square

**DH87-102**



- Square ribbed knob
- Brushed nickel
- 1" square

**HDWE TEMPLATE-AW**

**Hardware Drilling Template**

Align with door frame to quickly and accurately mark hole locations.



**DH95-104**



- Square dimpled pull
- Matte nickel
- 6-5/16" center (160mm)
- 7-1/2" outside length

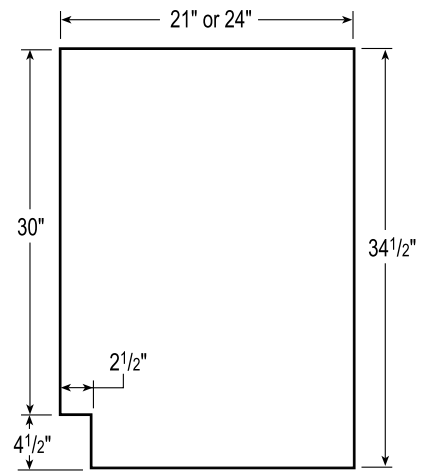
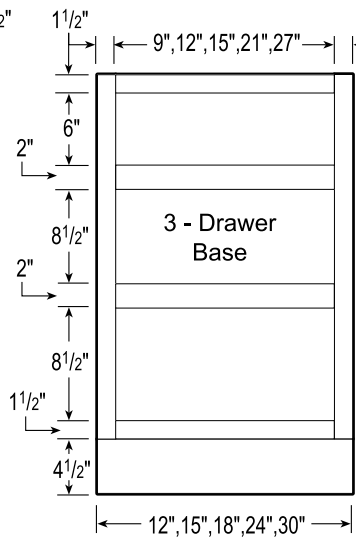
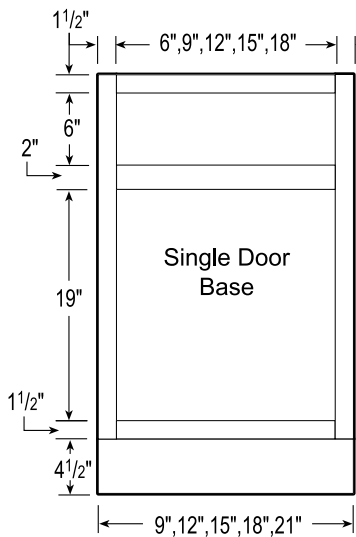
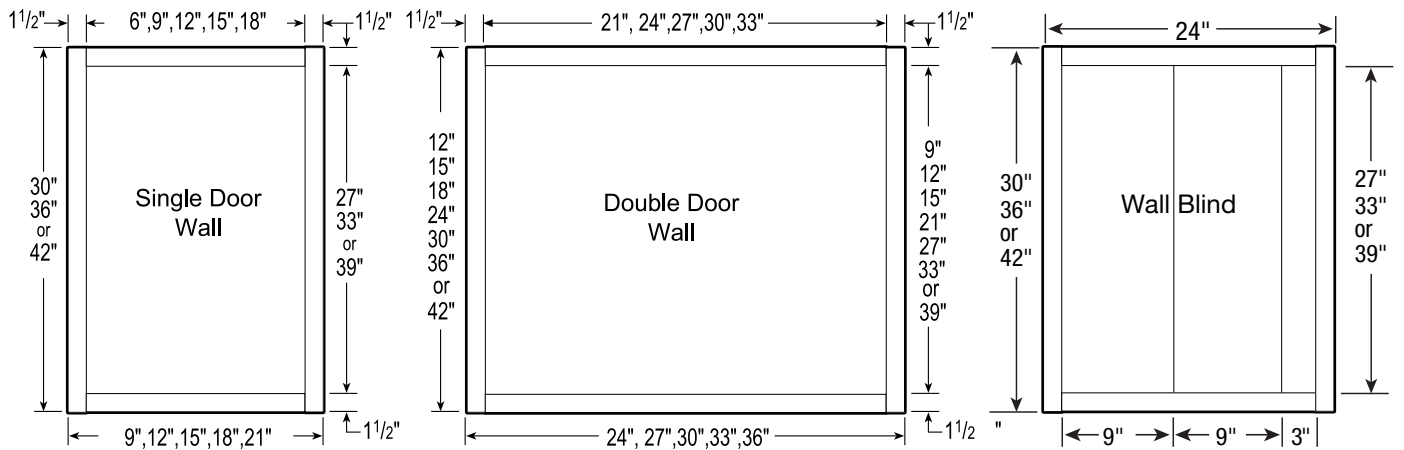
**DH87-112**



- Ribbed bow pull
- Brushed nickel
- 3-3/4" center (96mm)
- 4-11/16" outside length

**NOTE:** Refer to the individual decorative hardware size specifications to determine compatibility with this template.

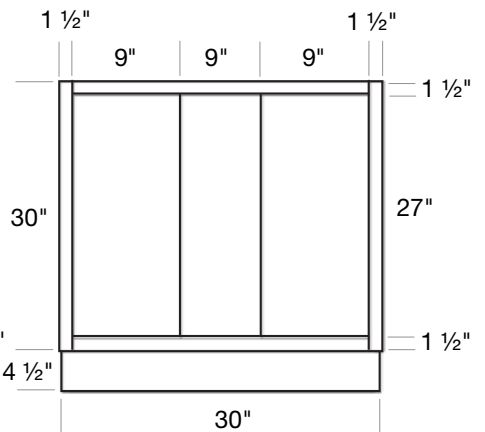
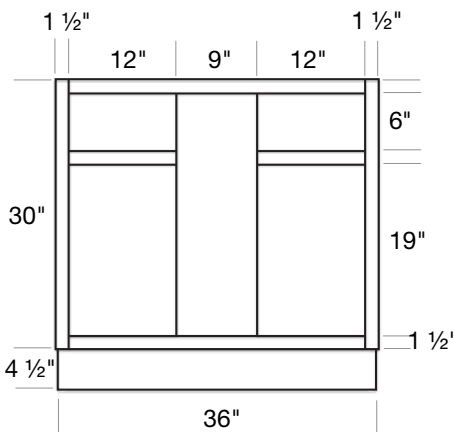
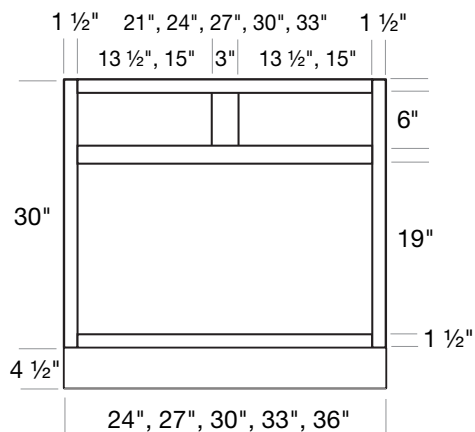
# Cabinet Frame & Opening Dimensions



Double Door Base

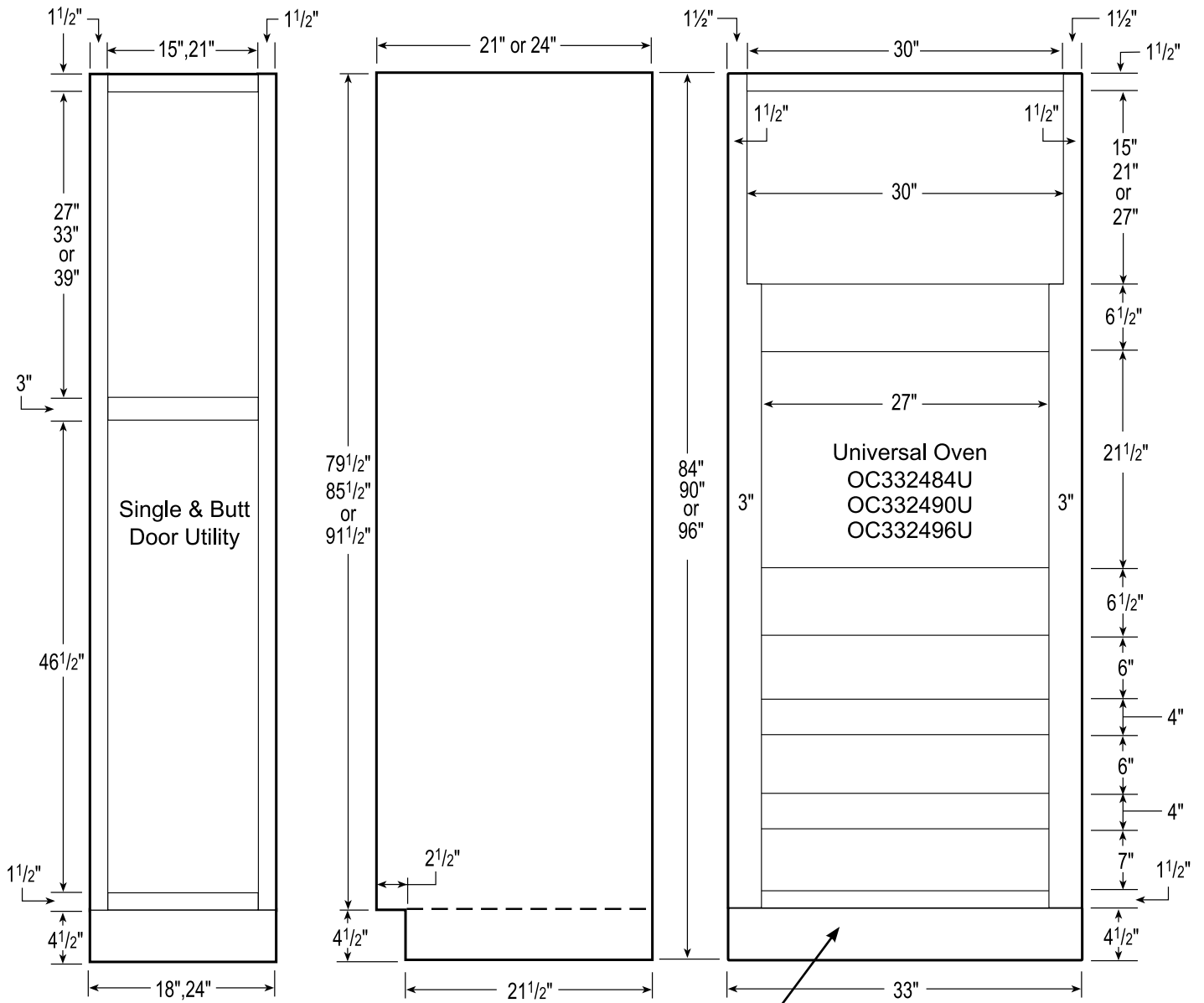
BBCU42

BBCU39



NOTE: B27, B30 have full width drawers

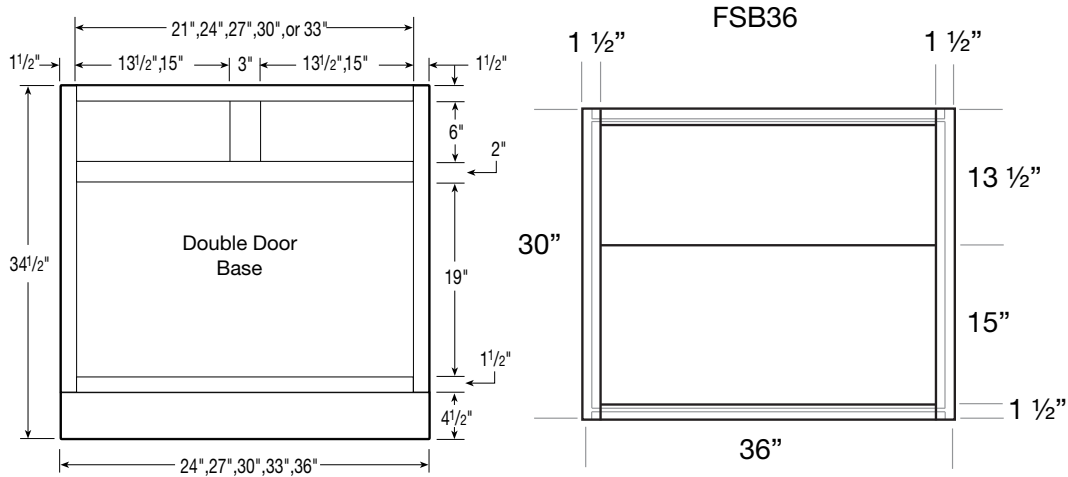
# Cabinet Frame & Opening Dimensions



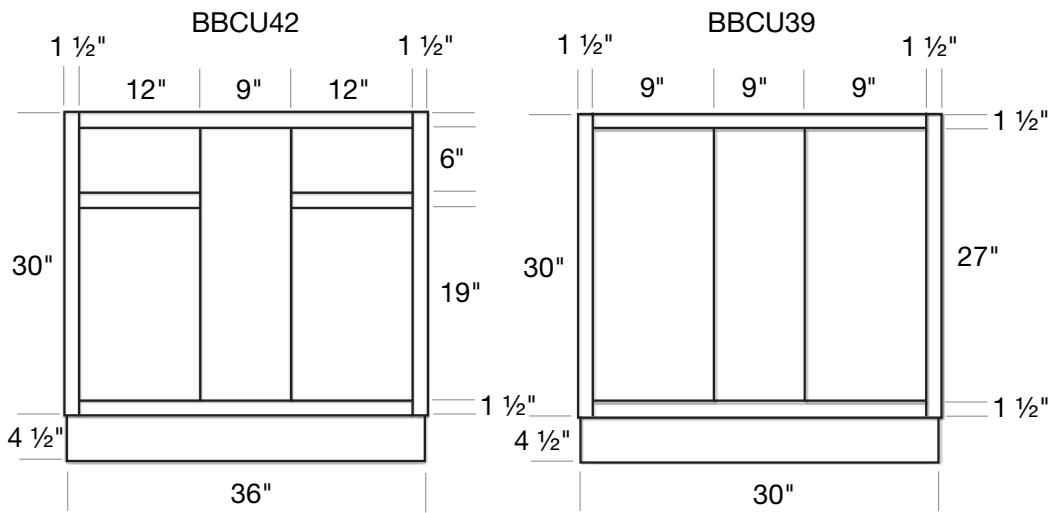
**NOTE: 96" TALL CABINETS ARE SUPPLIED WITH LOOSE TOE KICK BOX (EXPOSED SIDES REQUIRE TSK96)**



# Cabinet Frame & Opening Dimensions

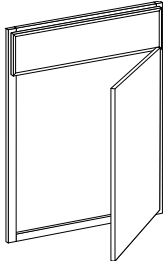


NOTE: B27, B30 have full width drawers



DRAWER BOX INSIDE DIMENSIONS						
CABINET	SHALLOW DRAWER			DEEP DRAWER		
	HEIGHT	DEPTH	WIDTH	HEIGHT	DEPTH	WIDTH
B12, BD12	4-3/8"	19-11/16"	6-7/8"	6-3/4"	19-11/16"	6-7/8"
VB1221, VBD1221	4-3/8"	16-11/16"	6-7/8"	6-3/4"	16-11/16"	6-7/8"
B15, BBCU42, BD15	4-3/8"	19-11/16"	9-7/8"	6-3/4"	19-11/16"	9-7/8"
VB1521, VBD1521	4-3/8"	16-11/16"	9-7/8"	6-3/4"	16-11/16"	9-7/8"
DDO15, DDR15	4-3/8"	19-11/16"	9-7/8"	N/A	N/A	N/A
B18, BD18	4-3/8"	19-11/16"	12-7/8"	6-3/4"	19-11/16"	12-7/8"
VB1821, VBD1821	4-3/8"	16-11/16"	12-7/8"	6-3/4"	16-11/16"	12-7/8"
B21	4-3/8"	19-11/16"	15-7/8"	N/A	N/A	N/A
B24, BD24	4-3/8"	19-11/16"	18-7/8"	6-3/4"	19-11/16"	18-7/8"
VB2421	4-3/8"	16-11/16"	18-7/8"	N/A	N/A	N/A
B27	4-3/8"	19-11/16"	21-7/8"	N/A	N/A	N/A
B30, BD30	4-3/8"	19-11/16"	24-7/8"	6-3/4"	19-11/16"	24-7/8"
VB3021	4-3/8"	16-11/16"	24-7/8"	N/A	N/A	N/A
B33	4-3/8"	19-11/16"	11-1/4"	N/A	N/A	N/A
B36, BD36	4-3/8"	19-11/16"	12-7/8"	6-3/4"	19-11/16"	30-7/8"
VB3621	4-3/8"	16-11/16"	12-7/8"	N/A	N/A	N/A
OC332484U, OC332490U, OC332496U	4-3/8"	19-11/16"	24-7/8"	N/A	N/A	N/A

# CFO - Cabinet Fronts Only - Availability Guide



- Most cabinets can be ordered as "Cabinet Fronts Only" (CFO)
- Face frames, doors, hinges, and bumpers will be supplied and shipped loose
- Doors are pre-drilled for hinge installation
- In addition, plastic corner blocks will be supplied for false front installation requirements

CABINET	CFO CABINET FRONT
W0930	CFOW0930
W0936	CFOW0936
W0942	CFOW0942
W1230	CFOW1230
W1236	CFOW1236
W1242	CFOW1242
W1530	CFOW1530
W1536	CFOW1536
W1542	CFOW1542
W1830	CFOW1830
W1836	CFOW1836
W1842	CFOW1842
W2130	CFOW2130
W2136	CFOW2136
W2142	CFOW2142
W2412	CFOW2412
W2418	CFOW2418
W2430	CFOW2430
W2436	CFOW2436
W2442	CFOW2442
W2730	CFOW2730
W2736	CFOW2736
W2742	CFOW2742
W3012	CFOW3012
W3015	CFOW3015
W3018	CFOW3018
W3024	CFOW3024
W3030	CFOW3030
W3036	CFOW3036
W3042	CFOW3042
W3315	CFOW3315
W3330	CFOW3330
W3336	CFOW3336
W3342	CFOW3342
W3612	CFOW3612
W3615	CFOW3615
W3618	CFOW3618
W3624	CFOW3624
W3630	CFOW3630

CABINET	CFO CABINET FRONT
W3636	CFOW3636
W3642	CFOW3642
B09FH	CFOW0930
B12	CFOB12
B12FH	CFOW1230
B15	CFOB15
B15FH	CFOW1530
B18	CFOB18
B18FH	CFOW1830
B21	CFOB21
B21FH	CFOW2130
B24	CFOB24
B24FH	CFOW2430
B27	CFOB27
B27FH	CFOW2730
B30	CFOB30
B30FH	CFOW3030
B33	CFOB33
B33FH	CFOW3330
B36	CFOB36
B36FH	CFOW3630
BD12	CFOBD12
BD15	CFOBD15
BD18	CFOBD18
BD24	CFOBD24
BD30	CFOBD30
BD36	CFOBD36
EZR33	CFOEZR33
EZR36	CFOEZR36
FSB36	CFOF36
OC3384	CFOOC3384
OC3390	CFOOC3390
OC3396	CFOOC3396
U1884	CFOU1884
U1890	CFOU1890
U1896	CFOU1896
U2484	CFOU2484
U2490	CFOU2490
U2496	CFOU2496





idealcabinetry.com  
866-367-2516



SEMI-CUSTOM  
KITCHEN & BATH CABINETRY

