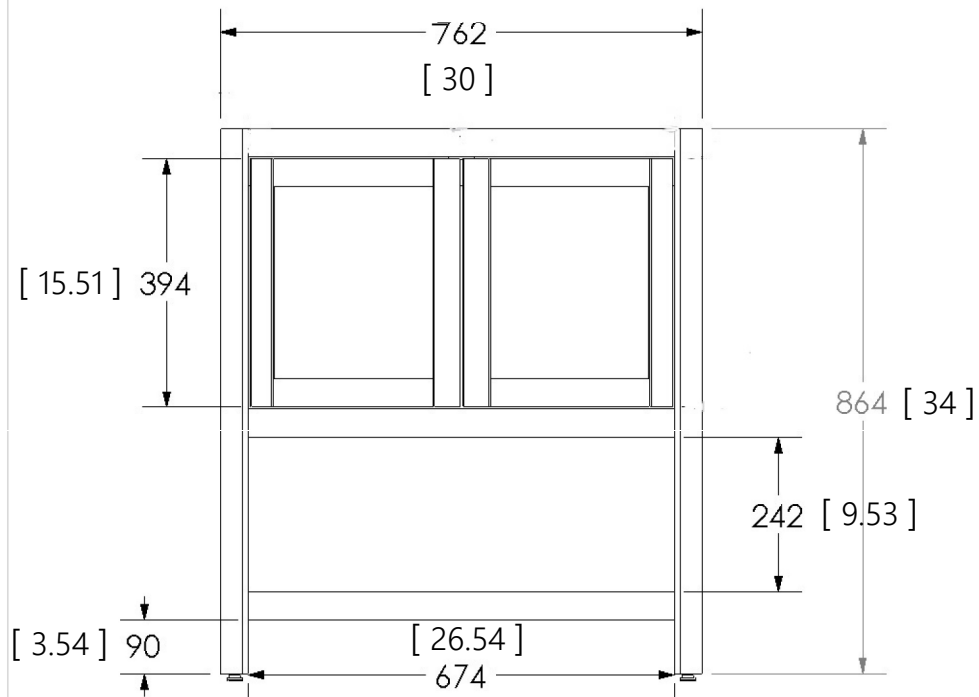
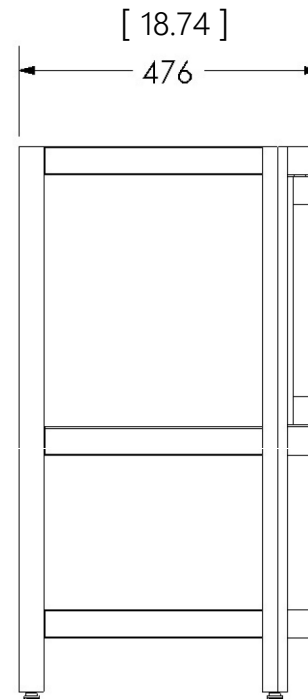


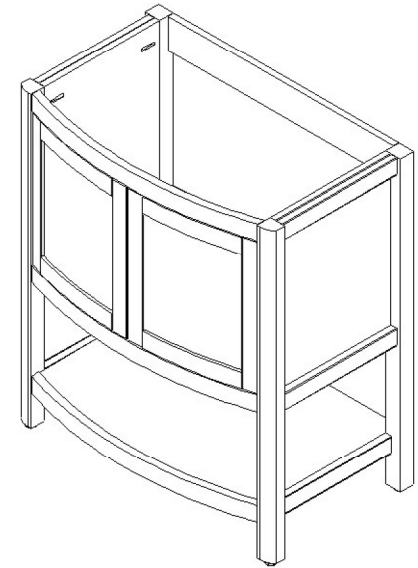
Superior



Frontal



Lateral



Isometric