

# CABNOVA

342 W Plymouth St Bremen, IN 46506  
customerservice@hardwoodinterior.com



## 2025 SPECIFICATIONS GUIDE



## INDEX

Item	SKU	Page
Base Angle End _____	AEB24 _____	75
Base Cabinet _____	B _____	58
Base Cabinet and Vanity Cabinet with Bottom Drawer Modification _____	REVERSE _____	117
Base Corner End _____	BEC24B _____	75
Base Shoe Molding _____	SM, FSM _____	125
Base Sink Front _____	SF _____	63
Base Trash Pull Out _____	B_BIN1, B_BIN2 _____	70
Base Tray Divider _____	TB_DIV2 _____	73
Batten Molding _____	BM _____	124
Bench Cabinet _____	BENCH1D - BENCH5D _____	108
Blind Corner Base Cabinet _____	BBC _____	66
Blind Corner Wall Cabinets _____	WBC _____	36 - 37
Bookcase Cabinet Tall _____	BC MI _____	107
Bracket _____	WSB _____	128
Construction _____		9
Convert Shelf to Shelf and Rail _____	SR _____	119
Corbel _____	CORBEL _____	128
Corner Fillers _____	BCF _____	137
Countertop Bookcase Wall _____	HUT MI _____	104
Countertop Bookcase with Doors Wall _____	HUTD MI _____	105 - 106
Cove Molding _____	SCOVE, LCOVE, XLCOVE _____	122
Crown Molding _____	CM, LCM, XLCM _____	122
Decorative Wainscot Panel _____	DWSP _____	142
Deep Wall Cabinet _____	W _____	34 - 35
Desk Base _____	VB DH _____	109
Desk Drawer _____	VK _____	111
Desk Three Drawer File _____	V3D DH _____	110
Desk Two Drawer File _____	V2D DH _____	110
Diagonal Corner Base _____	DC _____	67
Diagonal Corner Wall Cabinet _____	DWA, DWALS _____	38
Diagonal End Wall _____	WEC _____	49
Diagonal Sink Front _____	DSF _____	64
Diagonal Wine Wall _____	WDW MI _____	48
Diagonal Wine Rack Base _____	BDW MI, BDWP MI _____	76
Dimension Modifications - Depth _____	RD, ID _____	115
Dimension Modifications - Height _____	RH, IH _____	115
Dimension Modifications - Width _____	RW, IW _____	115
Door and Drawer Reveals _____		13
Door Applied - Loose _____	DWP, DBP, DVP, DDP, DTP _____	143
Door Bumpers _____	BUMPERS _____	133
Door Only _____	DR, DF _____	128
Door Style Chart _____		12
Doors _____		15 - 20

## INDEX

Item	SKU	Page
Drawer Front 5-Piece _____	5PIECE _____	120
Drawer Front Only _____	DF _____	128
Drawer Guides _____	SLIDE SET UNDER _____	133
Edge Profiles _____		12
End Panels _____	WEP, BEP, VEP, DEP, TEP _____	139
Extended Side Back _____	EXSIDE _____	114
Extended Stile _____	EXST _____	114
Extended Stile Down _____	EXD _____	118
Face Frame and Door _____	_FFD _____	117
False Front Clip _____	_FALSEFRONT_CLIP _____	133
Fillers _____	WF, BF, VF, DF, TF _____	136
Finish Chart _____		24
Finished Ends _____	FE _____	114
Floating Shelves _____	FLSH _____	129
Floating Vanity Cabinet Full Height Door Sink Base _____	FLVSBFH _____	98
Floating Vanity Three Drawer Base _____	FLV3D _____	98
Floating Vanity Two Drawer Base _____	FLV2D _____	98
Flush Finished Ends _____	FFE _____	114
Flush Toe Kick _____	FTK _____	118
Fluted Fillers _____	WFMFLUTE, BFMFLUTE, VFMFLUTE, DFMFLUTE, TMFLUTE _____	137
Four Drawer Base _____	B4D _____	61
Full Depth Shelf for Base Cabinet _____	FDSH _____	119
Full Height Door Base _____	BFH _____	59
Furniture Base Molding _____	BBM, SBBM _____	125
Hinges _____	HINGES_SOFT_FOL_PAIR _____	134
Hinges - Lazy Susan _____	LSHINGE-SIDE, LSHINGE_CENTER _____	134
Hood - Box Straight _____	HOODBOX _____	52
Hood - Box Ship Lap with Block Trim _____	HOODSHIPBOXBT _____	52
Hood - Curved Hood with Block Trim _____	HOODCUVBT _____	53
Hood - Curved Hood with Classic Trim _____	HOODCUVCT _____	53
Hood - Tapered Hood with Block Trim _____	HOODTPRBT _____	54
Hood - Tapered Hood with Classic Trim _____	HOODTPRCT _____	54
Hood - Ventilation _____		55
Inside Corner Molding _____	IC _____	124
Matching Finished Interior _____	MI _____	119
Microwave Base _____	BMW MI _____	69
Microwave Wall _____	MWW BMI _____	40
Microwave Wall with Shelf _____	MWW BEXSMI _____	41
Movable Island - Open Shelf - Beveled Post _____	ISLAND-OPSLF-TAPLG- _____	112
Movable Island - Open Shelf - Square Post _____	ISLAND-OPSLF-SQL6- _____	112
Movable Island - Two Drawer _____	ISLAND _____	112
Movable Island - Wine Shelf - Beveled Post _____	ISLAND-WINC-TAPLG- _____	112
Movable Island - Wine Shelf - Square Post _____	ISLAND-WINC-SQL6- _____	112

## INDEX

Item	SKU	Page
Omit Door	ND	116
Omit Drill Holes	ODH	119
Omit Shelves	OS	119
Omit Toe Kick	NTK	118
Open End Wall	WEOS	49
Outside Corner Molding	OC, LOC	124
Overlay Fillers	OF, BOF, VOF, DOF, TOF	138
Panels - 1/4" Thick	P	141
Panels - 1/2" Thick	5_PANEL_	141
Panels - 3/4" Thick	BEP75_PANEL, 75_PANEL_	141
Peninsula	_P	116
Peninsula Starter Base Cabinet	PBCC	68
Plywood Skin	WES, BES, VES, DES, TES	144
Posts	SQPOST	126
Prepare Door for Glass	GP	116
Prepare Door for Glass with Mullions	GPMU	116
Pull-Out Storage	POSC, BCSC	132
Pull-Out Storage Base Cabinet	BFH_BCSC	74
Recessed Toe Kick	RTK	118
Roll-Out Base Cabinet	B_ROS1, B_ROS2	71 - 72
Roll-Out Shelves	ROS	131
Screws	DRFRONT SCREW, HINGE SCREW, SLIDE SCREW	133
Scribe Molding	SCM	124
Shaker Molding	SHCM, XLSHCM	122
Shelf Clips	SHELFCLIPS, SHELFCLIPS_NO_LOCK	133
Shelves	SH	130
Sherwin Williams Patch Match Program		25
Ship Toe Kick Loose	STKL	118
Sink Base Cabinet	SB	62
Sink Base Farm Sink	FSB	65
Sink Floor	SFF, SFF MI	64
Solid Stock	SS, SSXL	127
Square Corner Base	SSCB	67
Square Corner Lazy Susan Base	SLS	67
Square Corner Wall	SCW	39
Stacked Wall Cabinet	WST	42 - 43
Stacked Wall Cabinet Modification	_12T, _15T, _21T, _24T	117
Starter Molding	SM	123
Stain	QSTAIN	134
Stain - Paint	QPAINT	134
Tall Cabinet	T	80
Tall Double Oven Cabinet	OV B	82
Tall Linen Cabinet	T	99

## INDEX

Item	SKU	Page
Tall Oven Cabinet with 2 Drawers _____	OV2D B _____	84
Tall Shallow Depth Tall Cabinet _____	T _____	81
Tall Single Oven Cabinet _____	SOV B _____	83
Tall Three Drawer Linen Cabinet _____	T3D _____	100
Tall Three Drawer Tall Cabinet _____	T3D _____	85
Three Door Option _____	3D _____	117
Three Drawer Base Cabinet _____	B3D _____	60
Tilt-Out _____	TOST _____	132
Toe Kick _____	TK _____	125
Top Coat _____	TOPCOAT_CAN _____	134
Touch Up Kit _____	TUK _____	134
Transitional End Base _____	AB _____	75
Trash Pull Out Kits _____	BIN1_, BIN2_ _____	131
Two Drawer Base _____	B2D _____	60
Two Sided End Panels _____	WEP2S, BEP2S, VEP2S, DEP2S, TEP2S _____	140
Under Cabinet Molding _____	CBLR, TLR, LR _____	123
Valances _____	VAL, A-VAL _____	126
Vanity Sink 6 Drawer Cabinet _____	VS6D, VS6D BH _____	96
Vanity Base Cabinet _____	VB, VB BH _____	88
Vanity Double Sink 3 Drawer Cabinet _____	VCD, VCD BH _____	97
Vanity Three Drawer Cabinet _____	V3D, V3D_2DRW, V3D BH, V3D_2DRW BH _____	90
Vanity Full Height Door Cabinet _____	VFH, VFH BH _____	89
Vanity Full Height Door Sink Cabinet _____	VSBFH, VSBFH BH _____	92
Vanity Sink 2 Drawer Cabinet _____	VS2D, VS2D BH _____	95
Vanity Sink Cabinet _____	VSB, VSB BH _____	91
Vanity Sink Combination Cabinet _____	VSC, VSC BH _____	94
Vanity Sink Front _____	VSF _____	93
Vanity Wall Open Shelf _____	VM BMI _____	101
Wall Cabinet _____	W _____	28 - 33
Wall Cabinet with Drawer _____	W_1DRW, W_2DRW _____	44 - 45
Warranty _____		8
Wide Top Rail _____	TOPREV_1 _____	115
Wine Cube Cabinet _____	WCUBE _____	46
Wood Species and Upcharges _____		10
Wood Tops _____	WT, WTNS _____	127
X Wine Wall Cabinet _____	WXW _____	47

# SPECIFICATIONS

## Specifications Index

Item	Page
Construction _____	9
Warranty _____	8
Wood Species and Upcharges _____	10

# SPECIFICATIONS

## Lifetime Limited Warranty

Lifetime Limited Warranty on CABNOVA Cabinets. Hardwood Interior Design, LLC (hereinafter HID) warrants to original purchaser that all components of HID'S CABNOVA cabinetry shall be free from defects in material and workmanship under normal use. This warranty is only applicable to CABNOVA products used in standard North American residential applications and is not transferable.

Should defects in material or workmanship exist during the applicable warranty period in any CABNOVA product, HID will elect at its discretion to either repair or replace the defective material or component free of charge. This warranty covers only parts and materials of the products supplied by HID. Not covered under this warranty are countertops, appliances, plumbing fixtures, etc. or the costs, including labor, to remove and reinstall materials and related components such as fittings, appliances, etc. This warranty shall become void if the cabinets are in any way modified, improperly installed or damaged prior to or during the installation. This limited warranty applies only in the case of the standard residential application in the United States and is void for all other applications. Furthermore, this warranty will not apply to cabinets damaged by misuse, neglect, abuse, acts of God, exposure to extreme temperatures, the effects of normal wear and tear or exposure to moisture including, but not limited to, excessive or continued exposure to moisture as a result of leakage, improper plumbing, flooding, etc.

Hardwoods may vary in color, characteristics and exhibit subtle changes as they age. Sunlight, smoke, household cleaners and other environmental conditions may also affect the color match over time. These variations are considered the nature of the material in relation to their environmental exposure and are not covered under this warranty.

Hardwoods will expand and contract physically when environmental changes occur in the normal setting of one's kitchen. Changes in temperature, humidity, or prolonged moisture will cause normal "movement" in hardwood products. Hairline cracks or separation may appear consequently becoming visible over joint areas. Painted face frames, doors and other painted products (doors) may develop joint separation and visible cracks. Visual variations such as these are considered normal and customary in our industry. Characteristics developing from the materials used constructing HID relative to its environment is not covered under HID's Lifetime Limited Warranty of its CABNOVA Cabinets.

HID's Lifetime Limited Warranty shall become void from the improper use of household chemicals. Alkaline-based detergents, ammonia or ammonia-based cleaners, vinegar, strong solvent cleaners; mineral spirits, paint thinner or any other harsh cleaning chemical including citrus, or citrus based or acid-based cleaners or abrasive cleaning products severely affect the finish of an HID CABNOVA cabinet.

HID reserves the right to alter design, specifications, and materials without obligation to make similar changes to products previously manufactured. Periodically HID will change the design, specifications, and materials, as conditions require and improvements developed without obligation to make similar changes to products previously manufactured. The repair(s) or replacement(s) are contingent upon the current product offerings of styles and construction options within the HID CABNOVA product line at the time of the warranty claim. If a warranty claim is filed after a product has become obsolete, or has undergone design, specification, or material changes, we reserve the right to honor the warranty in one of the following manners:

1. To replace the affected component with a new component of the same style; or
2. To replace the affected component to achieve a uniform appearance with a comparable product style.

If components are replaced, HID cannot guarantee the finish of these replacements will exactly match the finish and appearance of the components in the residential application on due to the changes that occur during hardwoods natural aging process. Imperfections are part of its inherent natural beauty. Wood varies in color and characteristics that exhibit subtle changes as it ages. For example, white-painted face frames will eventually have visible seam lines at the joint areas, and individual cabinet wood species will darken or lighten with time. Imperfections are not the result of manufacturing one's cabinets, HID's Lifetime Limited Warranty on its CABNOVA Cabinets will not cover differences in color, grain and natural variations including but not limited to those "character" imperfections indigenous to the species of hardwoods used by HID nor does it cover possible differences in color when adding new cabinetry to old.

HID does not warrant the installation of "stand alone" or independent cabinets in widths greater than thirty-six inches and depths greater than twelve inches. All cabinets regardless of design dimension or shape must be affixed to "studs", permanently fastened to interior wall, floor or ceiling joists attached to permanent structures i.e. interior partition wall or floor. **IMPORTANT:** Structural modification of a wall cabinet can significantly weaken the cabinet. For this reason, modifications are not recommended, if modification is required, the warranty of the cabinet is void and it is the responsibility of the installer to take appropriate steps to compensate for any loss of strength or support due to the modification. SEE INSTALLATION INSTRUCTIONS

THIS WARRANTY IS THE EXCLUSIVE WARRANTY OF HID'S CABNOVA PRODUCT LINE AND IS IN LIEU OF HID DISCLAIMS ALL OTHER WARRANTIES, EXPRESSED OR IMPLIED, INCLUDING THE IMPLIED WARRANTIES OF MERCHANTABILITY AND FITNESS FOR A PARTICULAR PURPOSE.

This warranty applies only to CABNOVA products manufactured or supplied by HID and does not apply to other product lines manufactured by HID. Any interpretation herein other than what is written is unwarranted.

This warranty applies only to CABNOVA products used in residential applications within the United States and is not transferable to subsequent owners. This warranty supersedes all previous warranties from the date of issuance. This warranty constitutes the exclusive remedy against HID for alleged defects in materials and workmanship of its CABNOVA product line.

This warranty gives you specific legal rights and you may have other rights, which vary from state to state. Some states do not allow the exclusion or limitation of incidental or consequential damages, so the above limitations or exclusions may not apply to you.

To obtain replacement(s) under HID'S Lifetime Limited Warranty for its CABNOVA product line, first contact your authorized HID dealer or distributor, who will arrange for inspection of the cabinet. A dated sales receipt as proof of purchase is required to obtain benefits from this warranty.



# SPECIFICATIONS

## Construction

### Back

Fully-captured 1/2" plywood, light maple veneer interior with hanging rail.

### Tops and Bottoms

1/2" plywood with light maple veneer interior.

### Adjustable Shelves

3/4" thick light maple veneer plywood shelves.

### Sides

1/2" plywood with light maple veneer interior. Matching stain or paint exterior as specified.

### Hinges

Blum 6 way adjustable soft close door hinges.

### Face Frames

3/4" thick solid wood with 1 1/2" wide stiles and rails. Face frames are assembled with adhesive and pocket screws.

### Back

Fully-captured 1/2" plywood, light maple veneer interior with hanging rail.

### Braces

Full depth I-Beam braces provide support and stability.

### Drawer Guides

Blum undermount full extension soft close drawer guides with four-dimensional adjustment.

### Adjustable Shelves

3/4" thick light maple veneer plywood shelves.

### Sides

1/2" plywood with light maple veneer interior. Matching stain or paint exterior as specified.

### Drawers

5/8" thick solid maple dovetail drawer box with 1/4" thick plywood light maple veneer bottom.

### Face Frames

3/4" thick solid wood with 1 1/2" wide stiles and rails. Face frames are assembled with adhesive and pocket screws.

### Hinges

Blum 6 way adjustable soft close door hinges.

### Toe Kicks

4 1/2" high x 3 1/2" deep.

### Floors

1/2" plywood with light maple veneer interior.

# SPECIFICATIONS

## Wood Species and Upcharges

	0%	15%
Maple	X	
Oak	X	
Quarter Sawn White Oak		X

### MAPLE

Maple is considered a premium hardwood. It features smooth texture, uniform grain, and creamy white coloring. Although Maple's coloring is consistent, it may be varied in color from creamy white to almost tan. Over time, Maple will mellow, or slightly yellow, and darken as it is exposed to sunlight.

### OAK

Red Oak is a hardwood, making it very durable and strong. Red Oak has distinctive straight and curved grain patterns which creates an arched pattern in the wood. Color range is light to medium browns, often featuring red tones. Mineral deposits are possible in Red Oak, which may create mineral streaks. Red Oak is plain sawn.

### QUARTER SAWN WHITE OAK

Quarter Sawn White Oak is a hardwood, making it incredibly durable. Quarter Sawn White Oak has a distinct straight grain pattern. Flecking across the grain is present because of the way the log is cut. White Oak is considered water and moisture resistant because of its tight wood grain. Quarter Sawn White Oak ranges in color from creamy beige to grayish brown.

# DOOR STYLES

## Door Styles Index

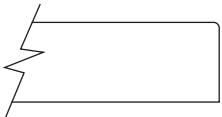
Item	Page
Doors _____	15 - 20
Door Style Chart _____	12
Door and Drawer Reveals _____	13
Edge Profiles _____	12

# DOOR STYLES

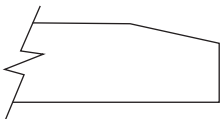
## Door Style Chart

Name	Price Group	Maple	Oak	Quarter Sawn White Oak
Arsenal	1	X	X	X
Brentford	1	X	X	X
Coventry	2	X	X	X
Dover	1	X	X	X
Everton	1	X	X	X
Kent	3	X	X	X
Manchester	3	X	X	X
New Castle	1	X	X	X
Preston	2	X	X	X
Sussex	2	X	X	X
Villa	2	X	X	X

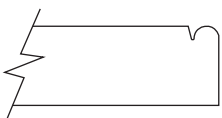
## Door Edge Profiles



Arsenal, Brentford, Coventry, Dover, Everton, New Castle, and Preston.



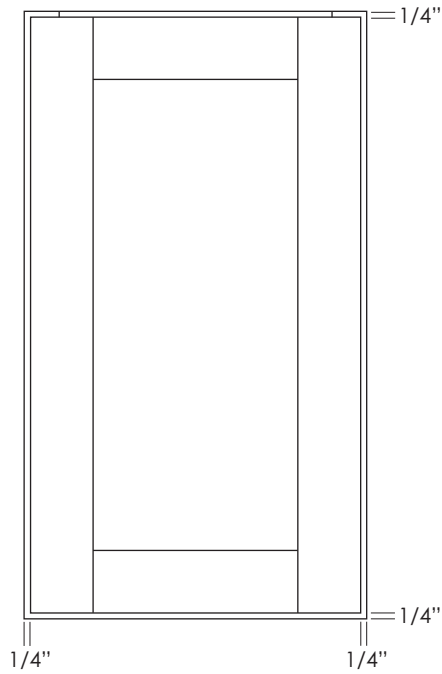
Manchester and Villa.



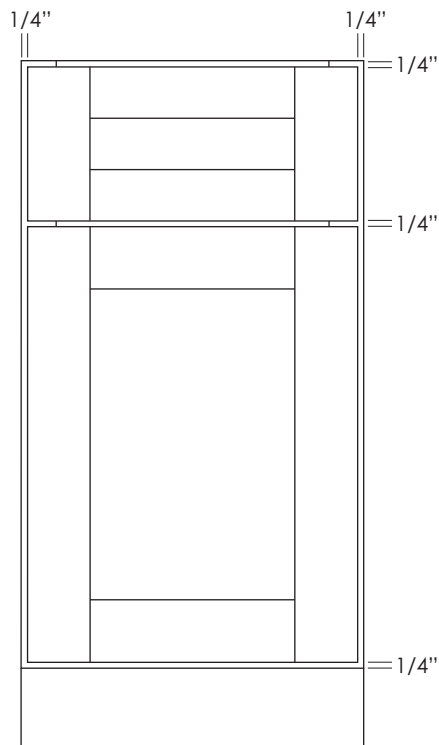
Kent and Sussex.

# DOOR STYLES

## Reveals



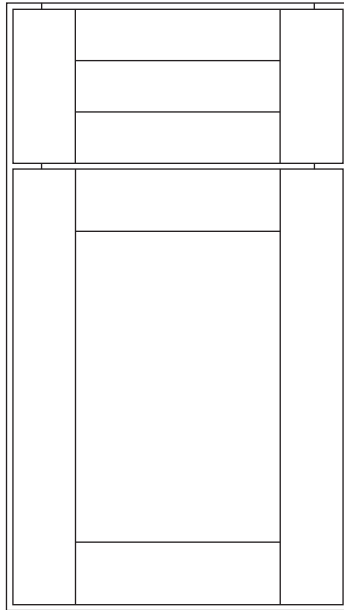
- All Cabnova door styles are Full Overlay.
- Blum 6-way adjustable soft close hinges.
- 39" - 48" wide cabinets have a center mullion with a 1/2" reveal between doors.
- Cabinets with Butt Doors have a 1/8" reveal between doors.



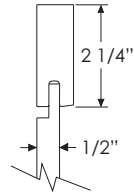
# DOOR STYLES

# DOOR STYLES

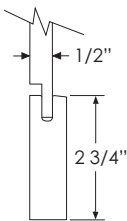
## Arsenal Price Group 1



DRAWER



DOOR



DRAWER FRONT OPTIONS



SOLID

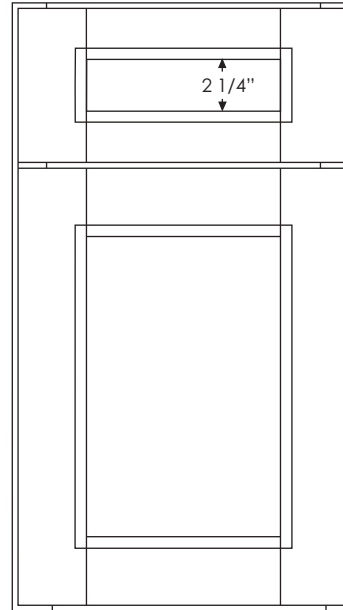


5-PIECE (UPGRADE)

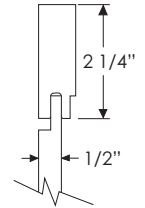
SPECIES AVAILABLE:

- MAPLE
- OAK
- QUARTER SAWN WHITE OAK
- PAINT

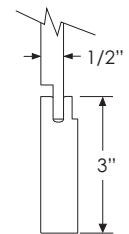
## Brentford Price Group 1



DRAWER



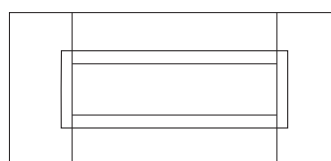
DOOR



DRAWER FRONT OPTIONS



SOLID



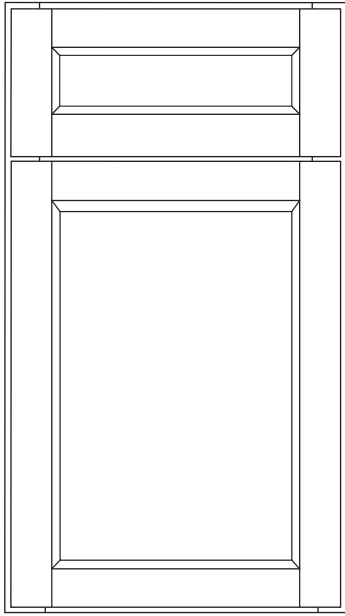
5-PIECE (UPGRADE)

SPECIES AVAILABLE:

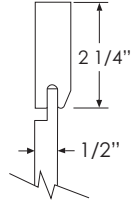
- MAPLE
- OAK
- QUARTER SAWN WHITE OAK
- PAINT

# DOOR STYLES

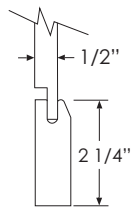
## Dover Price Group 1



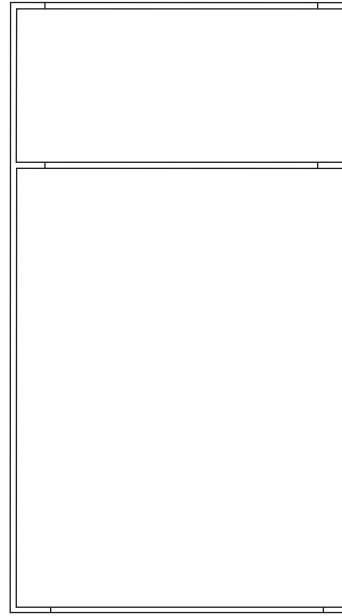
DRAWER



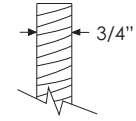
DOOR



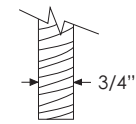
## Everton Price Group 1



DRAWER



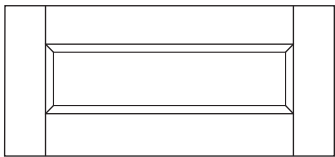
DOOR



DRAWER FRONT OPTIONS



SOLID



5-PIECE (UPGRADE)

DRAWER FRONT OPTIONS



SOLID

SPECIES AVAILABLE:

- MAPLE
- OAK
- QUARTER SAWN WHITE OAK
- PAINT

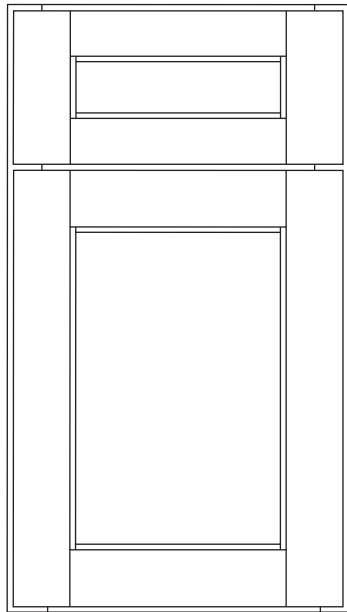
SPECIES AVAILABLE:

- MAPLE
- OAK
- QUARTER SAWN WHITE OAK
- PAINT

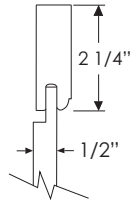


# DOOR STYLES

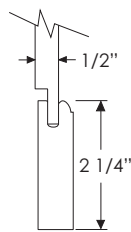
## Newcastle Price Group 1



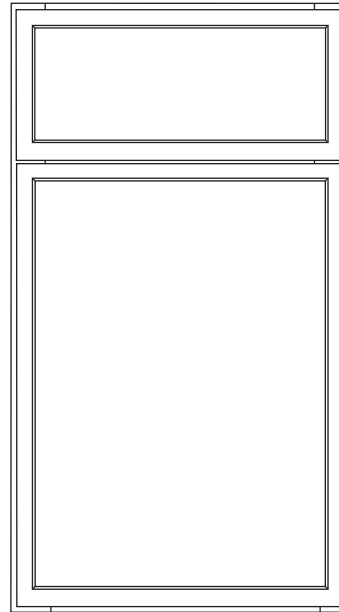
DRAWER



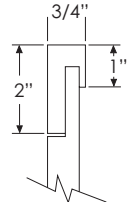
DOOR



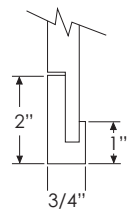
## Coventry Price Group 2



DRAWER



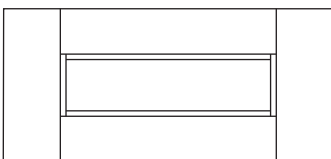
DOOR



DRAWER FRONT OPTIONS



SOLID

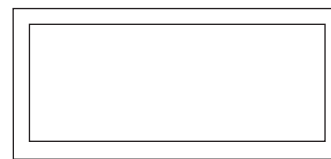


5-PIECE (UPGRADE)

DRAWER FRONT OPTIONS



SOLID



5-PIECE (UPGRADE)

SPECIES AVAILABLE:

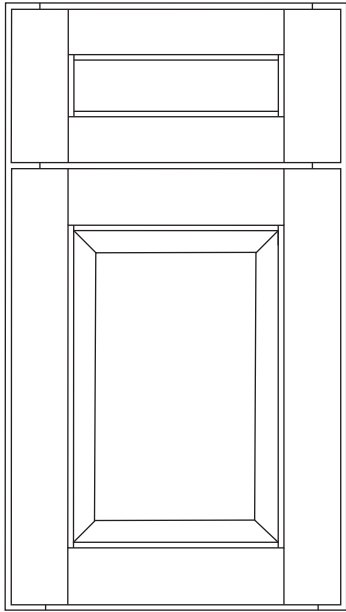
- MAPLE
- OAK
- QUARTER SAWN WHITE OAK
- PAINT

SPECIES AVAILABLE:

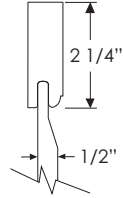
- MAPLE
- OAK
- QUARTER SAWN WHITE OAK
- PAINT

# DOOR STYLES

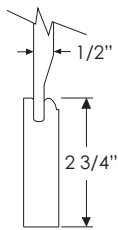
## Preston Price Group 2



DRAWER



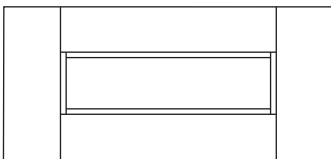
DOOR



DRAWER FRONT OPTIONS



SOLID

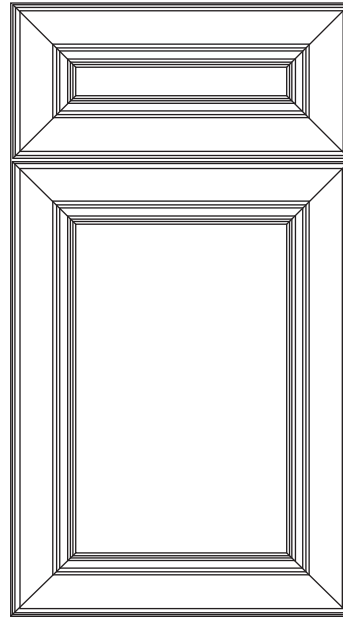


5-PIECE (UPGRADE)

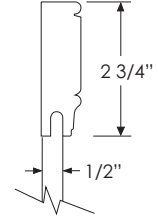
SPECIES AVAILABLE:

- MAPLE
- OAK
- QUARTER SAWN WHITE OAK
- PAINT

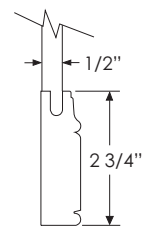
## Sussex Price Group 2



DRAWER



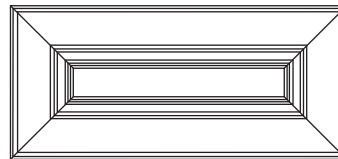
DOOR



DRAWER FRONT OPTIONS



SOLID



5-PIECE (UPGRADE)

SPECIES AVAILABLE:

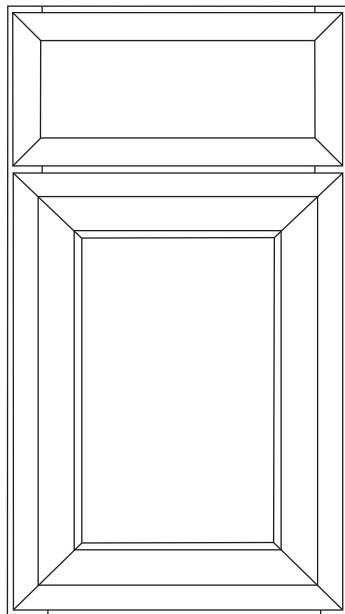
- MAPLE
- OAK
- QUARTER SAWN WHITE OAK
- PAINT

NOTES:

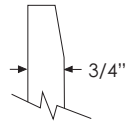
- When a paint finish is specified, center panel will automatically be MDF. Stiles and rails will be maple.

# DOOR STYLES

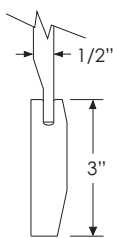
## Villa Price Group 2



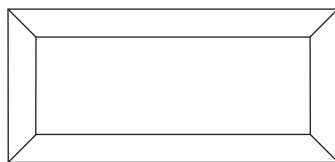
DRAWER



DOOR

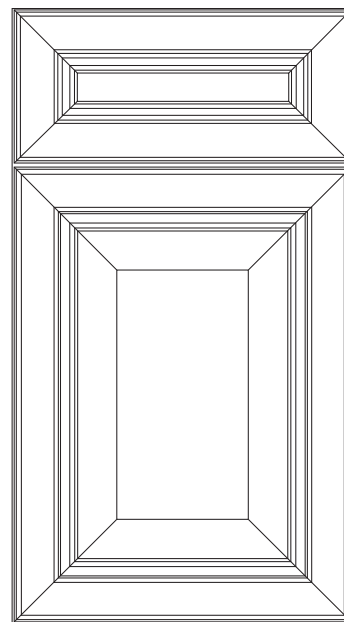


DRAWER FRONT OPTIONS

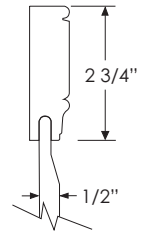


SOLID

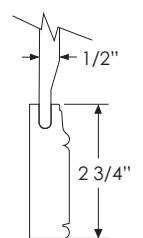
## Kent Price Group 3



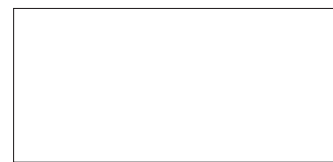
DRAWER



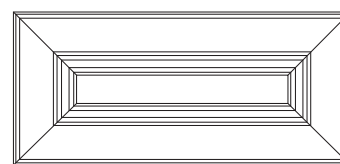
DOOR



DRAWER FRONT OPTIONS



SOLID



5-PIECE (UPGRADE)

SPECIES AVAILABLE:

- MAPLE
- OAK
- QUARTER SAWN WHITE OAK
- PAINT

NOTES:

- When a paint finish is specified, center panel will automatically be MDF. Stiles and rails will be maple.

SPECIES AVAILABLE:

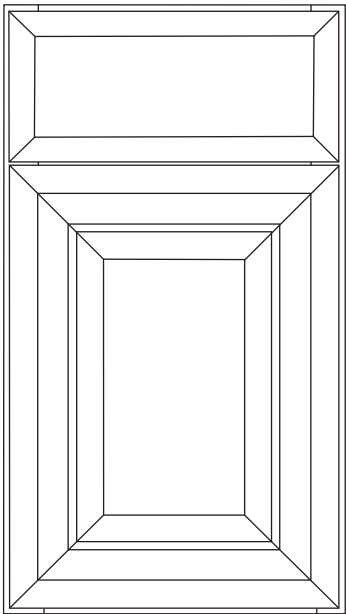
- MAPLE
- OAK
- QUARTER SAWN WHITE OAK
- PAINT

NOTES:

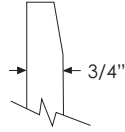
- When a paint finish is specified, center panel will automatically be MDF. Stiles and rails will be maple.

# DOOR STYLES

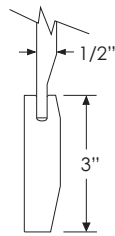
## Manchester Price Group 3



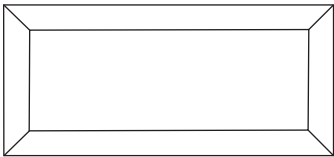
DRAWER



DOOR



DRAWER FRONT OPTIONS



SOLID

SPECIES AVAILABLE:

- MAPLE
- OAK
- QUARTER SAWN WHITE OAK
- PAINT

NOTES:

- When a paint finish is specified, center panel will automatically be MDF. Stiles and rails will be maple.

# DOOR STYLES

# DOOR STYLES

# FINISHES

## Finishes Index

Item	Page
Finish Chart _____	24
Sherwin Williams Patch Match Program _____	25

# FINISHES

## Stain Finishes

	Maple	Oak	Quarter Sawn White Oak
Caraway	X	X	X
Clove	X	X	X
Natural	X	X	X
Peppercorn	X	X	X
Sanibel	X	X	X
Sand	X	X	X
Coastal Mist		X	X
Driftwood		X	X

Coastal Mist and Driftwood finishes are a 10% upcharge.

## Paint Finishes

	MDF	Oak	Quarter Sawn White Oak
Matte Black	X	X	X
Morel	X	X	X
Oyster	X	X	X
Pearl White	X	X	X
Rosemary	X	X	X
Smokey Blue	X	X	X
White Dove	X	X	X

All Cabnova paint finishes are a 5% upcharge.  
Maple available upon request.

10 % sheen level on all Cabnova stain and paint finishes.  
When selecting a Cabnova finish, use a physical stain or paint sample for accuracy.



# FINISHES

## Sherwin Williams Paint Match Program

NET Developmental Fee \$375.00

To specify a custom paint color, select any paint color from the Sherwin Williams paint collection. Complete and submit the Custom Product Request Form with the Sherwin Williams paint color and number desired. Cabnova will then produce a 4 ½" x 6 ½" color sample and send back within 7 - 10 days for approval. Custom paint colors should be submitted and approved before actual cabinet order is placed. When placing cabinet orders with a custom paint match, include the Custom Product Request Form with the approved Sherwin Williams color and number with the cabinet order. Cabinet orders with a custom color selection must be ordered within 6 months of sample production.

- Sherwin Williams paint collection only.
- 15 % upcharge (this is 15% total, not in addition to the 5% paint upcharge).
- Fill out and submit the Custom Product Request Form with desired Sherwin Williams paint color and number.
- \$375 NET Developmental Fee.
- 4 ½" x 6 ½" sample is sent for approval within 7-10 days.

# FINISHES

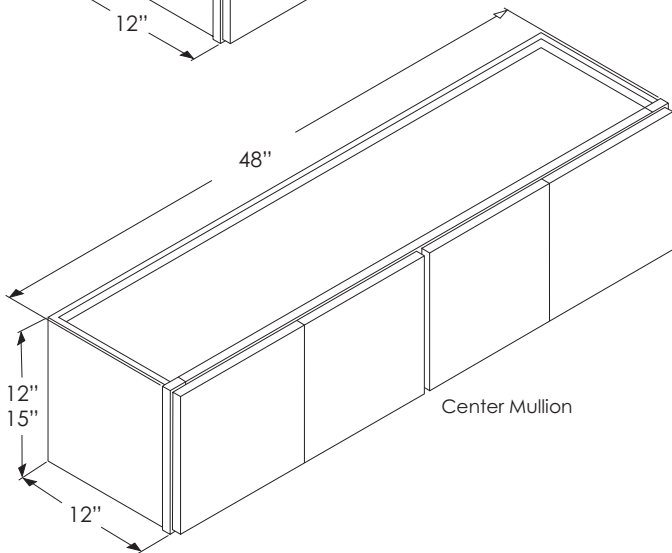
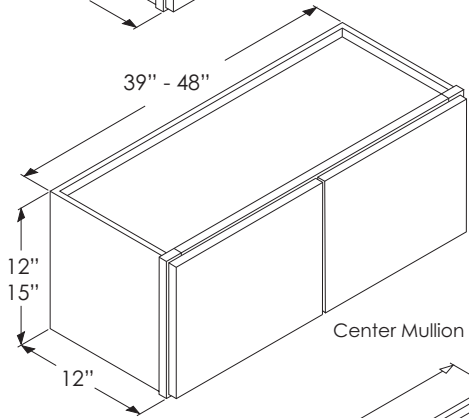
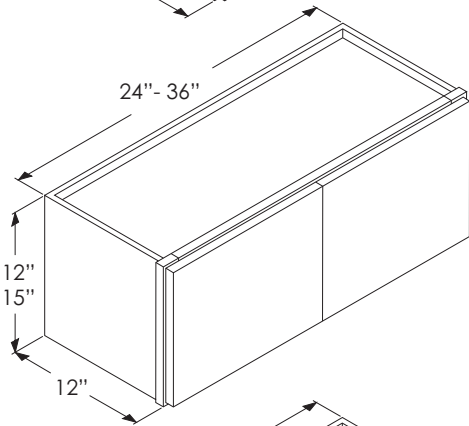
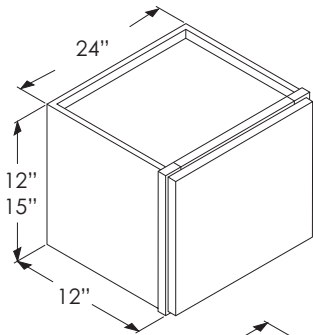
# WALL CABINETS

## Wall Index

Item	Page
Blind Corner Wall Cabinet _____	36 - 37
Deep Wall Cabinet _____	34 - 35
Diagonal Corner Wall Cabinet _____	38
Diagonal End Wall _____	49
Diagonal Wine Cabinet _____	48
Microwave Wall _____	40
Microwave Wall with Shelf _____	41
Open End Wall _____	49
Square Corner Wall Cabinet _____	39
Stacked Wall Cabinet _____	42 - 43
X Wine Wall Cabinet _____	47
Wall Cabinet _____	28 - 33
Wall Cabinet with Drawer _____	44 - 45
Wine Cube Cabinet _____	46

# WALL CABINETS

## Wall Cabinets



### 12" High - No Shelf

SKU	1	2	3
W2412	528	559	592
W2412B	528	559	592
W2712B	550	582	616
W3012B	572	606	641
W3312B	595	631	666
W3612B	615	652	689
W3912	628	666	703
W4212	668	708	748
W4512	720	763	807
W4812	772	818	865
W4812B (4 DOORS)	772	818	865

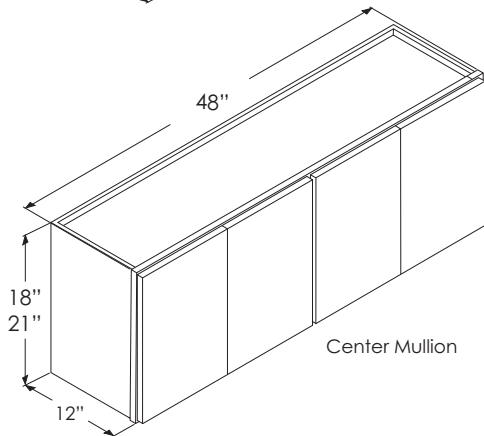
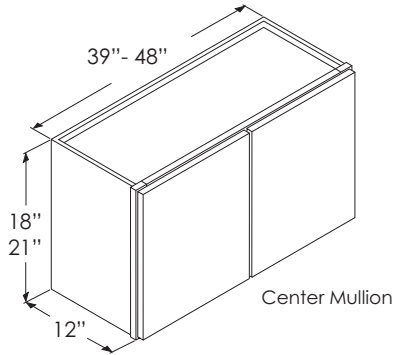
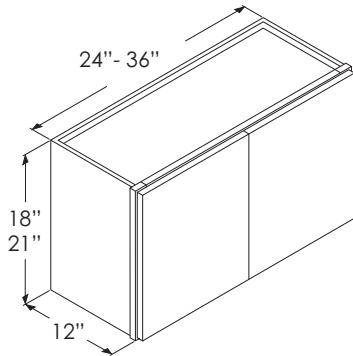
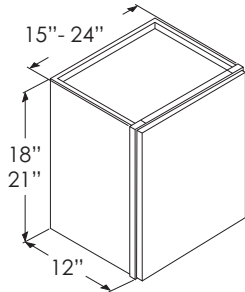
### 15" High - No Shelf

SKU	1	2	3
W2415	583	619	653
W2415B	583	619	653
W2715B	607	644	680
W3015B	632	670	708
W3315B	680	721	762
W3615B	725	768	812
W3915	785	832	879
W4215	845	896	946
W4515	972	1,030	1,088
W4815	1,098	1,164	1,230
W4815B (4 DOORS)	1,098	1,164	1,230

- 12" High and 15" High Cabinets are NOT drilled for shelves.

# WALL CABINETS

## Wall Cabinets



### 18" High - No Shelf

SKU	1	2	3
W1518	445	472	498
W1818	488	517	547
W2118	500	530	560
W2418	505	535	566
W2418B	505	535	566
W2718B	580	615	650
W3018B	655	694	734
W3318B	700	742	784
W3618B	758	803	849
W3918	795	843	890
W4218	845	896	946
W4518	910	965	1,019
W4818	932	988	1,044
W4818B (4 DOORS)	932	988	1,044

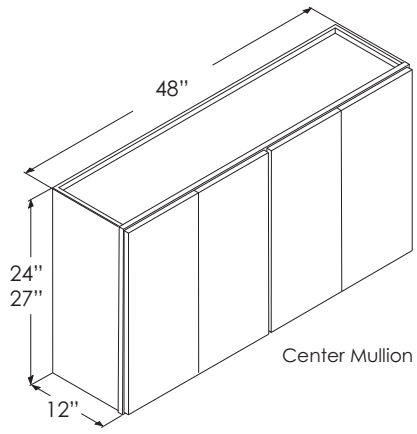
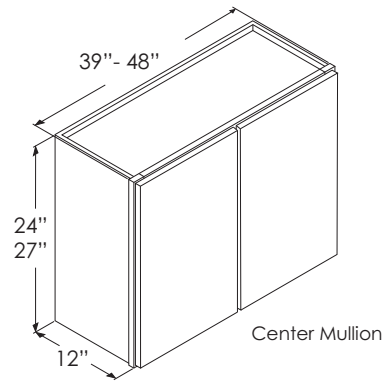
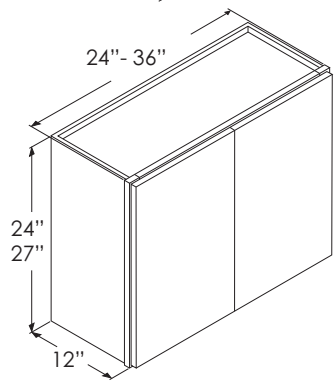
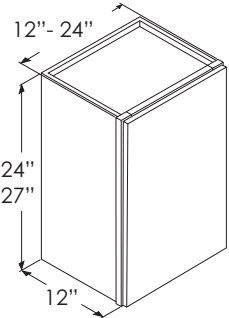
### 21" High - No Shelf

SKU	1	2	3
W1521	445	472	498
W1821	488	517	547
W2121	505	535	566
W2421	595	631	666
W2421B	595	631	666
W2721B	630	668	706
W3021B	670	710	750
W3321B	735	779	823
W3621B	795	843	890
W3921	832	882	932
W4221	885	938	991
W4521	958	1,015	1,073
W4821	985	1,044	1,103
W4821B (4 DOORS)	985	1,044	1,103

- 18" High and 21" High Cabinets are NOT drilled for shelves.

# WALL CABINETS

## Wall Cabinets



### 24" High - One Shelf

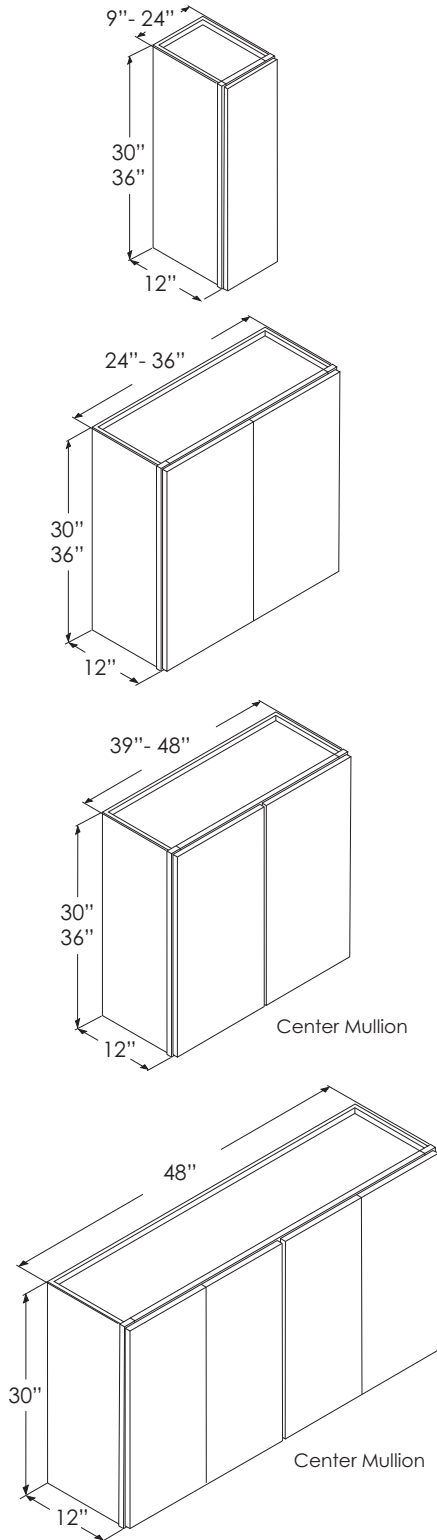
SKU	1	2	3
W1224	418	443	468
W1524	445	472	498
W1824	485	514	543
W2124	505	535	566
W2424	595	631	666
W2424B	595	631	666
W2724B	630	668	706
W3024B	675	716	756
W3324B	735	779	823
W3624B	795	843	890
W3924	832	882	932
W4224	885	938	991
W4524	958	1,015	1,073
W4824	985	1,044	1,103
W4824B (4 DOORS)	958	1,044	1,103

### 27" High - One Shelf

SKU	1	2	3
W1227	560	594	627
W1527	580	615	650
W1827	618	655	692
W2127	642	681	719
W2427	698	740	782
W2427B	698	740	782
W2727B	828	878	927
W3027B	868	920	972
W3327B	905	959	1,014
W3627B	932	988	1,044
W3927	985	1,044	1,103
W4227	1,015	1,076	1,137
W4527	1,040	1,102	1,165
W4827	1,098	1,164	1,230
W4827B (4 DOORS)	1,098	1,164	1,230

# WALL CABINETS

## Wall Cabinets



### 30" High - Two Shelves

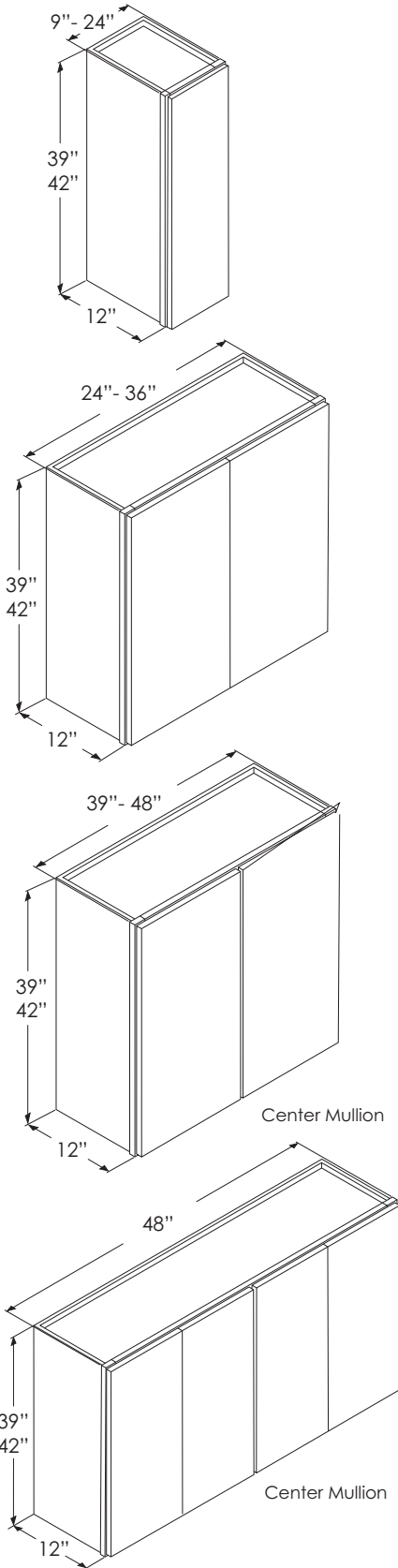
SKU	1	2	3
W930	505	535	566
W1230	562	596	629
W1530	582	617	652
W1830	620	657	694
W2130	645	684	722
W2430	702	744	786
W2430B	702	744	786
W2730B	830	880	930
W3030B	870	922	974
W3330B	910	965	1,019
W3630B	935	991	1,047
W3930	985	1,044	1,103
W4230	1,015	1,076	1,137
W4530	1,040	1,102	1,165
W4830	1,098	1,164	1,230
W4830B (4 DOORS)	1,098	1,164	1,230

### 36" High - Two Shelves

SKU	1	2	3
W936	635	673	711
W1236	658	697	737
W1536	690	731	773
W1836	715	758	801
W2136	760	806	851
W2436	868	920	972
W2436B	868	920	972
W2736B	910	965	1,019
W3036B	932	988	1,044
W3336B	1,008	1,068	1,129
W3636B	1,032	1,094	1,156
W3936	1,085	1,150	1,215
W4236	1,140	1,208	1,277
W4536	1,198	1,270	1,342
W4836	1,258	1,334	1,410
W4836B (4 DOORS)	1,258	1,334	1,410

# WALL CABINETS

## Wall Cabinets



### 39" High - Three Shelves

SKU	1	2	3
W939	775	822	868
W1239	798	846	894
W1539	870	922	974
W1839	910	965	1,019
W2139	982	1,041	1,100
W2439	1,022	1,083	1,145
W2439B	1,022	1,083	1,145
W2739B	1,155	1,224	1,294
W3039B	1,192	1,264	1,335
W3339B	1,258	1,333	1,409
W3639B	1,338	1,418	1,499
W3939	1,428	1,514	1,599
W4239	1,500	1,590	1,679
W4539	1,575	1,670	1,763
W4839	1,654	1,754	1,852
W4839B (4 DOORS)	1,737	1,842	1,945

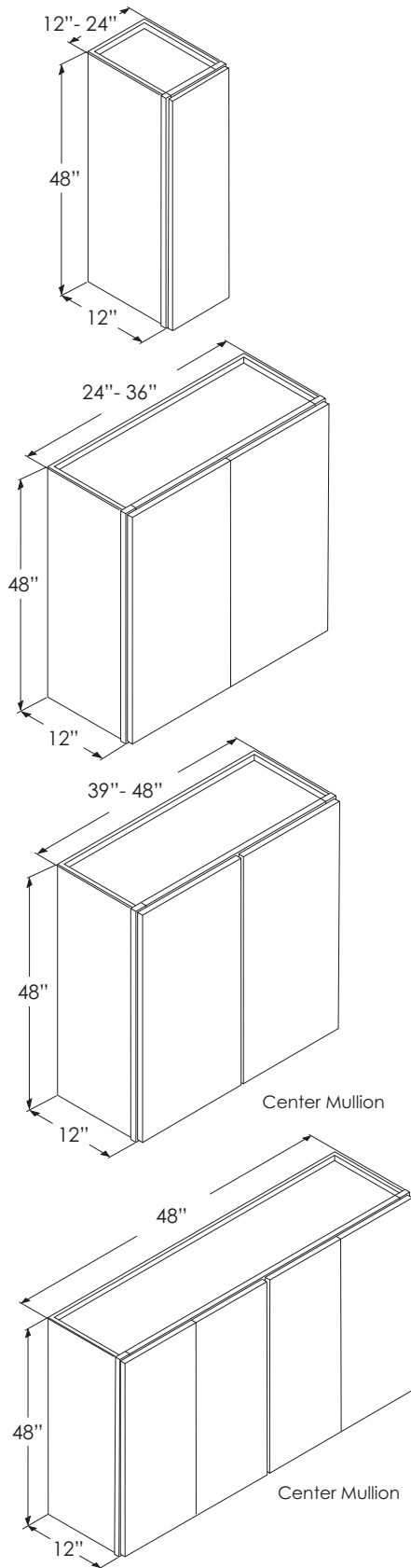
### 42" High - Three Shelves

SKU	1	2	3
W942	775	822	868
W1242	798	846	894
W1542	870	922	974
W1842	910	965	1,019
W2142	982	1,041	1,100
W2442	1,022	1,083	1,145
W2442B	1,022	1,083	1,145
W2742B	1,155	1,224	1,294
W3042B	1,192	1,264	1,335
W3342B	1,258	1,333	1,409
W3642B	1,338	1,418	1,499
W3942	1,383	1,466	1,549
W4242	1,428	1,514	1,599
W4542	1,500	1,590	1,679
W4842	1,575	1,670	1,763
W4842B (4 DOORS)	1,654	1,754	1,852



# WALL CABINETS

## Wall Cabinets

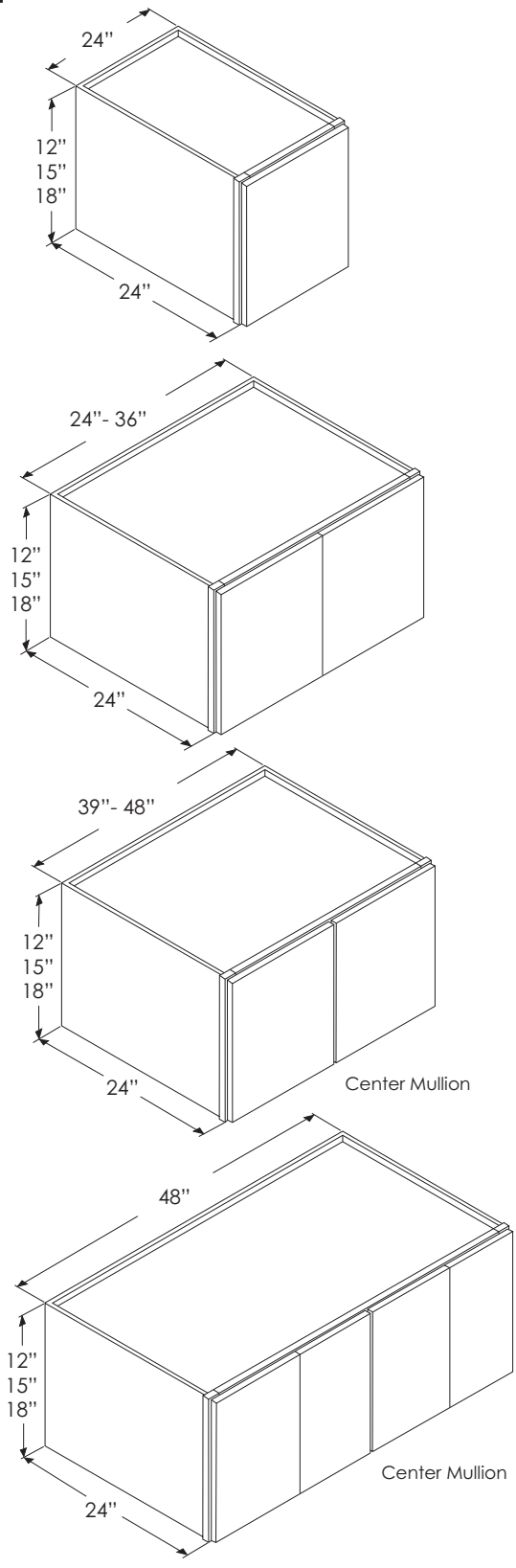


### 48" High - Three Shelves

SKU	1	2	3
W948	969	1,028	1,085
W1248	998	1,058	1,118
W1548	1,088	1,153	1,218
W1848	1,138	1,207	1,274
W2148	1,228	1,302	1,375
W2448	1,278	1,354	1,432
W2448B	1,278	1,354	1,432
W2748B	1,444	1,530	1,618
W3048B	1,490	1,580	1,669
W3348B	1,573	1,667	1,762
W3648B	1,673	1,773	1,874
W3948	1,729	1,833	1,937
W4248	1,785	1,893	1,999
W4548	1,875	1,988	2,099
W4848	1,969	2,088	2,204
W4848B (4 DOORS)	1,969	2,088	2,204

# WALL CABINETS

## Deep Wall Cabinets



### 12" High - No Shelf

SKU	1	2	3
W241224	678	719	759
W241224B	678	719	759
W271224B	698	740	782
W301224B	715	758	801
W331224B	738	782	827
W361224B	760	806	851
W391224	780	827	874
W421224	830	880	930
W451224	895	949	1,003
W481224	960	1,018	1,075
W481224B (4 DOORS)	960	1,018	1,075

### 15" High - No Shelf

SKU	1	2	3
W241524	678	719	759
W241524B	678	719	759
W271524B	698	740	782
W301524B	735	779	823
W331524B	810	859	907
W361524B	840	890	941
W391524	980	1,039	1,098
W421524	1,062	1,126	1,189
W451524	1,115	1,182	1,249
W481524	1,168	1,238	1,308
W481524B (4 DOORS)	1,168	1,238	1,308

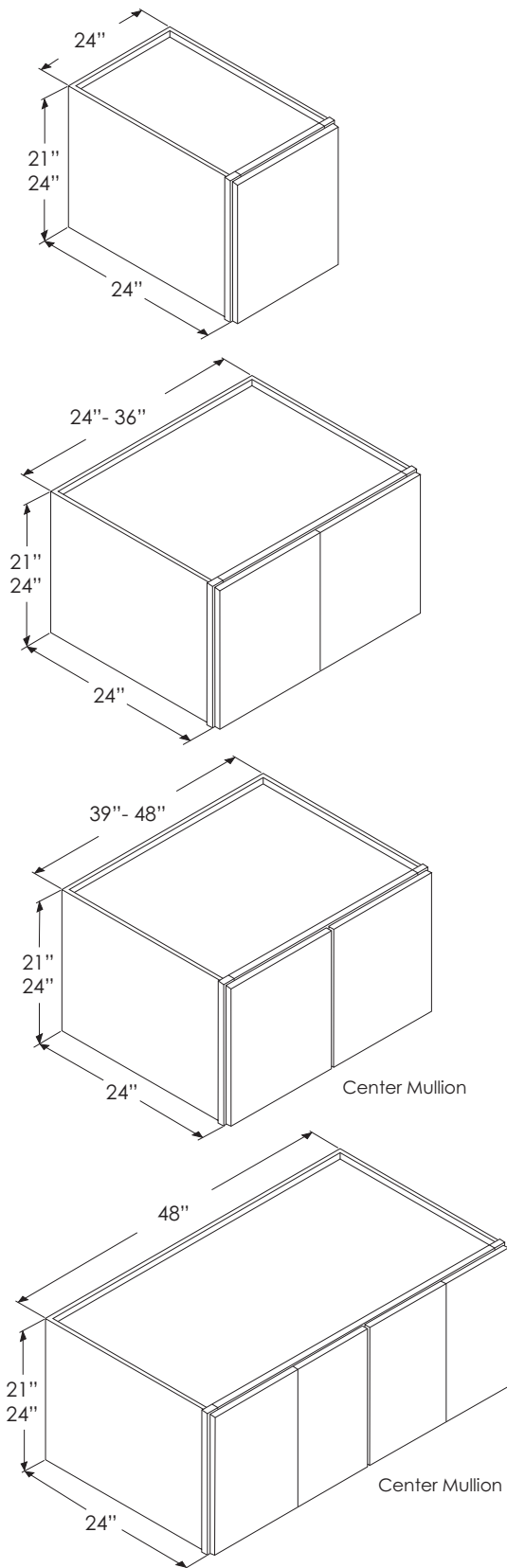
### 18" High - No Shelf

SKU	1	2	3
W241824	733	777	822
W241824B	733	777	822
W271824B	762	807	853
W301824B	856	908	959
W331824B	922	978	1,033
W361824B	982	1,041	1,100
W391824	1,042	1,105	1,167
W421824	1,116	1,183	1,249
W451824	1,172	1,242	1,312
W481824	1,227	1,300	1,374
W481824B (4 DOORS)	1,227	1,300	1,374

- 12" High, 15" High, and 18" High Cabinets are NOT drilled for shelves.
- Maximum height is 36".

# WALL CABINETS

## Deep Wall Cabinets



### 21" High - No Shelf

SKU	1	2	3
W242124	740	784	829
W242124B	740	784	829
W272124B	788	835	883
W302124B	832	882	932
W332124B	912	967	1,021
W362124B	992	1,052	1,111
W392124	1,042	1,105	1,167
W422124	1,102	1,168	1,234
W452124	1,165	1,235	1,305
W482124	1,228	1,302	1,375
W482124B (4 DOORS)	1,228	1,302	1,375

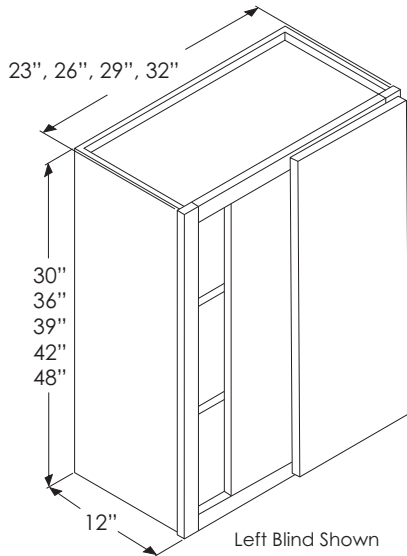
### 24" High - One Shelf

SKU	1	2	3
W242424	740	784	829
W242424B	740	784	829
W272424B	785	832	879
W302424B	832	882	932
W332424B	912	967	1,021
W362424B	992	1,052	1,111
W392424	1,042	1,105	1,167
W422424	1,102	1,168	1,234
W452424	1,167	1,237	1,307
W482424	1,232	1,306	1,380
W482424B (4 DOORS)	1,232	1,306	1,380

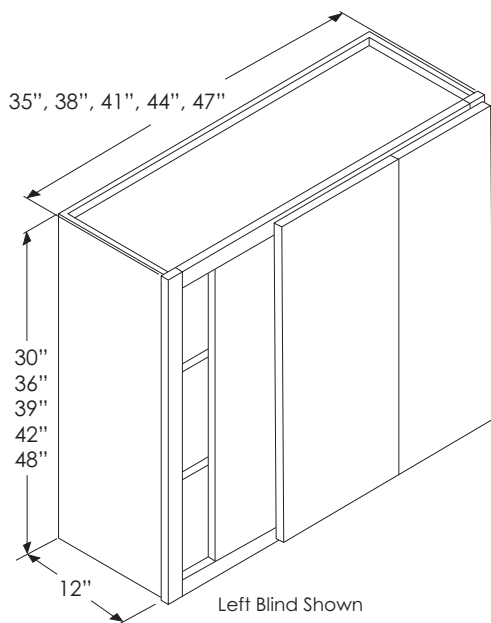
- 21" High Cabinets are NOT drilled for shelves.
- Maximum height is 36".

# WALL CABINETS

## Blind Corner Wall Cabinets



SKU	Cabinet Width	Min Pull	Max Pull	Door Size
WBC24	23"	3"	5"	11 1/2"
WBC27	26"	3"	5"	14 1/2"
WBC30	29"	3"	5"	17 1/2"
WBC33	32"	3"	5"	20 1/2"
WBC36B	35"	3"	5"	11 3/4"
WBC39B	38"	3"	5"	13 1/4"
WBC42B	41"	3"	5"	14 3/4"
WBC45B	44"	3"	5"	16 1/4"
WBC48B	47"	3"	5"	17 3/4"



- Pricing for Blind Corner Wall Cabinets is on next page.
- Specify Blind Left or Right.
- Cabinet width is 1" less than SKU specified.
- Blind Corner Wall Cabinets need to be pulled a minimum of 3".
- Filler NOT included.

# WALL CABINETS

## Blind Corner Wall Cabinets

### 24" High - One Shelf

SKU		1	2	3
WBC2424	L/R	538	570	603
WBC2724	L/R	570	604	638
WBC3024	L/R	602	638	674
WBC3324	L/R	658	697	737
WBC3624B	L/R	715	758	801
WBC3924B	L/R	772	818	865
WBC4224B	L/R	818	867	916
WBC4524B	L/R	905	959	1,014
WBC4824B	L/R	996	1,055	1,116

### 30" High - Two Shelves

SKU		1	2	3
WBC2430	L/R	618	655	692
WBC2730	L/R	655	694	734
WBC3030	L/R	698	740	782
WBC3330	L/R	738	782	827
WBC3630B	L/R	772	818	865
WBC3930B	L/R	818	867	916
WBC4230B	L/R	875	928	980
WBC4530B	L/R	888	941	995
WBC4830B	L/R	898	952	1,006

### 36" High - Two Shelves

SKU		1	2	3
WBC2436	L/R	745	790	834
WBC2736	L/R	795	843	890
WBC3036	L/R	840	890	941
WBC3336	L/R	922	977	1,033
WBC3636B	L/R	922	977	1,033
WBC3936B	L/R	980	1,039	1,098
WBC4236B	L/R	1,040	1,102	1,165
WBC4536B	L/R	1,124	1,191	1,259
WBC4836B	L/R	1,214	1,287	1,360

### 39" High - Three Shelves

SKU		1	2	3
WBC2439	L/R	798	846	894
WBC2739	L/R	862	914	966
WBC3039	L/R	931	988	1,044
WBC3339	L/R	1,006	1,068	1,128
WBC3639B	L/R	1,087	1,154	1,219
WBC3939B	L/R	1,174	1,247	1,317
WBC4239B	L/R	1,268	1,347	1,423
WBC4539B	L/R	1,370	1,455	1,537
WBC4839B	L/R	1,480	1,572	1,660

### 42" High - Three Shelves

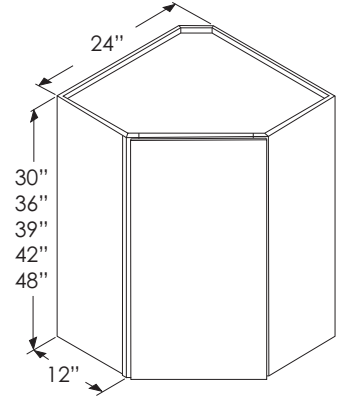
SKU		1	2	3
WBC2442	L/R	840	890	941
WBC2742	L/R	922	977	1,033
WBC3042	L/R	1,008	1,068	1,129
WBC3342	L/R	1,098	1,164	1,230
WBC3642B	L/R	1,098	1,164	1,230
WBC3942B	L/R	1,132	1,200	1,268
WBC4242B	L/R	1,202	1,274	1,346
WBC4542B	L/R	1,265	1,341	1,417
WBC4842B	L/R	1,328	1,408	1,487

### 48" High - Three Shelves

SKU		1	2	3
WBC2448	L/R	1,050	1,113	1,177
WBC2748	L/R	1,153	1,222	1,292
WBC3048	L/R	1,260	1,335	1,412
WBC3348	L/R	1,373	1,455	1,538
WBC3648B	L/R	1,373	1,455	1,538
WBC3948B	L/R	1,415	1,500	1,585
WBC4248B	L/R	1,503	1,593	1,683
WBC4548B	L/R	1,582	1,677	1,772
WBC4848B	L/R	1,660	1,760	1,859

# WALL CABINETS

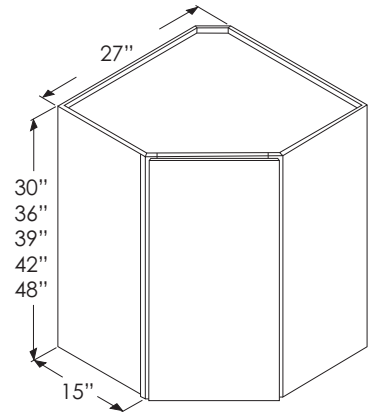
## Diagonal Corner Wall Cabinets



### 24" Wide

SKU	1	2	3
DWA2424	878	931	983
DWA2427	1,065	1,129	1,193
DWA2430	1,065	1,129	1,193
DWA2433	1,155	1,224	1,294
DWA2436	1,155	1,224	1,294
DWA2439	1,305	1,383	1,462
DWA2442	1,305	1,383	1,462
DWA2448	1,410	1,494	1,579

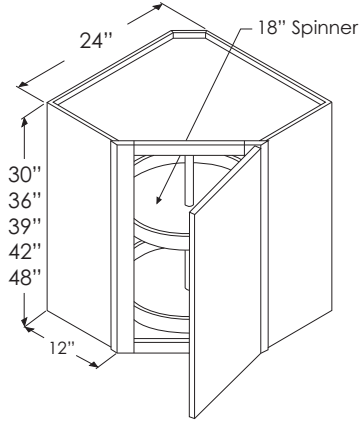
- 12" Deep



### 27" Wide

SKU	1	2	3
DWA272415	1,305	1,383	1,462
DWA273015	1,350	1,431	1,512
DWA273615	1,445	1,532	1,618
DWA273915	1,722	1,825	1,929
DWA274215	1,722	1,825	1,929
DWA274815	1,860	1,971	2,084

- 15" Deep



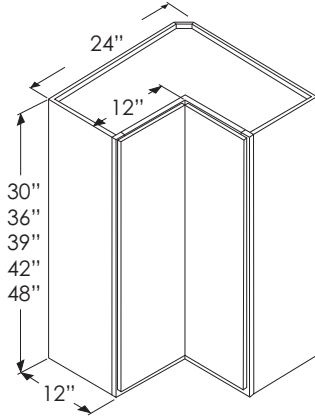
### Lazy Susan

SKU	1	2	3
DWALS2430	2,265	2,329	2,393
DWALS2436	2,385	2,456	2,528
DWALS2439	2,505	2,583	2,662
DWALS2442	2,505	2,583	2,662
DWALS2448	2,756	2,842	2,929

- 12" Deep
- 18" diameter full circle wood shelves on metal pole.

# WALL CABINETS

## Square Corner Wall Cabinets



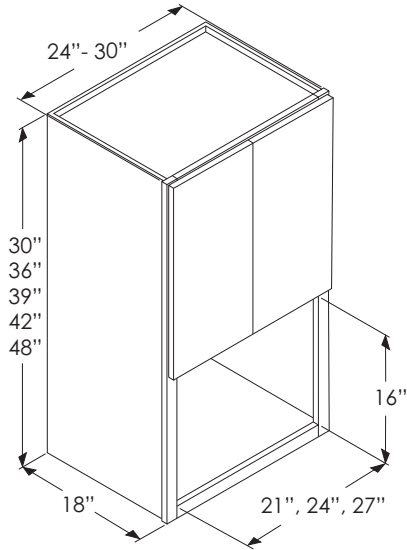
### Square Corner

SKU	1	2	3
SCW2424	1,585	1,681	1,776
SCW2427	1,633	1,732	1,830
SCW2430	1,683	1,785	1,886
SCW2433	1,735	1,840	1,944
SCW2436	1,788	1,896	2,004
SCW2439	1,843	1,954	2,065
SCW2442	1,900	2,014	2,128
SCW2445	1,957	2,075	2,192
SCW2448	2,016	2,138	2,258

- Specify Left or Right hinge.

# WALL CABINETS

## Microwave Wall Cabinets



- Opening width is 3" less than cabinet width.
- Opening height is 16 1/2" high.

### 30" High Microwave

SKU	1	2	3
MWW2430BMI	980	1,039	1,098
MWW2730BMI	1,028	1,090	1,151
MWW3030BMI	1,162	1,232	1,301

### 36" High Microwave

SKU	1	2	3
MWW2436BMI	1,105	1,171	1,238
MWW2736BMI	1,162	1,232	1,301
MWW3036BMI	1,328	1,408	1,487

### 39" High Microwave

SKU	1	2	3
MWW2439BMI	1,370	1,452	1,534
MWW2739BMI	1,442	1,529	1,615
MWW3039BMI	1,632	1,730	1,828

### 42" High Microwave

SKU	1	2	3
MWW2442BMI	1,370	1,452	1,534
MWW2742BMI	1,442	1,529	1,615
MWW3042BMI	1,632	1,730	1,828

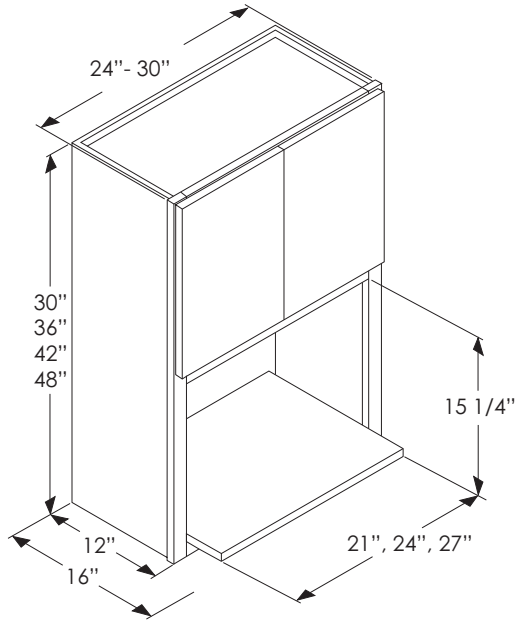
### 48" High Microwave

SKU	1	2	3
MWW2448BMI	1,549	1,641	1,734
MWW2748BMI	1,630	1,728	1,825
MWW3048BMI	1,845	1,955	2,066



# WALL CABINETS

## Microwave Wall Cabinets with Shelf



- Opening width is 3" less than cabinet width.
- Opening height is 15 3/4" high.

### 30" High Microwave - Extended Shelf

SKU	1	2	3
MWW243012BEXSMI	980	1,039	1,098
MWW273012BEXSMI	1,028	1,090	1,151
MWW303012BEXSMI	1,162	1,232	1,301

### 36" High Microwave - Extended Shelf

SKU	1	2	3
MWW243612BEXSMI	1,105	1,171	1,238
MWW273612BEXSMI	1,162	1,232	1,301
MWW303612BEXSMI	1,328	1,408	1,487

### 39" High Microwave - Extended Shelf

SKU	1	2	3
MWW243912BEXSMI	1,370	1,452	1,534
MWW273912BEXSMI	1,442	1,529	1,615
MWW303912BEXSMI	1,632	1,730	1,828

### 42" High Microwave - Extended Shelf

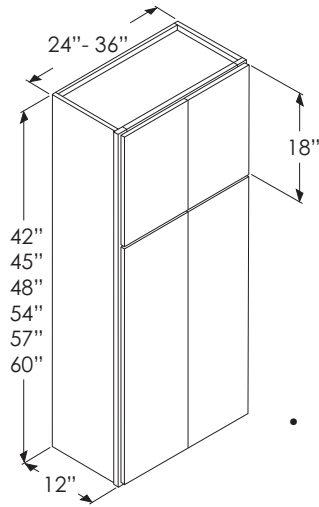
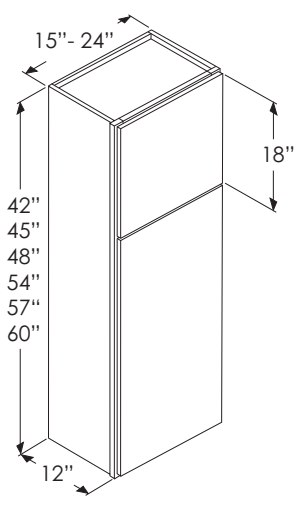
SKU	1	2	3
MWW244212BEXSMI	1,370	1,452	1,534
MWW274212BEXSMI	1,442	1,529	1,615
MWW304212BEXSMI	1,632	1,730	1,828

### 48" High Microwave - Extended Shelf

SKU	1	2	3
MWW244812BEXSMI	1,549	1,641	1,734
MWW274812BEXSMI	1,630	1,728	1,825
MWW304812BEXSMI	1,845	1,955	2,066

# WALL CABINETS

## Stacked Wall Cabinets



- 18" dimension indicates height of top cabinet section. To change the height see Stacked Cabinet Modification.

### 42" High - One Shelf

SKU	1	2	3
WST1542	1,045	1,108	1,170
WST1842	1,088	1,153	1,219
WST2142	1,122	1,189	1,257
WST2442	1,185	1,256	1,327
WST2442B	1,185	1,256	1,327
WST2742B	1,221	1,294	1,367
WST3042B	1,258	1,333	1,409
WST3342B	1,296	1,373	1,452
WST3642B	1,335	1,415	1,496

### 45" High - One Shelf

SKU	1	2	3
WST1545	1,148	1,217	1,286
WST1845	1,180	1,251	1,322
WST2145	1,232	1,306	1,380
WST2445	1,348	1,429	1,510
WST2445B	1,348	1,429	1,510
WST2745B	1,389	1,472	1,556
WST3045B	1,431	1,517	1,603
WST3345B	1,474	1,563	1,652
WST3645B	1,519	1,610	1,702

### 48" High - Two Shelves

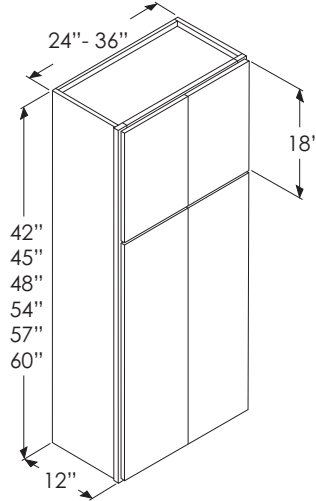
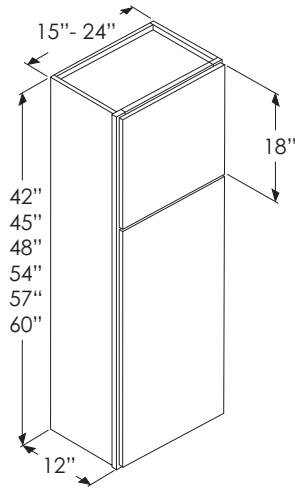
SKU	1	2	3
WST1548	1,148	1,217	1,286
WST1848	1,180	1,251	1,322
WST2148	1,232	1,306	1,380
WST2448	1,348	1,429	1,510
WST2448B	1,348	1,429	1,510
WST2748B	1,389	1,472	1,556
WST3048B	1,431	1,517	1,603
WST3348B	1,474	1,563	1,652
WST3648B	1,519	1,610	1,702

### 54" High - Two Shelves

SKU	1	2	3
WST1554	1,183	1,254	1,325
WST1854	1,216	1,289	1,362
WST2154	1,269	1,346	1,422
WST2454	1,389	1,472	1,556
WST2454B	1,389	1,472	1,556
WST2754B	1,431	1,517	1,603
WST3054B	1,474	1,563	1,652
WST3354B	1,519	1,610	1,702
WST3654B	1,565	1,659	1,754

# WALL CABINETS

## Stacked Wall Cabinets



- 18" dimension indicates height of top cabinet section. To change the height see Stacked Cabinet Modification.

### 57" High - Three Shelves

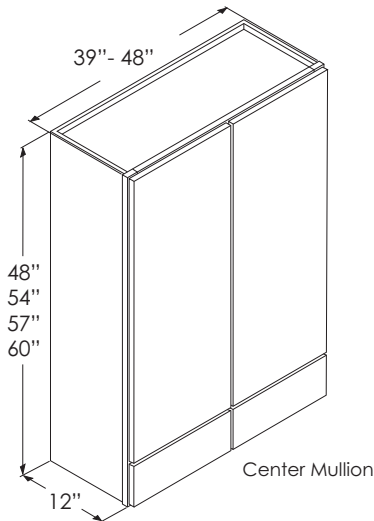
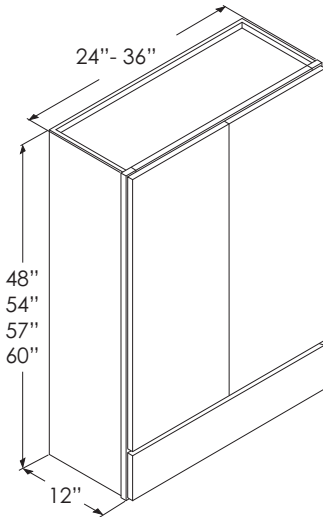
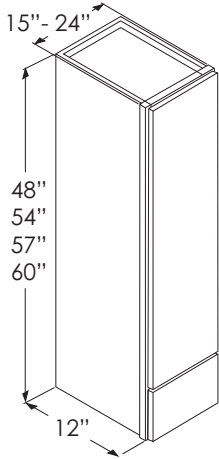
SKU	1	2	3
WST1557	1,219	1,292	1,365
WST1857	1,253	1,328	1,403
WST2157	1,308	1,387	1,465
WST2457	1,431	1,517	1,603
WST2457B	1,431	1,517	1,603
WST2757B	1,474	1,563	1,652
WST3057B	1,519	1,610	1,702
WST3357B	1,565	1,659	1,754
WST3657B	1,612	1,709	1,807

### 60" High - Three Shelves

SKU	1	2	3
WST1560	1,219	1,292	1,365
WST1860	1,253	1,328	1,403
WST2160	1,308	1,387	1,465
WST2460	1,431	1,517	1,603
WST2460B	1,431	1,517	1,603
WST2760B	1,474	1,563	1,652
WST3060B	1,519	1,610	1,702
WST3360B	1,565	1,659	1,754
WST3660B	1,612	1,709	1,807

# WALL CABINETS

## Wall Cabinets with Drawer



### 48" High - Three Shelves

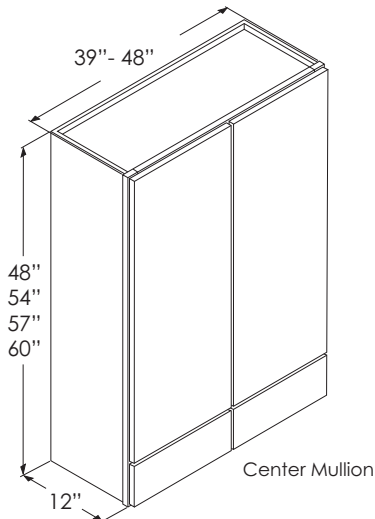
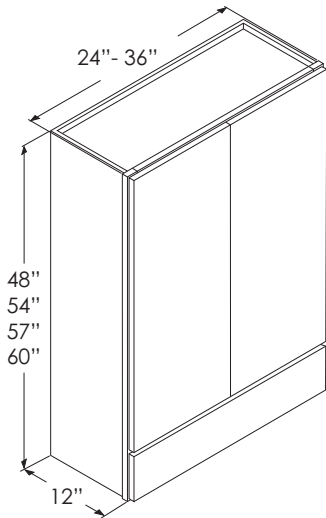
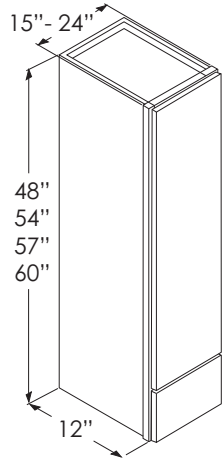
SKU	1	2	3
W1548_1DRW	2,296	2,434	2,572
W1848_1DRW	2,411	2,556	2,701
W2148_1DRW	2,532	2,684	2,837
W2448_1DRW	2,659	2,819	2,979
W2448B_1DRW	2,792	2,960	3,128
W2748B_1DRW	2,932	3,108	3,285
W3048B_1DRW	3,079	3,264	3,450
W3348B_1DRW	3,233	3,428	3,623
W3648B_1DRW	3,395	3,600	3,805
W3948B_2DRW	3,565	3,780	3,996
W4248B_2DRW	3,744	3,969	4,196
W4548B_2DRW	3,932	4,168	4,406
W4848B_2DRW	4,129	4,377	4,627

### 54" High - Four Shelves

SKU	1	2	3
W1554_1DRW	2,366	2,508	2,650
W1854_1DRW	2,485	2,634	2,783
W2154_1DRW	2,610	2,766	2,923
W2454_1DRW	2,741	2,905	3,070
W2454B_1DRW	2,879	3,051	3,224
W2754B_1DRW	3,023	3,204	3,386
W3054B_1DRW	3,175	3,365	3,556
W3354B_1DRW	3,334	3,534	3,734
W3654B_1DRW	3,501	3,711	3,921
W3954B_2DRW	3,677	3,897	4,118
W4254B_2DRW	3,861	4,092	4,324
W4554B_2DRW	4,055	4,297	4,541
W4854B_2DRW	4,258	4,512	4,769

# WALL CABINETS

## Wall Cabinets with Drawer



### 57" High - Four Shelves

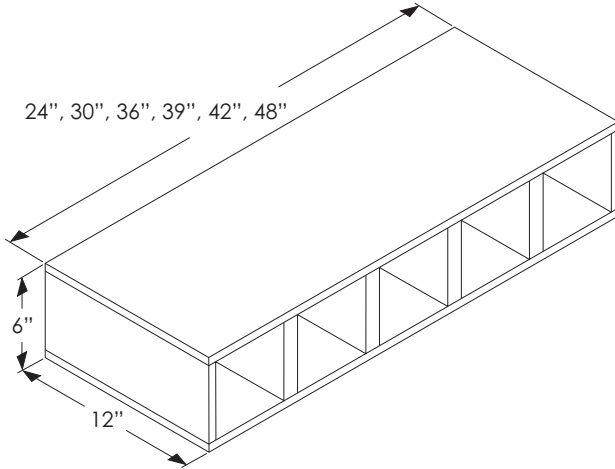
SKU	1	2	3
W1557_1DRW	2,402	2,546	2,690
W1857_1DRW	2,523	2,674	2,825
W2157_1DRW	2,650	2,808	2,967
W2457_1DRW	2,783	2,949	3,116
W2457B_1DRW	2,923	3,097	3,272
W2757B_1DRW	3,070	3,252	3,436
W3057B_1DRW	3,224	3,415	3,608
W3357B_1DRW	3,386	3,586	3,789
W3657B_1DRW	3,556	3,766	3,979
†W3957B_2DRW	3,734	3,955	4,178
W4257B_2DRW	3,921	4,153	4,387
W4557B_2DRW	4,118	4,361	4,607
W4857B_2DRW	4,324	4,580	4,838

### 60" High - Four Shelves

SKU	1	2	3
W1560_1DRW	2,438	2,584	2,730
W1860_1DRW	2,560	2,714	2,867
W2160_1DRW	2,688	2,850	3,011
W2460_1DRW	2,823	2,993	3,162
W2460B_1DRW	2,965	3,143	3,321
W2760B_1DRW	3,114	3,301	3,488
W3060B_1DRW	3,270	3,467	3,663
W3360B_1DRW	3,434	3,641	3,847
W3660B_1DRW	3,606	3,824	4,040
W3960B_2DRW	3,787	4,016	4,242
W4260B_2DRW	3,977	4,217	4,455
W4560B_2DRW	4,176	4,428	4,678
W4860B_2DRW	4,385	4,650	4,912

# WALL CABINETS

## Wall Wine Cube Cabinets



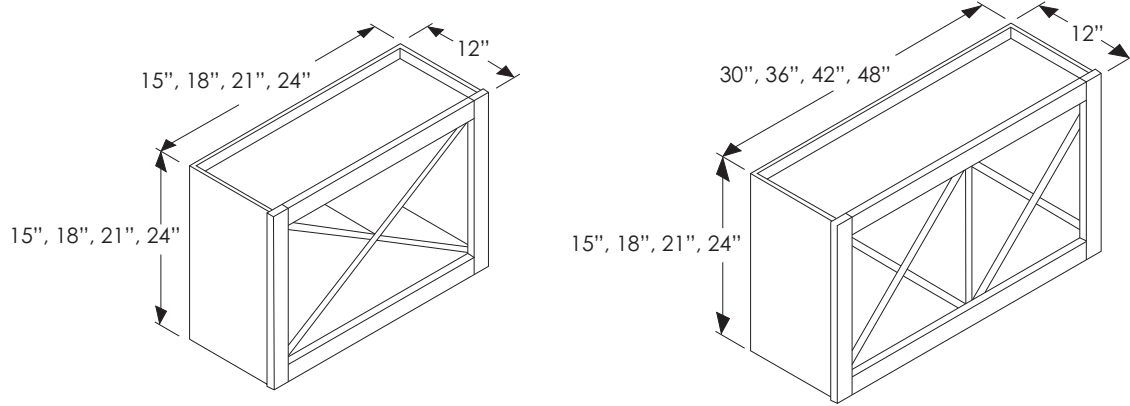
### Wine Cube

SKU	1	2	3
WCUBE24	783	783	783
WCUBE30	992	992	992
WCUBE36	1,168	1,168	1,168
WCUBE39	1,285	1,285	1,285
WCUBE42	1,363	1,363	1,363
WCUBE48	1,500	1,500	1,500

- Can be used vertically or horizontally.
- Matching finished interior is standard.
- Cabinet is finished on all sides.

# WALL CABINETS

## X Wine Wall Cabinets



- Matching finished interior is standard.

### 15" High

SKU	1	2	3
WXW1515MI	1,000	1,000	1,000
WXW3015MI	2,000	2,000	2,000

### 18" High

SKU	1	2	3
WXW1818MI	1,050	1,050	1,050
WXW3618MI	2,100	2,100	2,100

### 21" High

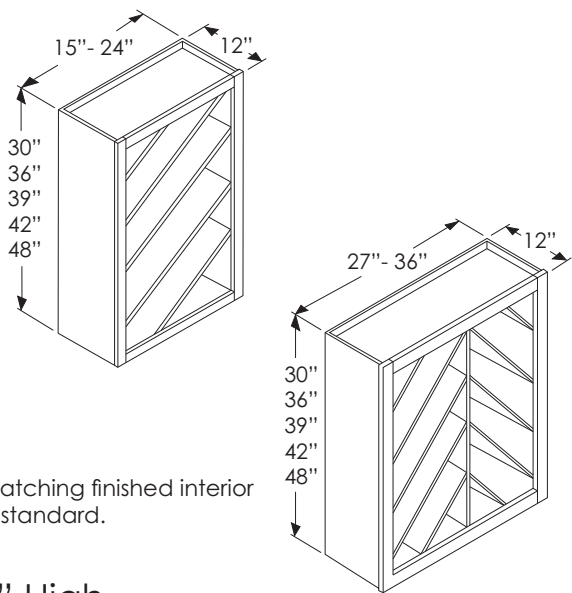
SKU	1	2	3
WXW2121MI	1,103	1,103	1,103
WXW4221MI	2,206	2,206	2,206

### 24" High

SKU	1	2	3
WXW2424MI	1,159	1,159	1,159
WXW4824MI	2,318	2,318	2,318

# WALL CABINETS

## Diagonal Wine Wall Cabinets



- Matching finished interior is standard.

### 30" High

SKU	1	2	3
WDW1530MI	1,100	1,100	1,100
WDW1830MI	1,155	1,155	1,155
WDW2130MI	1,213	1,213	1,213
WDW2430MI	1,274	1,274	1,274
WDW2730MI	1,338	1,338	1,338
WDW3030MI	1,405	1,405	1,405
WDW3330MI	1,476	1,476	1,476
WDP3630MI	1,550	1,550	1,550

### 36" High

SKU	1	2	3
WDW1536MI	1,210	1,210	1,210
WDW1836MI	1,271	1,271	1,271
WDW2136MI	1,335	1,335	1,335
WDW2436MI	1,402	1,402	1,402
WDW2736MI	1,473	1,473	1,473
WDW3036MI	1,547	1,547	1,547
WDW3336MI	1,625	1,625	1,625
WDW3636MI	1,707	1,707	1,707

### 39" High

SKU	1	2	3
WDW1539MI	1,271	1,271	1,271
WDW1839MI	1,335	1,335	1,335
WDW2139MI	1,402	1,402	1,402
WDW2439MI	1,473	1,473	1,473
WDW2739MI	1,547	1,547	1,547
WDW3039MI	1,625	1,625	1,625
WDW3339MI	1,707	1,707	1,707
WDW3639MI	1,793	1,793	1,793

### 42" High

SKU	1	2	3
WDW1542MI	1,335	1,335	1,335
WDW1842MI	1,402	1,402	1,402
WDW2142MI	1,473	1,473	1,473
WDW2442MI	1,547	1,547	1,547
WDWP2742MI	1,625	1,625	1,625
WDWP3042MI	1,707	1,707	1,707
WDWP3342MI	1,793	1,793	1,793
WDWP3642MI	1,883	1,883	1,883

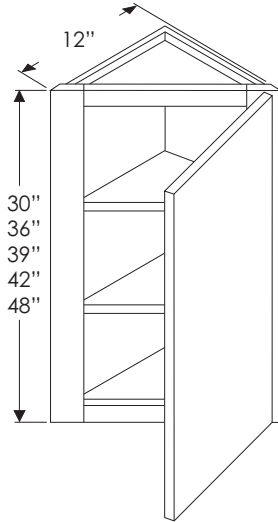
### 48" High

SKU	1	2	3
WDW1548MI	1,469	1,469	1,469
WDW1848MI	1,543	1,543	1,543
WDW2148MI	1,621	1,621	1,621
WDW2448MI	1,703	1,703	1,703
WDW2748MI	1,789	1,789	1,789
WDW3048MI	1,879	1,879	1,879
WDW3348MI	1,973	1,973	1,973
WDW3648MI	2,072	2,072	2,072



# WALL CABINETS

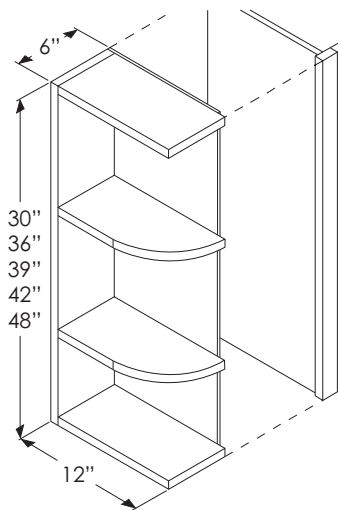
## Wall End Cabinets



### Diagonal End

SKU	1	2	3
WEC1230	1,382	1,465	1,548
WEC1236	1,465	1,553	1,641
WEC1239	1,535	1,627	1,719
WEC1242	1,535	1,627	1,719
WEC1248	1,689	1,790	1,891

- Specify Left or Right hinge.



### Open End

SKU	1	2	3
WEOS630	600	600	600
WEOS636	660	660	660
WEOS639	726	726	726
WEOS642	799	799	799
WEOS648	879	879	879

- Matching Finish Interior is standard.

# WALL CABINETS

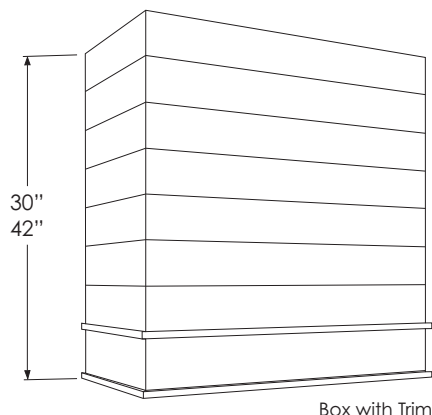
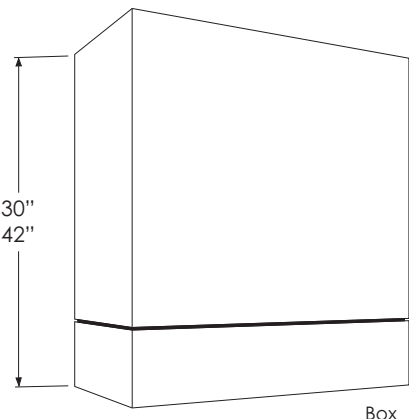
# HOODS

## Hoods Index

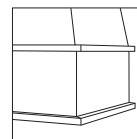
Item	Page
Hood - Box Straight _____	52
Hood - Box Ship Lap with Block Trim _____	52
Hood - Curved Hood with Trim _____	53
Hood - Tapered Hood with Trim _____	54
Hood - Ventilation _____	55

# HOODS

## Box Hoods



### Trim



Block

- 20 13/16" and 24" Depths.
- Trim options add 3/4" to overall depth and adds 1 1/2" to overall width.
- Vent-a-Hood Liner/Blower included, specify CFM needed. See page 55 for venting information.

### Box Straight - 20 13/16" Deep

SKU	Price	CFM
30" High		
HOODBOXST303021	10,688	300, 600
HOODBOXST363021	11,032	300, 600
HOODBOXST423021	12,031	300, 600
42" High		
HOODBOXST304221	11,423	300, 600
HOODBOXST364221	11,517	300, 600
HOODBOXST424221	12,235	300, 600

### Box Block Trim - 20 13/16" Deep

SKU	Price	CFM
30" High		
HOODSHIPBOXBT303021	10,688	300, 600
HOODSHIPBOXBT363021	11,032	300, 600
HOODSHIPBOXBT423021	12,031	300, 600
42" High		
HOODSHIPBOXBT304221	11,423	300, 600
HOODSHIPBOXBT364221	11,517	300, 600
HOODSHIPBOXBT424221	12,235	300, 600

### Box Straight - 24" Deep

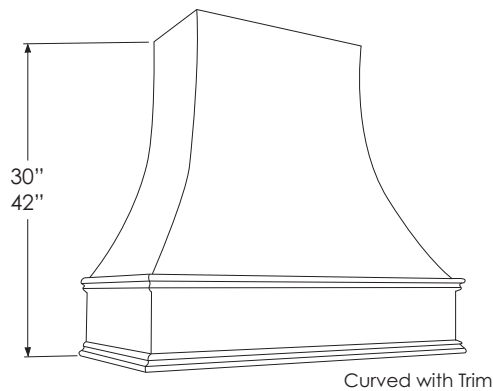
SKU	Price	CFM
30" High		
HOODBOXST303024	11,001	600
HOODBOXST363024	11,345	600
HOODBOXST423024	12,344	600
HOODBOXST483024	14,133	600, 900
HOODBOXST543024	17,250	900, 1200
HOODBOXST603024	19,501	900, 1200
42" High		
HOODBOXST304224	11,735	600
HOODBOXST364224	11,829	600
HOODBOXST424224	12,547	600
HOODBOXST484224	14,711	600, 900
HOODBOXST544224	18,000	900, 1200
HOODBOXST604224	20,063	900, 1200

### Box Block Trim - 24" Deep

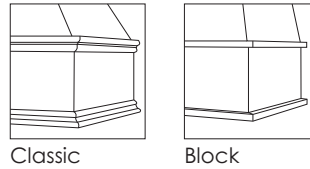
SKU	Price	CFM
30" High		
HOODSHIPBOXBT303024	11,001	600
HOODSHIPBOXBT363024	11,345	600
HOODSHIPBOXBT423024	12,344	600
HOODSHIPBOXBT483024	14,133	600, 900
HOODSHIPBOXBT543024	17,250	900, 1200
HOODSHIPBOXBT603024	19,501	900, 1200
42" High		
HOODSHIPBOXBT304224	11,735	600
HOODSHIPBOXBT364224	11,829	600
HOODSHIPBOXBT424224	12,547	600
HOODSHIPBOXBT484224	14,711	600, 900
HOODSHIPBOXBT544224	18,000	900, 1200
HOODSHIPBOXBT604224	20,063	900, 1200

# HOODS

## Curved Hoods



### Trim Options



- 20 13/16" and 24" Depths.
- Trim options add 3/4" to overall depth and adds 1 1/2" to overall width.
- Vent-a-Hood Liner/Blower included, specify CFM needed. See page 55 for venting information.

### Curved Classic Trim - 20 13/16" Deep

SKU	Price	CFM
30" High		
HOODCUVCT303021	10,688	300, 600
HOODCUVCT363021	11,032	300, 600
HOODCUVCT423021	12,031	300, 600

42" High		
HOODCUVCT304221	11,423	300, 600
HOODCUVCT364221	11,517	300, 600
HOODCUVCT424221	12,235	300, 600

### Curved Block Trim - 20 13/16" Deep

SKU	Price	CFM
30" High		
HOODCUVBT303021	10,688	300, 600
HOODCUVBT363021	11,032	300, 600
HOODCUVBT423021	12,031	300, 600

42" High		
HOODCUVBT304221	11,423	300, 600
HOODCUVBT364221	11,517	300, 600
HOODCUVBT424221	12,235	300, 600

### Curved Classic Trim - 24" Deep

SKU	Price	CFM
30" High		
HOODCUVCT303024	11,001	600
HOODCUVCT362024	11,345	600
HOODCUVCT423024	12,344	600
HOODCUVCT483024	14,133	600, 900
HOODCUVCT543024	17,250	900, 1200
HOODCUVCT603024	19,501	900, 1200

42" High		
HOODCUVCT304224	11,735	600
HOODCUVCT364224	11,829	600
HOODCUVCT424224	12,547	600
HOODCUVCT484224	14,711	600, 900
HOODCUVCT544224	18,000	900, 1200
HOODCUVCT604224	20,063	900, 1200

### Curved Block Trim - 24" Deep

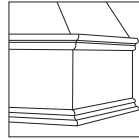
SKU	Price	CFM
30" High		
HOODCUVBT303024	11,001	600
HOODCUVBT363024	11,345	600
HOODCUVBT424224	12,344	600
HOODCUVBT483024	14,133	600, 900
HOODCUVBT543024	17,250	900, 1200
HOODCUVBT603024	19,501	900, 1200

42" High		
HOODCUVBT304224	11,735	600
HOODCUVBT364224	11,829	600
HOODCUVBT424224	12,547	600
HOODCUVBT484224	14,711	600, 900
HOODCUVBT544224	18,000	900, 1200
HOODCUVBT604224	20,063	900, 1200

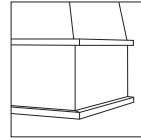
# HOODS

## Tapered Hoods

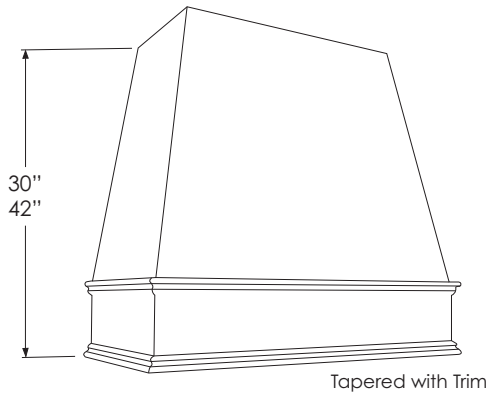
### Trim Options



Classic



Block



- 20 13/16" and 24" Depths.
- Trim options add 3/4" to overall depth and adds 1 1/2" to overall width.
- Vent-a-Hood Liner/Blower included, specify CFM needed. See page 55 for venting information.

### Tapered Classic Trim - 20 13/16" Deep

SKU	Price	CFM
30" High		
HOODTPRCT303021	10,688	300, 600
HOODTPRCT363021	11,032	300, 600
HOODTPRCT423021	12,031	300, 600

42" High		
HOODTPRCT304221	11,423	300, 600
HOODTPRCT364221	11,517	300, 600
HOODTPRCT424221	12,235	300, 600

### Tapered Block Trim - 20 13/16" Deep

SKU	Price	CFM
30" High		
HOODTPRBT303021	10,688	300, 600
HOODTPRBT363021	11,032	300, 600
HOODTPRBT423021	12,031	300, 600

42" High		
HOODTPRBT304221	11,423	300, 600
HOODTPRBT364221	11,517	300, 600
HOODTPRBT424221	12,235	300, 600

### Tapered Classic Trim - 24" Deep

SKU	Price	CFM
30" High		
HOODTPRCT303024	11,001	600
HOODTPRCT363024	11,345	600
HOODTPRCT423024	12,344	600
HOODTPRCT483024	14,133	600, 900
HOODTPRCT543024	17,250	900, 1200
HOODTPRCT603024	19,501	900, 1200

42" High		
HOODTPRCT304224	11,735	600
HOODTPRCT364224	11,829	600
HOODTPRCT424224	12,547	600
HOODTPRCT484224	14,711	600, 900
HOODTPRCT544224	18,000	900, 1200
HOODTPRCT604224	20,063	900, 1200

### Tapered Block Trim - 24" Deep

SKU	Price	CFM
30" High		
HOODTPRBT303024	11,001	600
HOODTPRBT363024	11,345	600
HOODTPRBT423024	12,344	600
HOODTPRBT483024	14,133	600, 900
HOODTPRBT543024	17,250	900, 1200
HOODTPRBT503024	19,501	900, 1200

42" High		
HOODTPRBT304224	11,735	600
HOODTPRBT364224	11,829	600
HOODTPRBT424224	12,547	600
HOODTPRBT484224	14,711	600, 900
HOODTPRBT544224	18,000	900, 1200
HOODTPRBT604224	20,063	900, 1200

# HOODS

## Ventilation

Liner	CFM	Width	Depth	OMIT Liner/Blower Credit
BH128SLD-SS	300	28 3/8"	19 1/4"	-5938
BH134SLD-SS	300	34 3/8"	19 1/4"	-5938
BH140SLD-SS	300	40 3/8"	19 1/4"	-6406
BH228SLD-SS	600	28 3/8"	19 1/4"	-5938
BH234SLD-SS	600	34 3/8"	19 1/4"	-5938
BH240SLD-SS	600	40 3/8"	19 1/4"	-6406
BH228PSLD-SS	600	28 3/8"	22 1/2"	-5938
BH234PSLD-SS	600	34 3/8"	22 1/2"	-5938
BH240PSLD-SS	600	40 3/8"	22 1/2"	-6406
BH246PSLD-SS	600	46 3/8"	22 1/2"	-8078
BH346PSLD-SS	900	46 3/8"	22 1/2"	-8078
BH352PSLD-SS	900	52 3/8"	22 1/2"	-1100
BH358PSLD-SS	900	58 3/8"	22 1/2"	-12719
BH452PSLD-SS	1200	52 3/8"	22 1/2"	-11000
BH458PSLD-SS	1200	58 3/8"	22 1/2"	-12719

- Dealers are responsible for verifying appliance specifications and local building codes for clearances, ventilation requirements, and mounting heights.
- Consult with a HVAC professional to determine if make-up air is required.
- Hoods have been designed to accommodate Vent-a-Hood liners/blowers.
- Liner/Blower is included in the price of the hood. Liner/Blower can be omitted. See chart above for credit information. Specify Omit Liner/Blower when ordering.
- See charts on each hood page and above chart for CFM options. Specify CFM when ordering.
- Liner/Blower is shipped loose to be installed on the jobsite.

# HOODS



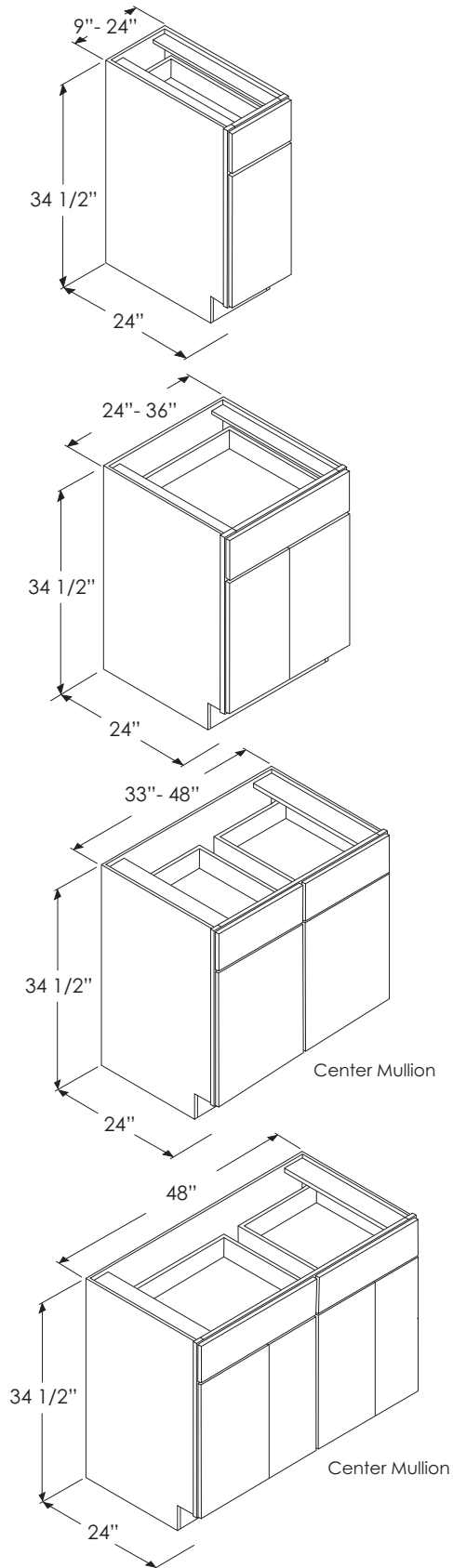
# BASE CABINETS

## Base Index

Item	Page
Base Angle End _____	75
Base Cabinet _____	58
Base Sink Front _____	63
Blind Corner Base Cabinet _____	66
Base Corner End _____	75
Diagonal Corner Base _____	67
Diagonal Sink Front Base _____	64
Diagonal Wine Rack Base _____	76
Sink Base Farm Sink _____	65
Full Height Door Base _____	59
Four Drawer Base _____	61
Microwave Base _____	69
Peninsula Starter Base Cabinet _____	68
Pull-Out Storage Base Cabinet _____	74
Roll-Out Base Cabinet _____	71 - 72
Sink Base Cabinet _____	62
Sink Floor _____	64
Square Corner Base _____	67
Square Corner Lazy Susan Base _____	67
Three Drawer Base Cabinet _____	60
Transitional End Base _____	75
Base Trash Pull Out _____	70
Base Tray Divider _____	73
Two Drawer Base _____	60

# BASE CABINETS

## Base Cabinets

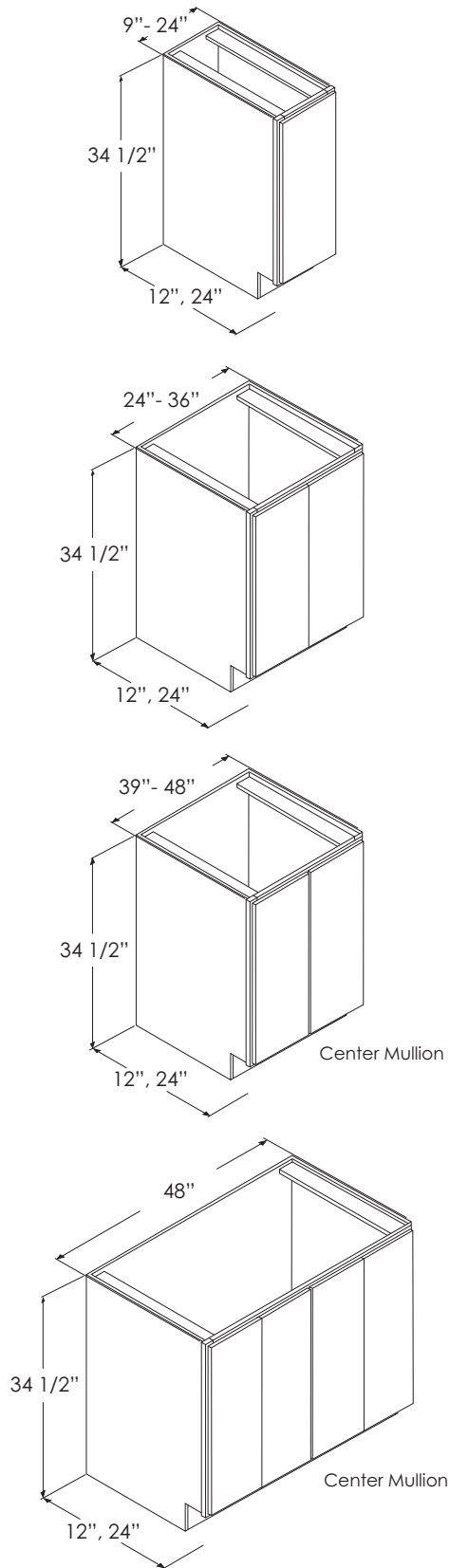


### Base Cabinet

SKU	1	2	3
B9	788	835	883
B12	818	867	916
B15	870	922	974
B18	910	965	1,019
B21	995	1,055	1,114
B24	1,015	1,076	1,137
B24B	1,015	1,076	1,137
B27B	1,145	1,214	1,282
B30B	1,228	1,302	1,375
B33B	1,322	1,401	1,481
B36B	1,372	1,454	1,537
B33_2DRW	1,510	1,601	1,691
B36_2DRW	1,580	1,675	1,770
B39	1,388	1,471	1,555
B42	1,428	1,514	1,599
B45	1,475	1,564	1,652
B48	1,522	1,613	1,705
B48B (4 DOORS)	1,522	1,613	1,705

# BASE CABINETS

## Full Height Door Base Cabinets



### Full Height Door Cabinet - 24" Deep

SKU	1	2	3
BFH9	678	719	759
BFH12	818	867	916
BFH15	870	922	974
BFH18	910	965	1,019
BFH21	995	1,055	1,114
BFH24	1,015	1,076	1,137
BFH24B	1,015	1,076	1,137
BFH27B	1,145	1,214	1,282
BFH30B	1,228	1,302	1,375
BFH33B	1,322	1,401	1,481
BFH36B	1,372	1,454	1,537
BFH39	1,388	1,471	1,555
BFH42	1,428	1,514	1,599
BFH45	1,475	1,564	1,652
BFH48	1,522	1,613	1,705
BFH48B (4 DOORS)	1,522	1,613	1,705

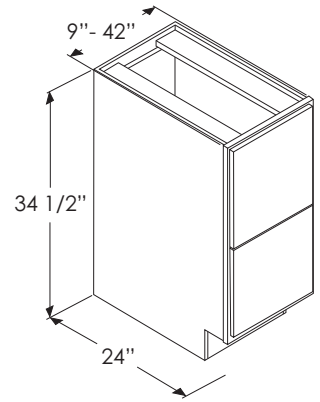
### Full Height Door Cabinet - 12" Deep

SKU	1	2	3
BFH912	678	719	759
BFH1212	818	867	916
BFH1512	870	922	974
BFH1812	910	965	1,019
BFH2112	995	1,055	1,114
BFH2412	1,015	1,076	1,137
BFH2412B	1,015	1,076	1,137
BFH2712B	1,145	1,214	1,282
BFH3012B	1,228	1,302	1,375
BFH3312B	1,322	1,401	1,481
BFH3612B	1,372	1,454	1,537
BFH3912	1,388	1,471	1,555
BFH4212	1,428	1,514	1,599
BFH4512	1,475	1,564	1,652
BFH4812	1,522	1,613	1,705
BFH4812B (4 DOORS)	1,522	1,613	1,705

# BASE CABINETS

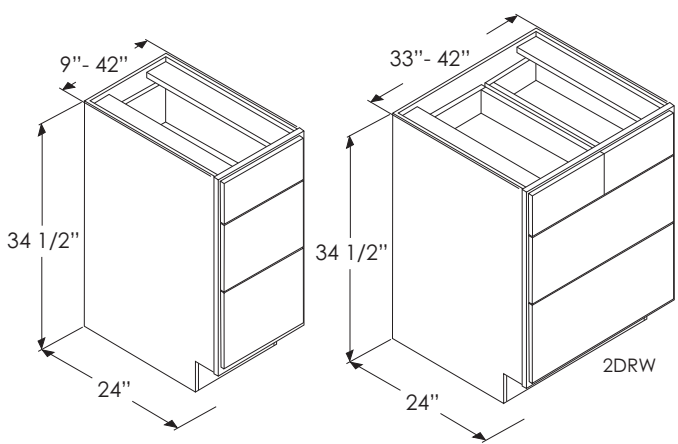
## Drawer Base Cabinets

### Two Drawer Cabinet



SKU	1	2	3
B2D9	1,020	1,081	1,142
B2D12	1,068	1,132	1,196
B2D15	1,155	1,224	1,294
B2D18	1,232	1,306	1,380
B2D21	1,322	1,401	1,481
B2D24	1,415	1,500	1,585
B2D27	1,485	1,574	1,663
B2D30	1,615	1,712	1,809
B2D33	1,745	1,850	1,954
B2D36	1,840	1,950	2,061
B2D39	1,939	2,048	2,165
B2D42	2,029	2,151	2,274

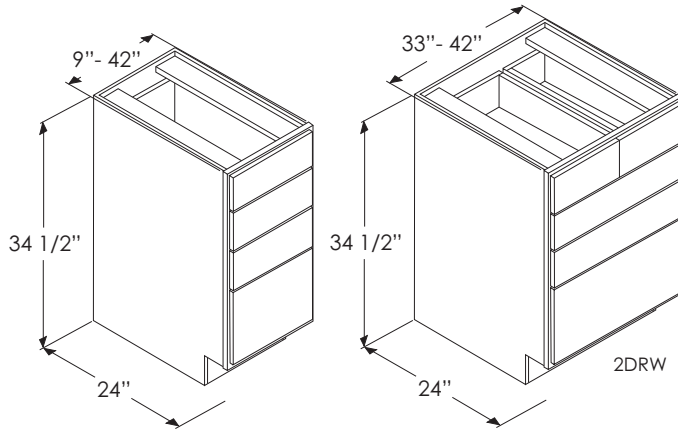
### Three Drawer Cabinet



SKU	1	2	3
B3D9	1,020	1,081	1,142
B3D12	1,068	1,132	1,196
B3D15	1,155	1,224	1,294
B3D18	1,232	1,306	1,380
B3D21	1,322	1,401	1,481
B3D24	1,415	1,500	1,585
B3D27	1,485	1,574	1,663
B3D30	1,615	1,712	1,809
B3D33	1,745	1,850	1,954
B3D36	1,840	1,950	2,061
B3D39	1,932	2,048	2,165
B3D42	2,087	2,212	2,165
B3D33_2DRW	1,920	2,035	2,150
B3D36_2DRW	2,024	2,145	2,268
B3D39_2DRW	2,126	2,253	2,382
B3D42_2DRW	2,296	2,434	2,382

# BASE CABINETS

## Drawer Base Cabinets

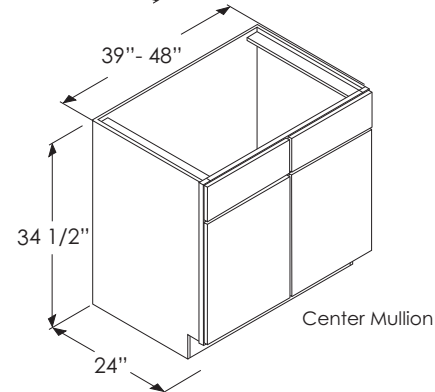
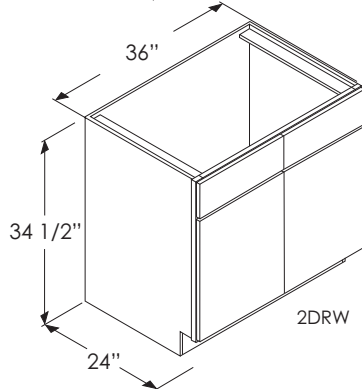
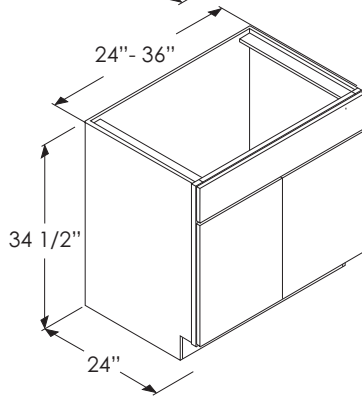
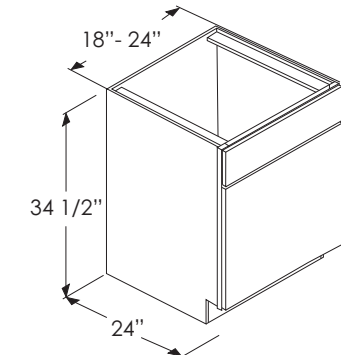


### Four Drawer Cabinet

SKU	1	2	3
B4D9	1,052	1,115	1,178
B4D12	1,105	1,171	1,238
B4D15	1,188	1,259	1,331
B4D18	1,275	1,352	1,428
B4D21	1,362	1,444	1,525
B4D24	1,468	1,556	1,644
B4D27	1,582	1,677	1,772
B4D30	1,740	1,844	1,949
B4D33	2,020	2,141	2,262
B4D36	2,300	2,438	2,576
B4D42	2,530	2,682	2,834
B4D33_2DRW	2,222	2,356	2,489
B4D36_2DRW	2,530	2,682	2,834
B4D39_2DRW	2,657	2,817	2,976
B4D42_2DRW	2,790	2,958	3,125

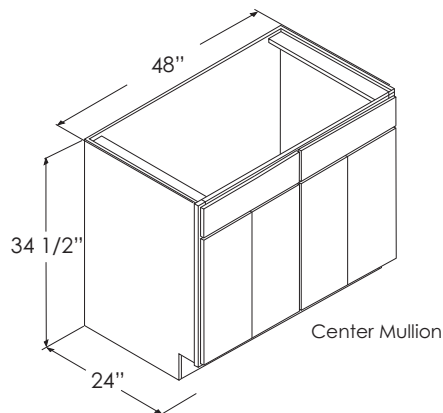
# BASE CABINETS

## Sink Base Cabinets



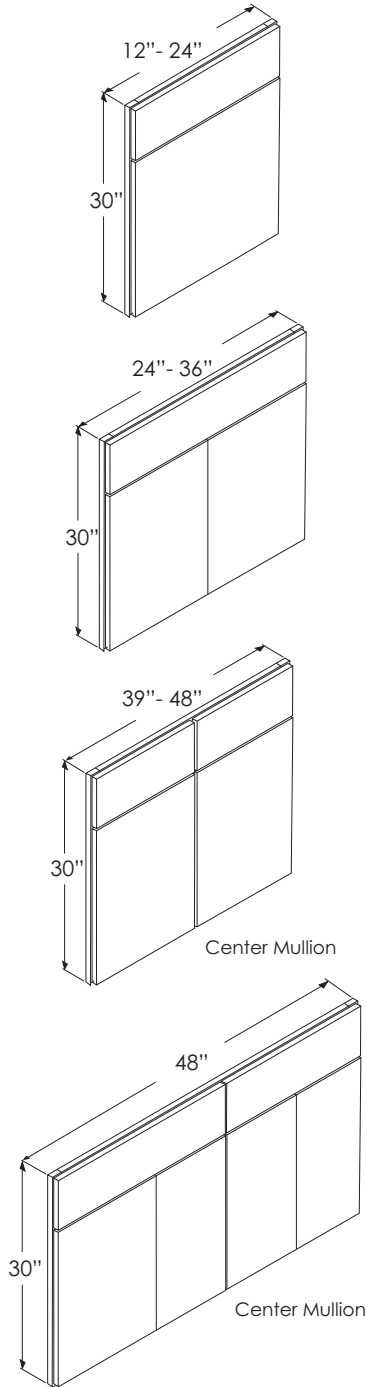
### Sink Base

SKU	1	2	3
SB18	818	867	916
SB21	862	914	965
SB24	878	931	983
SB24B	878	931	983
SB27B	958	1,015	1,073
SB30B	1,010	1,071	1,131
SB33B	1,062	1,126	1,189
SB36B	1,132	1,200	1,268
SB36B_2DRW	1,182	1,250	1,318
SB39	1,185	1,256	1,327
SB42	1,238	1,312	1,387
SB45	1,360	1,442	1,523
SB48	1,392	1,476	1,559
SB48B (4 DOORS)	1,392	1,476	1,559



# BASE CABINETS

## Base Sink Fronts



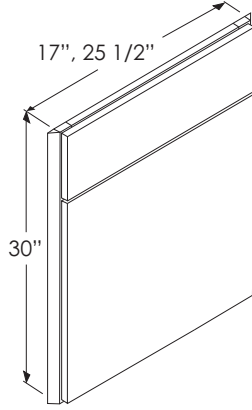
### Sink Front

SKU	1	2	3
SF12	452	479	506
SF15	462	490	517
SF18	478	507	535
SF21	488	517	547
SF24	505	535	566
SF24B	505	535	566
SF27B	572	606	641
SF30B	632	670	708
SF33B	680	721	762
SF36B	745	790	834
SF39	802	850	898
SF42	840	890	941
SF45	928	984	1,039
SF48	948	1,005	1,062
SF48B (4 DOORS)	948	1,005	1,062

- Sink Floor is on next page.
- Sink Floor and Toe Kick must be ordered seperately.

# BASE CABINETS

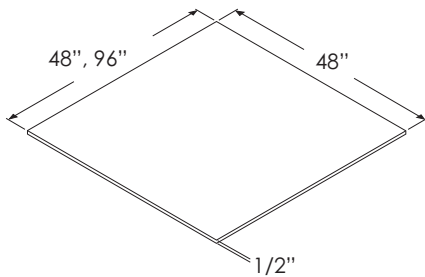
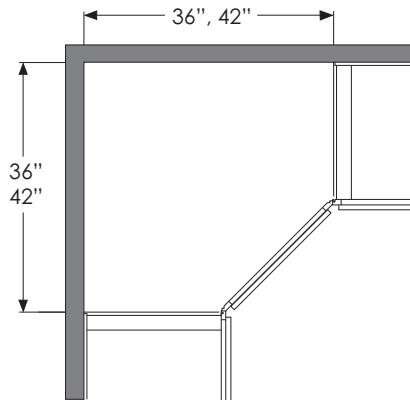
## Diagonal Sink Front



## Diagonal Sink Front

SKU	1	2	3
DSF36	570	604	638
DSF42	642	681	719

- Sink Floor and Toe Kick must be ordered separately.



## Sink Floor

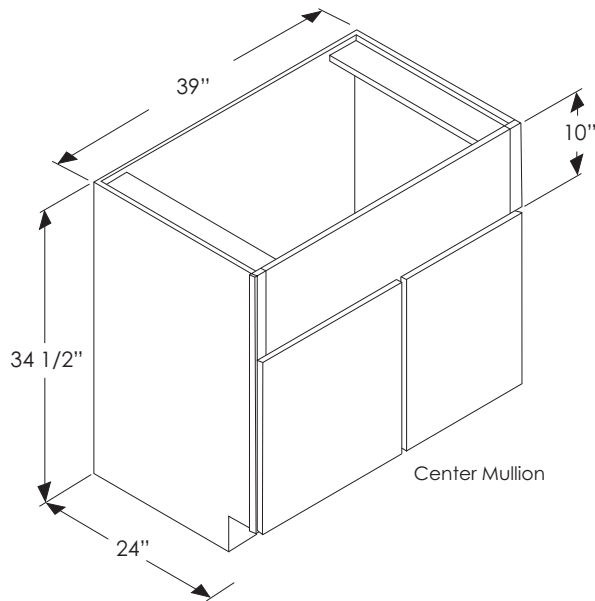
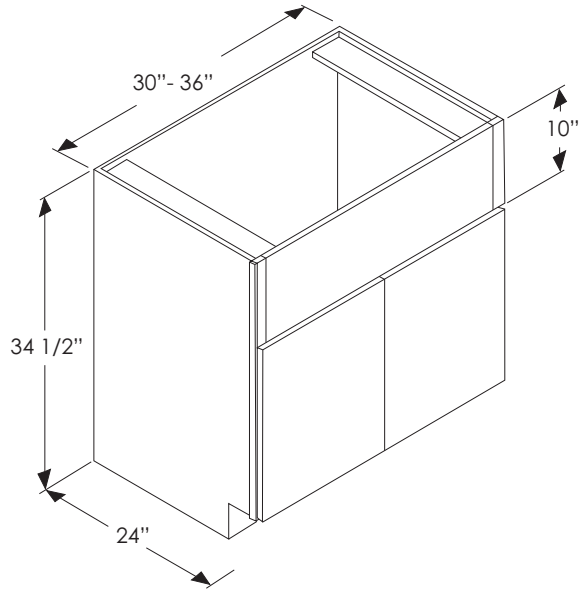
SKU	1	2	3
SFF4848	124	124	124
SFF4896	241	241	241
SFF4848MI	148	148	148
SFF4896MI	289	289	289

- 96" length is intended for use with diagonal sink front.



# BASE CABINETS

## Farm Sink Base Cabinets

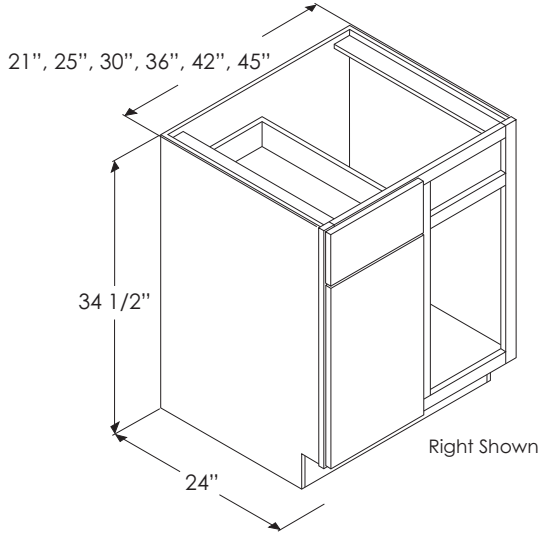


### Farm Sink

SKU	1	2	3
FSB30B	1,358	1,439	1,521
FSB33B	1,428	1,514	1,599
FSB36B	1,520	1,611	1,702
FSB39	1,672	1,773	1,873

# BASE CABINETS

## Blind Corner Base Cabinets



SKU	Cabinet Width	Min Pull	Max Pull	Door Size
BBC33	21"	14"	16 1/2"	8 1/2"
BBC36	25"	12"	14 1/2"	10 1/2"
BBC39	30"	9 1/2"	12"	13"
BBC42	36"	6 1/2"	9"	16"
BBC45	42"	3 1/2"	6"	19"
BBC48	45"	2 1/4"	4 1/2"	20 1/2"

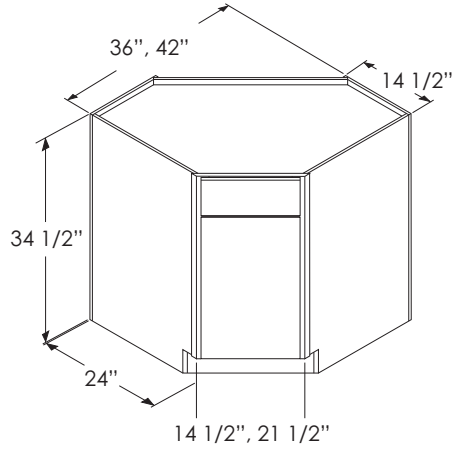
- Specify Blind Left or Right.
- Refer to chart above for actual cabinet width per SKU.
- Blind Corner Base Cabinets need to be pulled. Refer to chart above for dimensions.
- Filler NOT included.

### Blind Corner

SKU	1	2	3
BBC33	1,028	1,090	1,151
BBC36	1,042	1,105	1,167
BBC39	1,110	1,177	1,243
BBC42	1,218	1,291	1,364
BBC45	1,340	1,420	1,501
BBC48	1,388	1,471	1,555

# BASE CABINETS

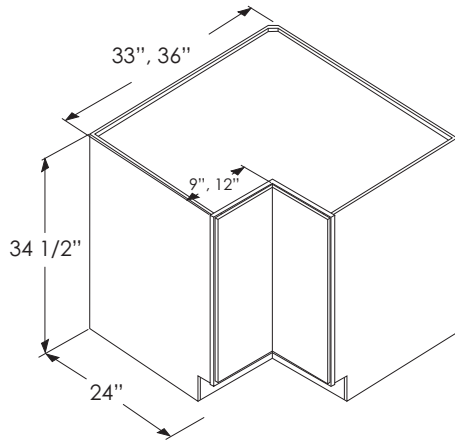
## Corner Base Cabinets



### Diagonal Corner

SKU	1	2	3
DC36	2,148	2,277	2,406
DC42	2,678	2,839	2,999

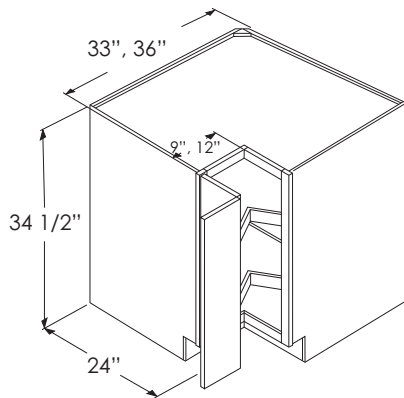
- Specify Left or Right hinge.



### Square Corner

SKU	1	2	3
SSCB33	2,475	2,624	2,772
SSCB36	2,475	2,624	2,772

- Specify Left or Right hinge.



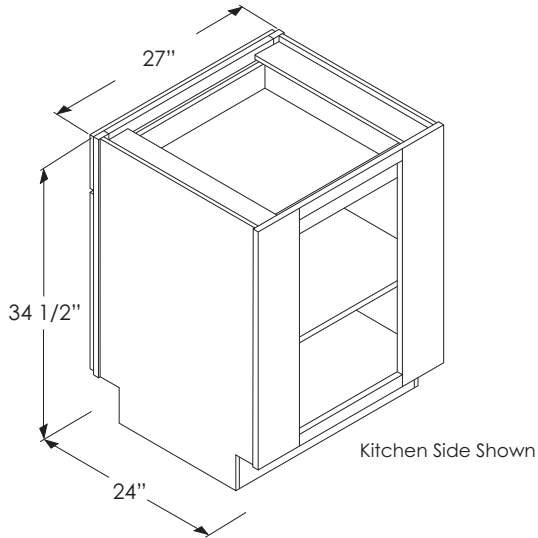
### Lazy Susan

SKU	1	2	3
SLS33	3,645	3,794	3,942
SLS36	3,645	3,794	3,942

- Specify Left or Right hinge.
- Two natural wood Lazy Susan shelves attached to fixed center shelf and bottom of cabinet.

# BASE CABINETS

## Peninsula Starter Base Cabinet



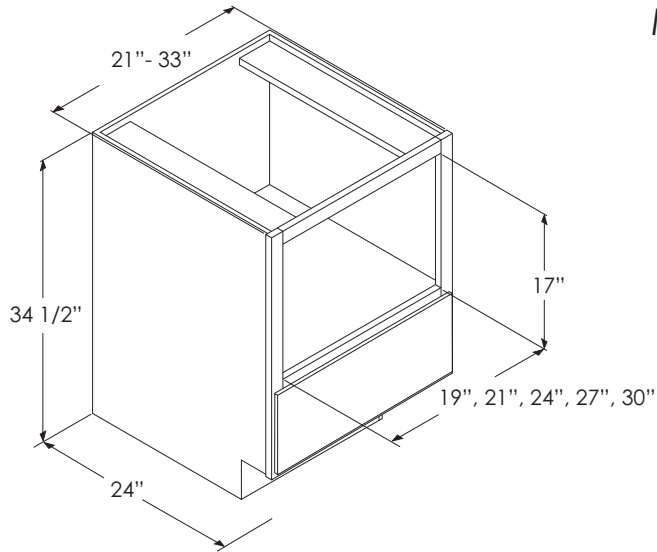
### Peninsula Starter Base Cabinet

SKU	1	2	3
PBCC27B	1,595	1,691	1,786

- Dining side includes one drawer and two butt doors.

# BASE CABINETS

## Microwave Base Cabinet



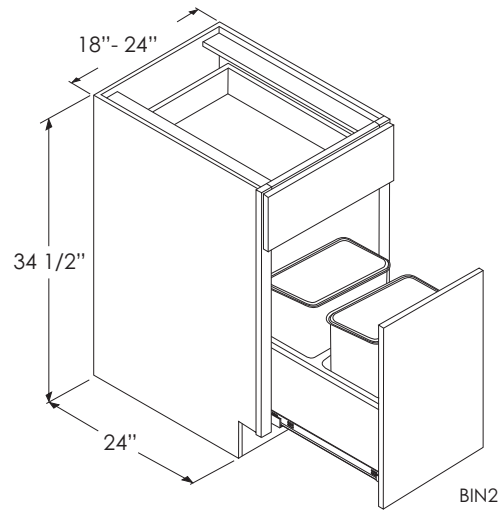
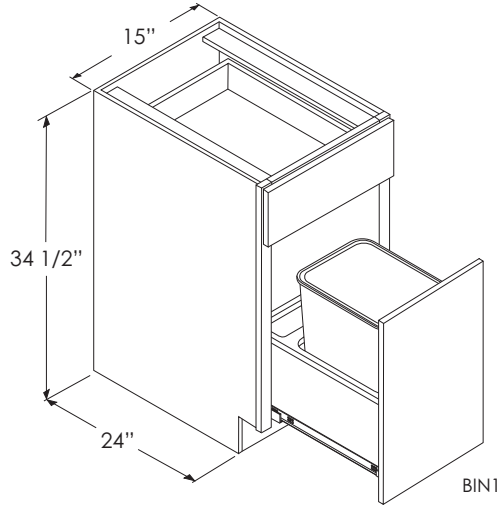
### Microwave

SKU	1	2	3
BMW21MI	2,008	2,128	2,249
BMW24MI	2,170	2,300	2,430
BMW27MI	2,332	2,472	2,612
BMW30MI	2,500	2,650	2,800
BMW33MI	2,675	2,836	2,996

- Opening width is 3" less than cabinet width.
- Opening height is 17" high.

# BASE CABINETS

## Trash Pull Out Base Cabinets



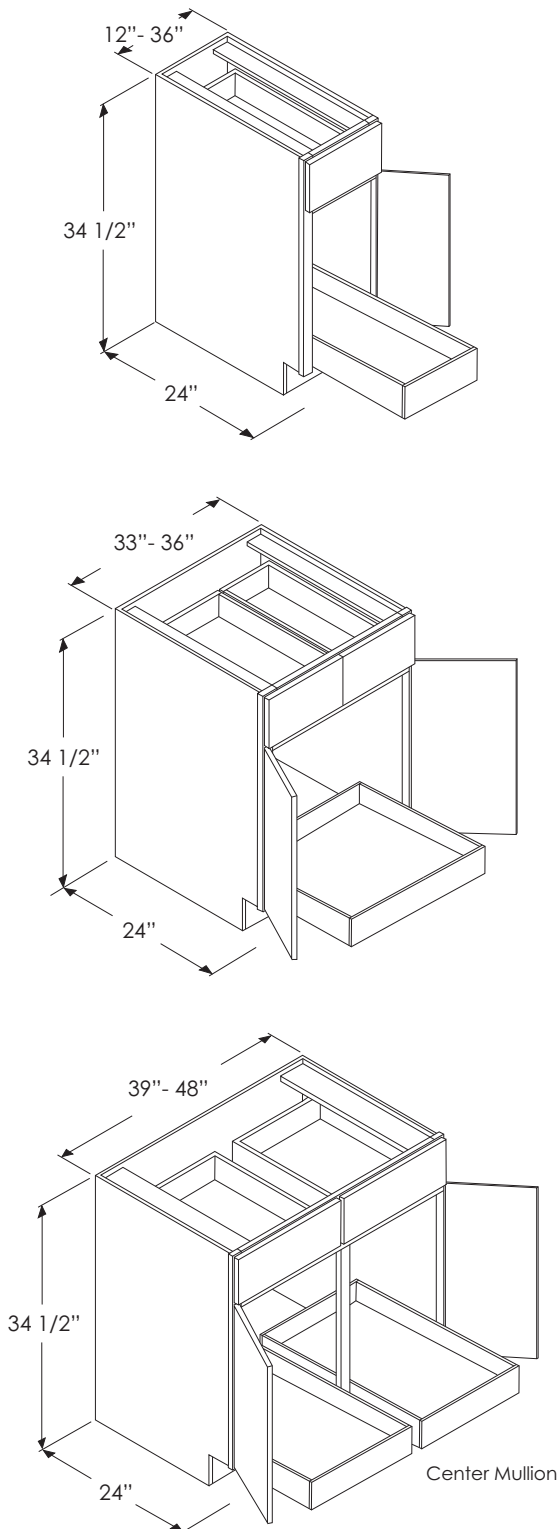
### Trash Pull Out Cabinets

SKU	1	2	3
B15_BIN1	2,067	2,119	2,171
B18_BIN2	2,172	2,227	2,281
B21_BIN2	2,257	2,317	2,376
B24_BIN2	2,483	2,549	2,614

- Removable, 34 quart waste baskets.

# BASE CABINETS

## Roll Out Base Cabinets



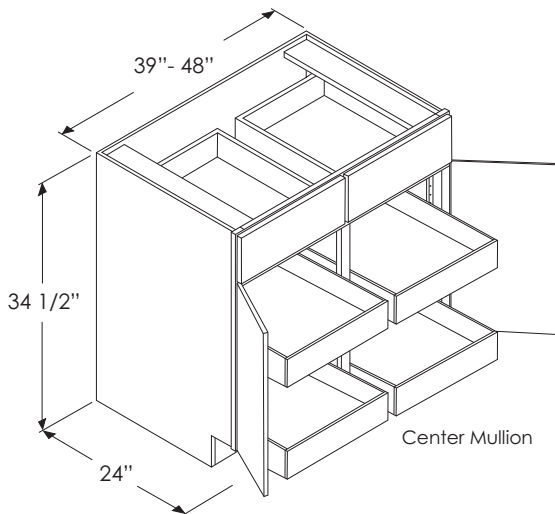
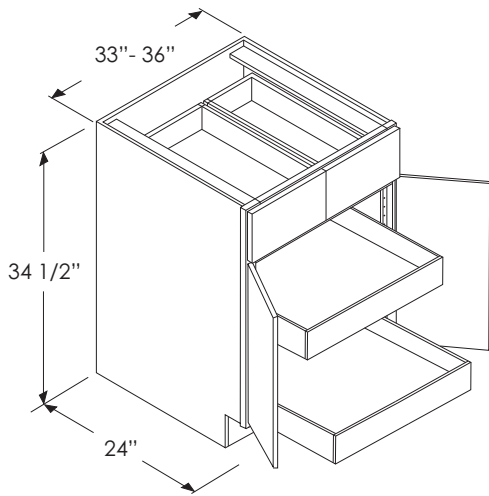
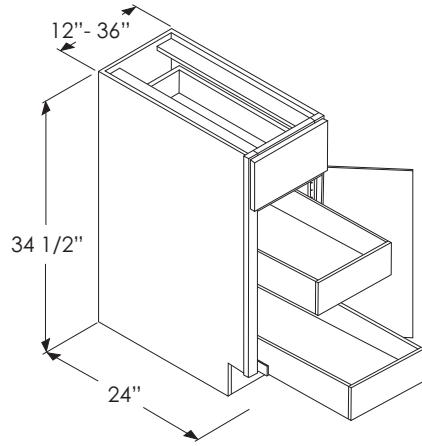
### Base Cabinets - One Roll Out

SKU	1	2	3
B12_ROS1	1,716	1,765	1,814
B15_ROS1	1,795	1,847	1,899
B18_ROS1	1,863	1,918	1,972
B21_ROS1	1,977	2,037	2,096
B24_ROS1	2,027	2,088	2,149
B24B_ROS1	2,027	2,088	2,149
B27B_ROS1	2,188	2,257	2,325
B30B_ROS1	2,303	2,377	2,450
B33B_ROS1	2,430	2,509	2,589
B36B_ROS1	2,514	2,596	2,679
B33B_2DRW_ROS1	2,518	2,609	2,699
B36B_2DRW_ROS1	2,622	2,717	2,812
B39_ROS2	3,191	3,274	3,358
B42_ROS2	3,292	3,378	3,463
B45_ROS2	3,401	3,490	3,578
B48_ROS2	3,512	3,603	3,695
B48B_ROS2	3,512	3,603	3,695

- Half adjustable shelf included.

# BASE CABINETS

## Roll Out Base Cabinets



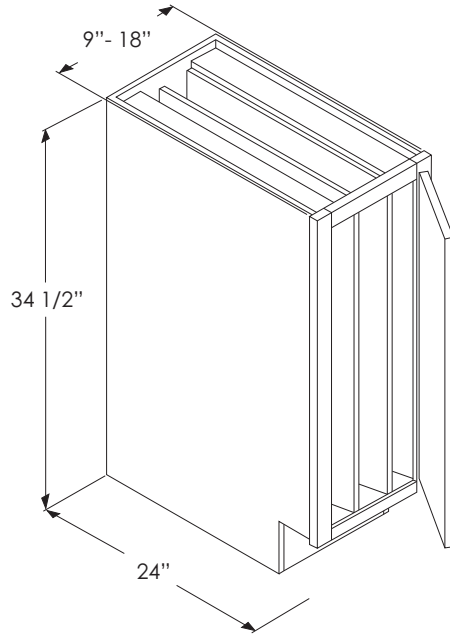
### Base Cabinets - Two Roll Outs

SKU	1	2	3
B12_ROS2	1,816	1,865	1,914
B15_ROS2	1,895	1,947	1,999
B18_ROS2	1,963	2,018	2,072
B21_ROS2	2,077	2,137	2,196
B24_ROS2	2,127	2,188	2,249
B24B_ROS2	2,127	2,188	2,249
B27B_ROS2	2,288	2,357	2,425
B30B_ROS2	2,403	2,477	2,550
B33B_ROS2	2,530	2,609	2,689
B36B_ROS2	2,614	2,696	2,779
B33B_2DRW_ROS2	2,618	2,709	2,799
B36B_2DRW_ROS2	2,722	2,817	2,912
B39_ROS4	3,391	3,474	3,558
B42_ROS4	3,492	3,578	3,663
B45_ROS4	3,601	3,690	3,778
B48_ROS4	3,712	3,803	3,895
B48B_ROS4	3,712	3,803	3,895



# BASE CABINETS

## Tray Divider Base Cabinets



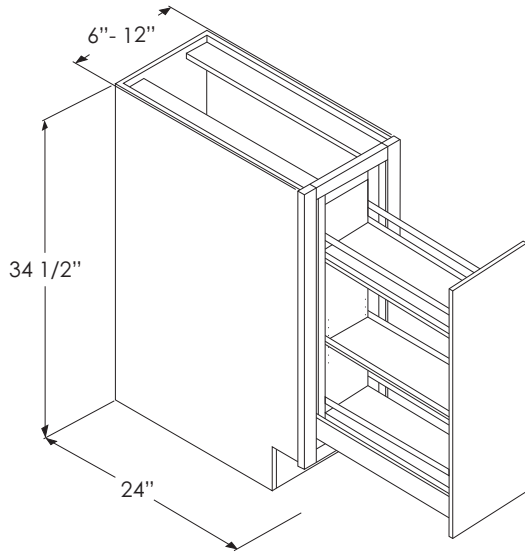
### Tray Divider Base Cabinets

SKU	1	2	3
TB9_DIV2	978	1,019	1,059
TB12_DIV2	1,118	1,167	1,216
TB15_DIV2	1,270	1,322	1,374
TB18_DIV2	1,310	1,365	1,419

- Removable partitions.

# BASE CABINETS

## Pull-Out Storage Base Cabinets

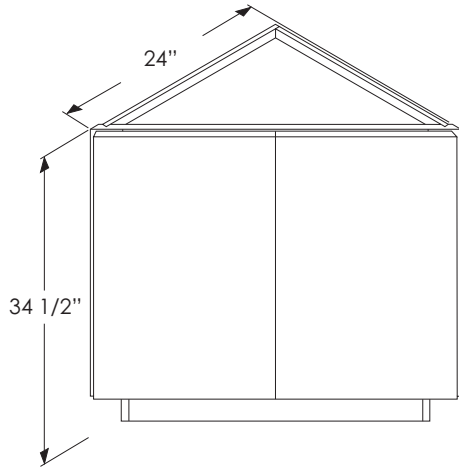


### Pull-Out Storage Base Cabinets

SKU	1	2	3
BFH6_BCSC	1,958	1,999	2,039
BFH9_BCSC	1,958	1,999	2,039
BFH12_BCSC	2,258	2,307	2,356

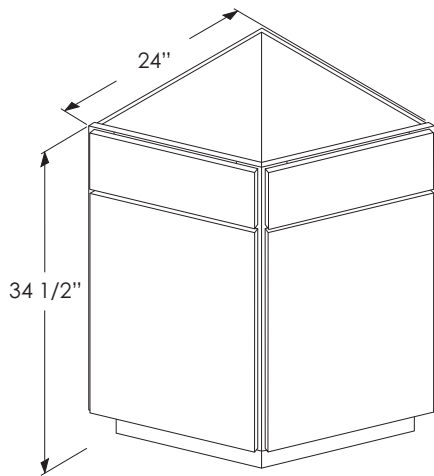
# BASE CABINETS

## End Base Cabinets



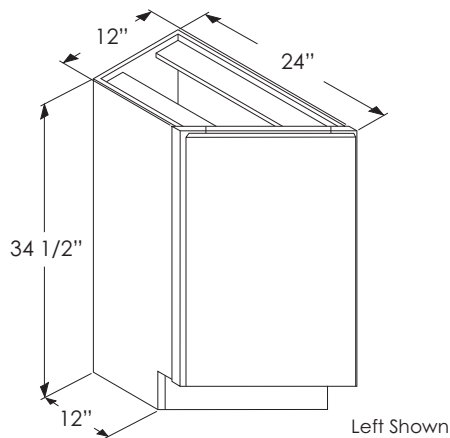
### Corner End

SKU	1	2	3
BEC24B	2,560	2,714	2,867



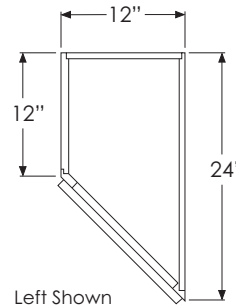
### Angle End

SKU	1	2	3
AEB24	2,732	2,896	3,060



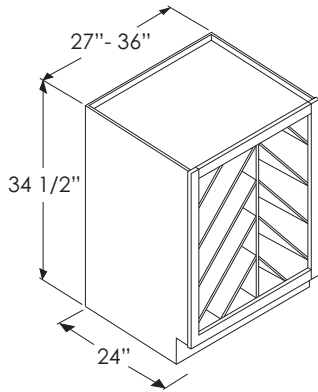
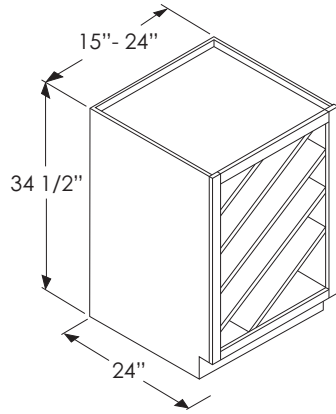
### Transitional End

SKU	1	2	3
AB12L	1,618	1,715	1,812
AB12R	1,618	1,715	1,812



# BASE CABINETS

## Wine Base Cabinets



### Diagonal Wine Rack

SKU	1	2	3
BDW1524MI	1,375	1,375	1,375
BDW1824MI	1,444	1,444	1,444
BDW2124MI	1,517	1,517	1,517
BDW2424MI	1,593	1,593	1,593
BDWP2724MI	1,673	1,673	1,673
BDWP3024MI	1,757	1,757	1,757
BDWP3324MI	1,845	1,845	1,845
BDWP3624MI	1,938	1,938	1,938

- Matching Finished Interior standard.

# BASE CABINETS

# BASE CABINETS

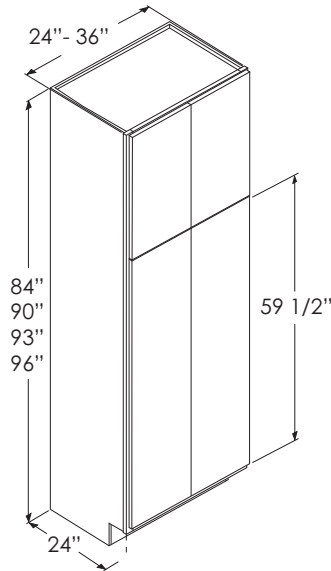
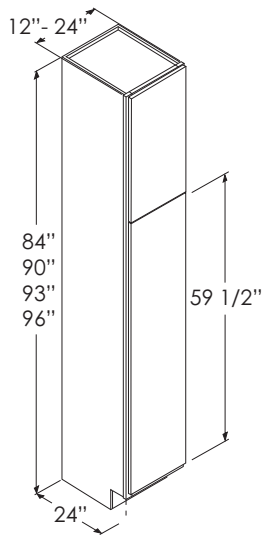
# TALL CABINETS

## Tall Index

Item	Page
Tall Double Oven Cabinet _____	82
Tall Oven Cabinet with 2 Drawers _____	84
Tall Shallow Depth Tall Cabinet _____	81
Tall Single Oven Cabinet _____	83
Tall Cabinet _____	80
Tall Three Drawer Tall Cabinet _____	85

# TALL CABINETS

## Tall Cabinets



- 59 1/2" High dimension indicates bottom opening.

### 84" High - Three Shelves

SKU	1	2	3
T128424	1,662	1,762	1,861
T158424	1,868	1,980	2,092
T188424	2,090	2,215	2,341
T218424	2,328	2,468	2,607
T248424	2,548	2,701	2,854
T248424B	2,548	2,701	2,854
T278424B	2,902	3,076	3,250
T308424B	3,262	3,458	3,653
T338424B	3,475	3,684	3,892
T368424B	3,680	3,901	4,122

### 90" High - Three Shelves

SKU	1	2	3
T129024	1,720	1,823	1,926
T159024	1,992	2,112	2,231
T189024	2,232	2,366	2,500
T219024	2,475	2,624	2,772
T249024	2,708	2,870	3,033
T249024B	2,708	2,870	3,033
T279024B	3,402	3,606	3,810
T309024B	3,402	3,606	3,810
T339024B	3,645	3,864	4,082
T369024B	3,888	4,121	4,355

### 93" High - Three Shelves

SKU	1	2	3
T129324	1,855	1,966	2,078
T159324	2,098	2,224	2,350
T189324	2,355	2,496	2,638
T219324	2,602	2,758	2,914
T249324	2,855	3,026	3,198
T249324B	2,855	3,026	3,198
T279324B	3,592	3,808	4,023
T309324B	3,592	3,808	4,023
T339324B	3,845	4,076	4,306
T369324B	4,102	4,348	4,594

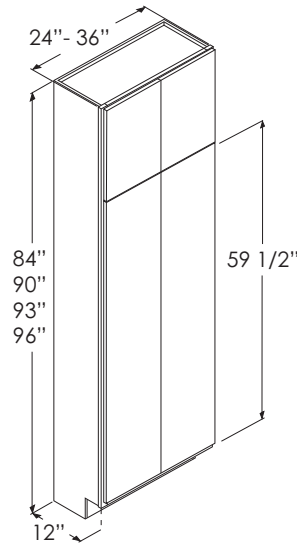
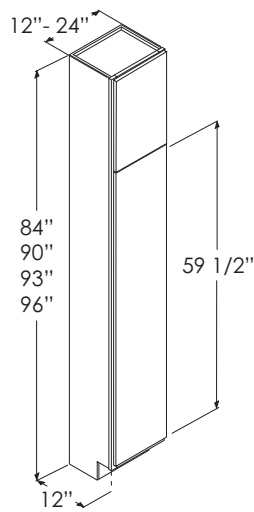
### 96" High - Three Shelves

SKU	1	2	3
T129624	1,855	1,966	2,078
T159624	2,098	2,224	2,350
T189624	2,355	2,496	2,638
T219624	2,602	2,758	2,914
T249624	2,855	3,026	3,198
T249624B	2,855	3,026	3,198
T279624B	3,592	3,808	4,023
T309624B	3,592	3,808	4,023
T339624B	3,845	4,076	4,306
T369624B	4,102	4,348	4,594



# TALL CABINETS

## Shallow Depth Tall Cabinets



- 59 1/2" High dimension indicates bottom opening.

### 84" High - Three Shelves

SKU	1	2	3
T128412	1,340	1,420	1,501
T158412	1,538	1,630	1,723
T188412	1,745	1,850	1,954
T218412	1,970	2,088	2,206
T248412	2,175	2,306	2,436
T248412B	2,175	2,306	2,436
T278412B	2,858	3,029	3,201
T308412B	2,858	3,029	3,201
T338412B	3,050	3,233	3,416
T368412B	3,252	3,447	3,642

### 90" High - Three Shelves

SKU	1	2	3
T129012	1,380	1,463	1,546
T159012	1,642	1,741	1,839
T189012	1,865	1,977	2,089
T219012	2,085	2,210	2,335
T249012	2,320	2,459	2,598
T249012B	2,320	2,459	2,598
T279012B	2,985	3,164	3,343
T309012B	2,985	3,164	3,343
T339012B	3,208	3,400	3,593
T369012B	3,432	3,638	3,844

### 93" High - Three Shelves

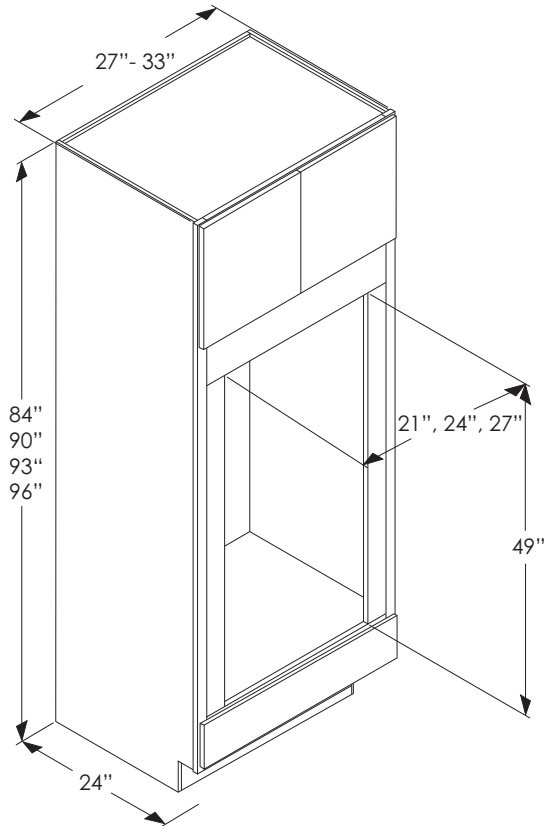
SKU	1	2	3
T129312	1,502	1,592	1,682
T159312	1,725	1,828	1,932
T189312	1,972	2,090	2,209
T219312	2,205	2,337	2,470
T249312	2,438	2,584	2,731
T249312B	2,438	2,584	2,731
T279312B	3,155	3,344	3,534
T309312B	3,155	3,344	3,534
T339312B	3,385	3,588	3,791
T369312B	3,610	3,827	4,043

### 96" High - Three Shelves

SKU	1	2	3
T129612	1,502	1,592	1,682
T159612	1,725	1,828	1,932
T189612	1,972	2,090	2,209
T219612	2,205	2,337	2,470
T249612	2,438	2,584	2,731
T249612B	2,438	2,584	2,731
T279612B	3,155	3,344	3,534
T309612B	3,155	3,344	3,534
T339612B	3,385	3,588	3,791
T369612B	3,610	3,827	4,043

# TALL CABINETS

## Tall Double Oven Cabinets



### 84" High Oven

SKU	1	2	3
OV2784B	2,558	2,711	2,865
OV3084B	2,700	2,862	3,024
OV3384B	2,832	3,002	3,172

### 90" High Oven

SKU	1	2	3
OV2790B	2,702	2,864	3,026
OV3090B	2,855	3,026	3,198
OV3390B	2,992	3,172	3,351

### 93" High Oven

SKU	1	2	3
OV2793B	2,852	3,023	3,194
OV3093B	3,050	3,233	3,416
OV3393B	3,198	3,390	3,582

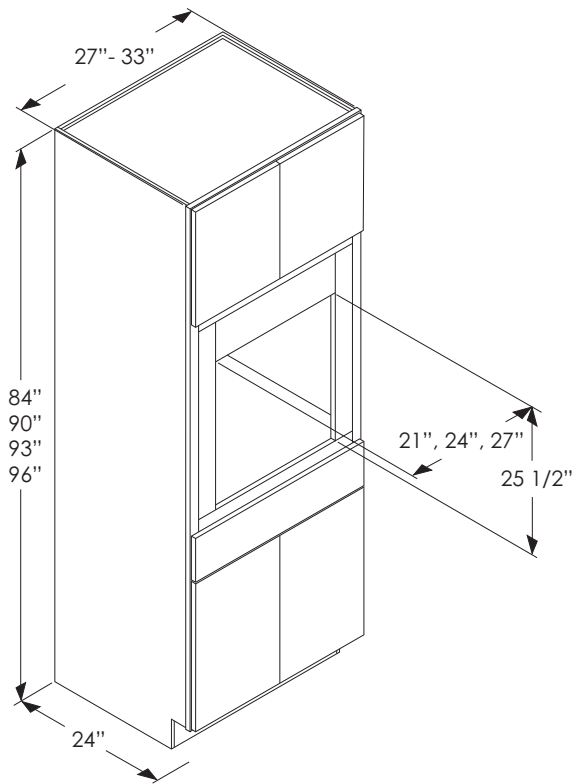
### 96" High Oven

SKU	1	2	3
OV2796B	2,852	3,023	3,194
OV3096B	3,050	3,233	3,416
OV3396B	3,198	3,390	3,582

- Opening width is 6" less than cabinet width.
- Rail above cutout is 6" high. Trimmable area is 4 3/4" high.
- Rail below oven cutout is 3" high. Reveal above drawer front is 1/2" high.

# TALL CABINETS

## Tall Single Oven Cabinets



### 84" High Single Oven

SKU	1	2	3
SOV2784B	2,612	2,769	2,925
SOV3084B	2,936	3,113	3,288
SOV3384B	3,128	3,316	3,503

### 90" High Single Oven

SKU	1	2	3
SOV2790B	3,062	3,246	3,429
SOV3090B	3,062	3,246	3,429
SOV3390B	3,281	3,478	3,674

### 93" High Single Oven

SKU	1	2	3
SOV2793B	3,233	3,428	3,621
SOV3093B	3,233	3,428	3,621
SOV3393B	3,461	3,669	3,876

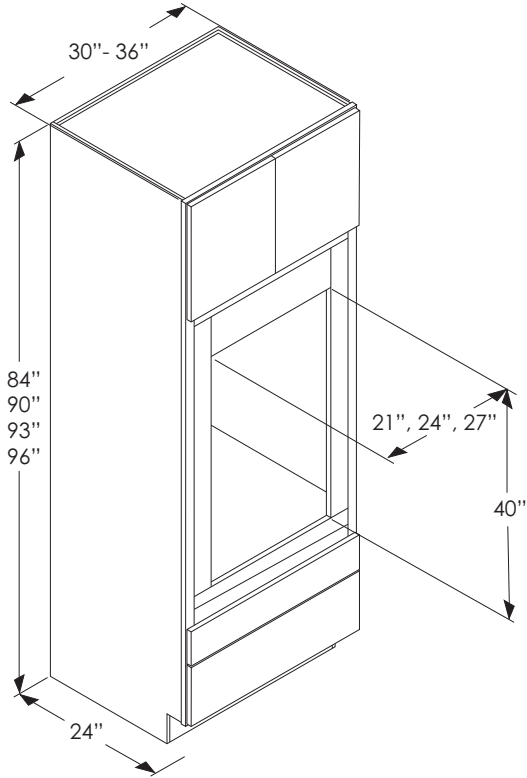
### 96" High Single Oven

SKU	1	2	3
SOV2796B	3,233	3,428	3,621
SOV3096B	3,233	3,428	3,621
SOV3396B	3,461	3,669	3,876

- Opening width is 6" less than cabinet width.
- Rail above cutout is 6" high. Trimmable area is 4 3/4" high.
- Rail below oven cutout is 3" high. Reveal above drawer front is 1/2" high.

# TALL CABINETS

## Tall Oven Cabinets with 2 Drawers



### 84" High Oven

SKU	1	2	3
OV2D3084B	3,705	3,927	4,148
OV2D3384B	3,899	4,133	4,366
OV2D3684B	4,094	4,340	4,584

### 90" High Oven

SKU	1	2	3
OV2D3090B	3,899	4,133	4,367
OV2D3390B	4,104	4,350	4,596
OV2D3690B	4,309	4,568	4,826

### 93" High Oven

SKU	1	2	3
OV2D3093B	4,104	4,351	4,597
OV2D3393B	4,320	4,579	4,838
OV2D3693B	4,536	4,808	5,080

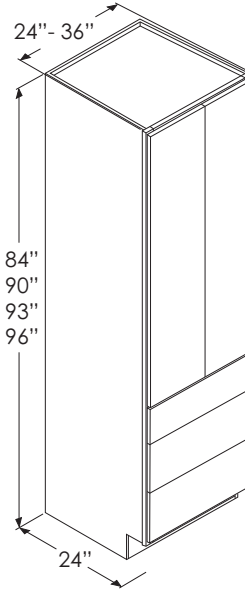
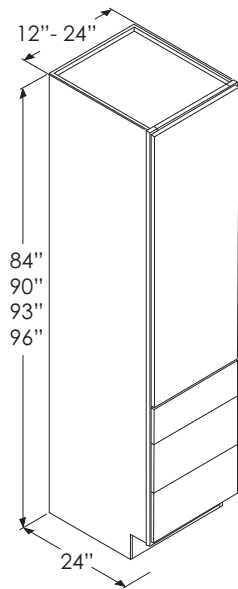
### 96" High Oven

SKU	1	2	3
OV2D3096B	4,104	4,351	4,597
OV2D3396B	4,320	4,579	4,838
OV2D3696B	4,536	4,808	5,080

- Opening width is 6" less than cabinet width.
- Rail above cutout is 6" high. Trimmable area is 4 3/4" high.
- Rail below oven cutout is 3" high. Reveal above drawer front is 1/2" high.

# TALL CABINETS

## Three Drawer Tall Cabinets



- Drawers align with Three Drawer Base Cabinet as standard.

### 84" High - Three Shelves

SKU	1	2	3
T3D128424	2,893	3,067	3,241
T3D158424	3,045	3,228	3,411
T3D188424	3,205	3,397	3,590
T3D218421	3,366	3,567	3,770
T3D248424	3,535	3,746	3,959
T3D248424B	3,535	3,746	3,959
T3D278424B	3,712	3,934	4,157
T3D308424B	3,812	4,034	4,257
T3D338424B	3,898	4,131	4,365
T3D368424B	4,093	4,338	4,584

### 90" High - Three Shelves

SKU	1	2	3
T3D129024	3,183	3,374	3,565
T3D159024	3,350	3,551	3,752
T3D189024	3,526	3,737	3,949
T3D219024	3,703	3,924	4,147
T3D249024	3,889	4,121	4,355
T3D249024B	3,889	4,121	4,355
T3D279024B	4,084	4,328	4,573
T3D309024B	4,184	4,428	4,673
T3D339024B	4,289	4,545	4,802
T3D369024B	4,504	4,773	5,043

### 93" High - Three Shelves

SKU	1	2	3
T3D129324	3,502	3,711	3,921
T3D159324	3,686	3,906	4,127
T3D189324	3,879	4,111	4,344
T3D219324	4,073	4,317	4,562
T3D249324	4,277	4,533	4,791
T3D249324B	4,277	4,533	4,791
T3D279324B	4,491	4,760	5,031
T3D309324B	4,591	4,860	5,131
T3D339324B	4,716	4,998	5,283
T3D369324B	4,952	5,248	5,548

### 96" High - Three Shelves

SKU	1	2	3
T3D129624	3,502	3,711	3,921
T3D159624	3,686	3,906	4,127
T3D189624	3,879	4,111	4,344
T3D219624	4,073	4,317	4,562
T3D249624	4,277	4,533	4,791
T3D249624B	4,277	4,533	4,791
T3D279624B	4,491	4,760	5,031
T3D309624B	4,591	4,860	5,131
T3D339624B	4,716	4,998	5,283
T3D369624B	4,952	5,248	5,548

# TALL CABINETS

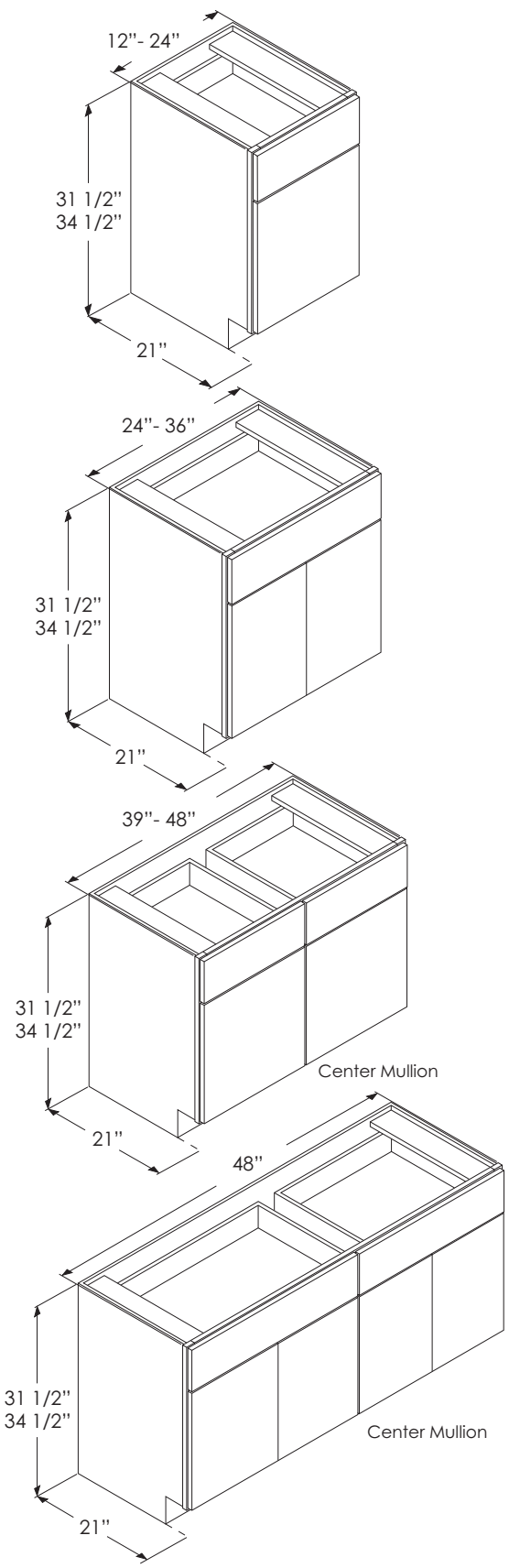
# VANITY CABINETS

## Vanity Index

Item	Page
Floating Vanity Cabinet Full Height Door Sink Base _____	98
Floating Vanity Two Drawer Base _____	98
Floating Vanity Three Drawer Base _____	98
Tall Linen Cabinet _____	99
Tall Three Drawer Linen Cabinet _____	100
Vanity Base Cabinet _____	88
Vanity Three Drawer Cabinet _____	90
Vanity Double Sink 3 Drawer Cabinet _____	97
Vanity Full Height Door Cabinet _____	89
Vanity Full Height Door Sink Cabinet _____	92
Vanity Sink Cabinet _____	91
Vanity Sink Combination Cabinet _____	94
Vanity Sink Front _____	93
Vanity Sink 2 Drawer Cabinet _____	95
Vanity Sink 6 Drawer Cabinet _____	96
Vanity Wall Open Shelf _____	101

# VANITY CABINETS

## Vanity Base Cabinets



### 31 1/2" High

SKU	1	2	3
VB12	810	859	907
VB15	868	920	972
VB18	902	956	1,010
VB21	992	1,052	1,111
VB24	1,008	1,068	1,129
VB24B	1,008	1,068	1,129
VB27B	1,140	1,208	1,277
VB30B	1,220	1,293	1,366
VB33B	1,315	1,394	1,473
VB36B	1,370	1,452	1,534
VB39	1,439	1,525	1,611
VB42	1,511	1,602	1,692
VB45	1,587	1,683	1,777
VB48	1,667	1,768	1,866
VB48B (4 DOORS)	1,667	1,768	1,866

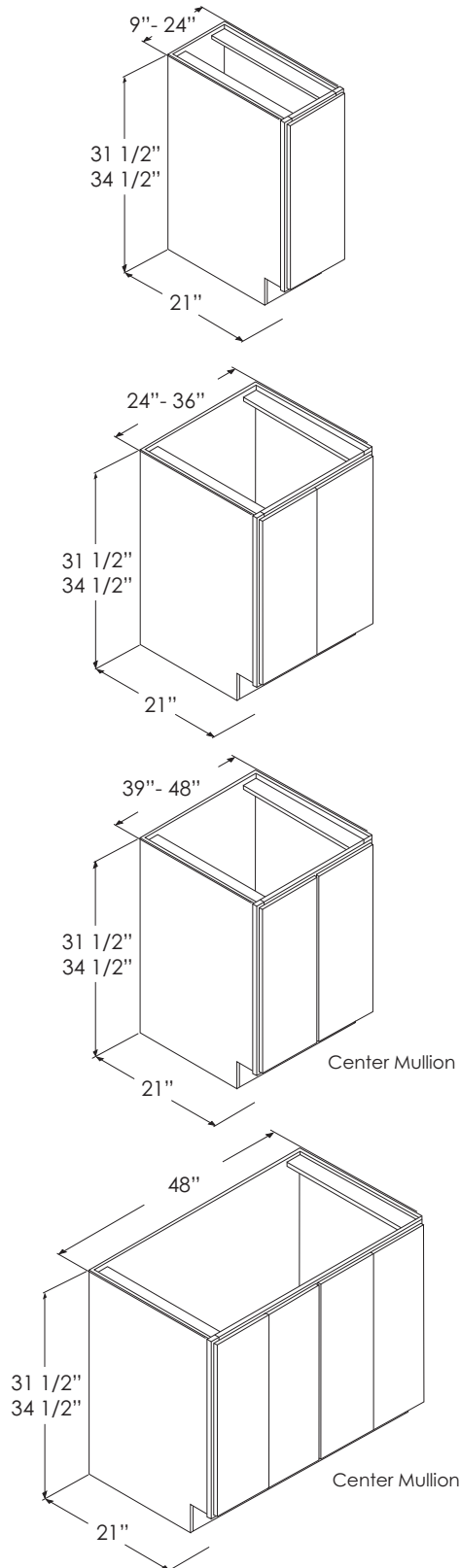
### 34 1/2" High

SKU	1	2	3
VB12BH	810	859	907
VB15BH	868	920	972
VB18BH	902	956	1,010
VB21BH	992	1,052	1,111
VB24BH	1,008	1,068	1,129
VB24BBH	1,008	1,068	1,129
VB27BBH	1,140	1,208	1,277
VB30BBH	1,220	1,293	1,366
VB33BBH	1,315	1,394	1,473
VB36BBH	1,370	1,452	1,534
VB39BH	1,439	1,525	1,611
VB42BH	1,511	1,602	1,692
VB45BH	1,587	1,683	1,777
VB48BH	1,667	1,768	1,866
VB48BBH (4 DOORS)	1,667	1,768	1,866



# VANITY CABINETS

## Vanity Full Height Door Cabinets



### 31 1/2" High

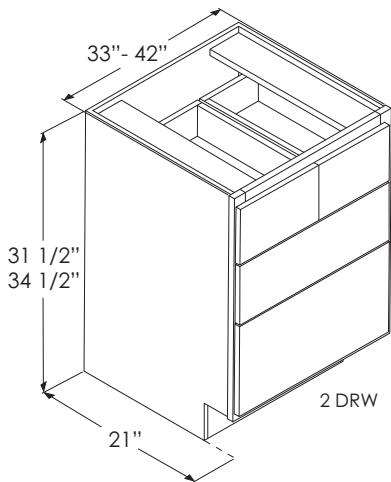
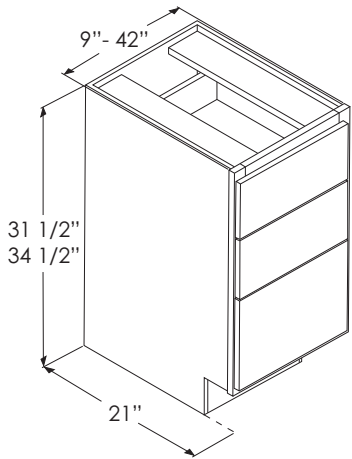
SKU	1	2	3
VFH9	810	859	907
VFH12	810	859	907
VFH15	868	920	972
VFH18	902	956	1,010
VFH21	992	1,052	1,111
VFH24	1,008	1,068	1,129
VFH24B	1,008	1,068	1,129
VFH27B	1,140	1,208	1,277
VFH30B	1,220	1,293	1,366
VFH33B	1,315	1,394	1,473
VFH36B	1,370	1,452	1,534
VFH39	1,420	1,502	1,584
VFH42	1,470	1,552	1,634
VFH45	1,496	1,583	1,670
VFH48	1,522	1,613	1,705
VFH48B (4 DOORS)	1,522	1,613	1,705

### 34 1/2" High

SKU	1	2	3
VFH9BH	810	859	907
VFH12BH	810	859	907
VFH15BH	868	920	972
VFH18BH	902	956	1,010
VFH21BH	992	1,052	1,111
VFH24BH	1,008	1,068	1,129
VFH24BBH	1,008	1,068	1,129
VFH27BBH	1,140	1,208	1,277
VFH30BBH	1,220	1,293	1,366
VFH33BBH	1,315	1,394	1,473
VFH36BBH	1,370	1,452	1,534
VFH39BH	1,420	1,502	1,584
VFH42BH	1,470	1,552	1,634
VFH45BH	1,496	1,583	1,670
VFH48BH	1,522	1,613	1,705
VFH48BBH (4 DOORS)	1,522	1,613	1,705

# VANITY CABINETS

## Vanity Drawer Cabinets



### 3 Drawer - 31 1/2" High

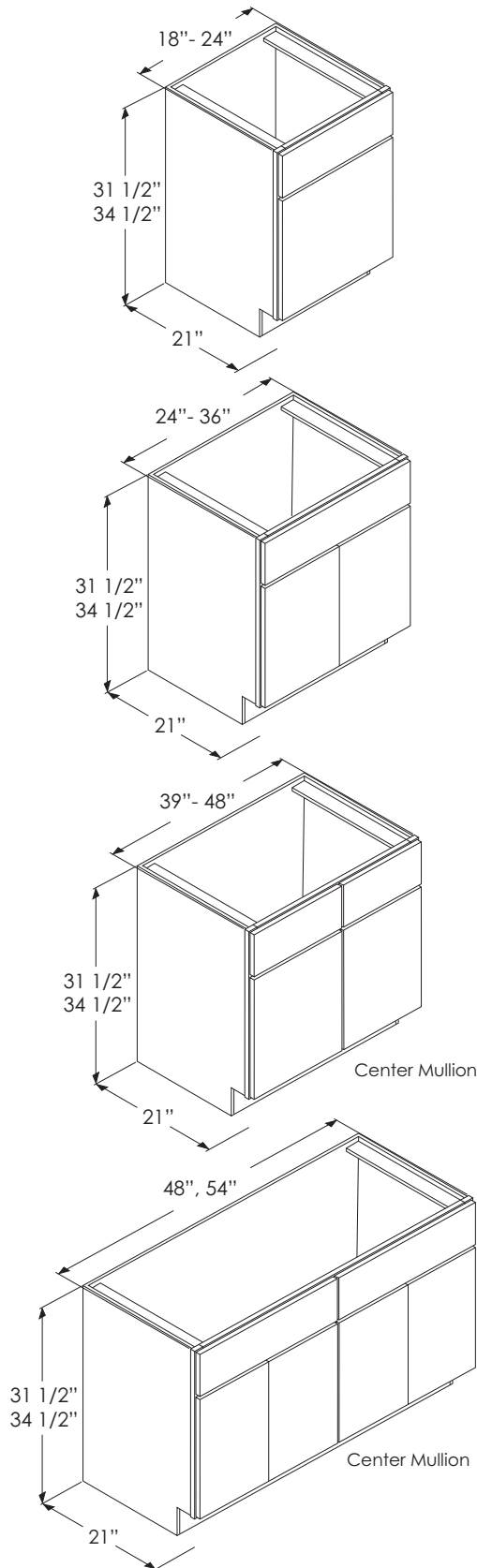
SKU	1	2	3
V3D9	1,068	1,132	1,196
V3D12	1,068	1,132	1,196
V3D15	1,155	1,224	1,294
V3D18	1,232	1,306	1,380
V3D21	1,322	1,401	1,481
V3D24	1,415	1,500	1,585
V3D27	1,515	1,605	1,696
V3D30	1,622	1,718	1,815
V3D33	1,736	1,839	1,943
V3D36	1,858	1,968	2,080
V3D39	1,989	2,106	2,226
V3D42	2,129	2,254	2,382
V3D33_2DRW	1,997	2,115	2,235
V3D36_2DRW	2,137	2,264	2,392
V3D39_2DRW	2,287	2,423	2,560
V3D42_2DRW	2,448	2,593	2,740

### 3 Drawer - 34 1/2" High

SKU	1	2	3
V3D9BH	1,068	1,132	1,196
V3D12BH	1,068	1,132	1,196
V3D15BH	1,155	1,224	1,294
V3D18BH	1,232	1,306	1,380
V3D21BH	1,322	1,401	1,481
V3D24BH	1,415	1,500	1,585
V3D27BH	1,515	1,605	1,696
V3D30BH	1,622	1,718	1,815
V3D33BH	1,736	1,839	1,943
V3D36BH	1,858	1,968	2,080
V3D39BH	2,287	2,423	2,560
V3D42BH	2,448	2,593	2,740
V3D33_2DRWBH	1,997	2,115	2,235
V3D36_2DRWBH	2,137	2,264	2,392
V3D39_2DRWBH	2,244	2,378	2,512
V3D42_2DRWBH	2,357	2,497	2,638

# VANITY CABINETS

## Vanity Sink Cabinets



### 31 1/2" High

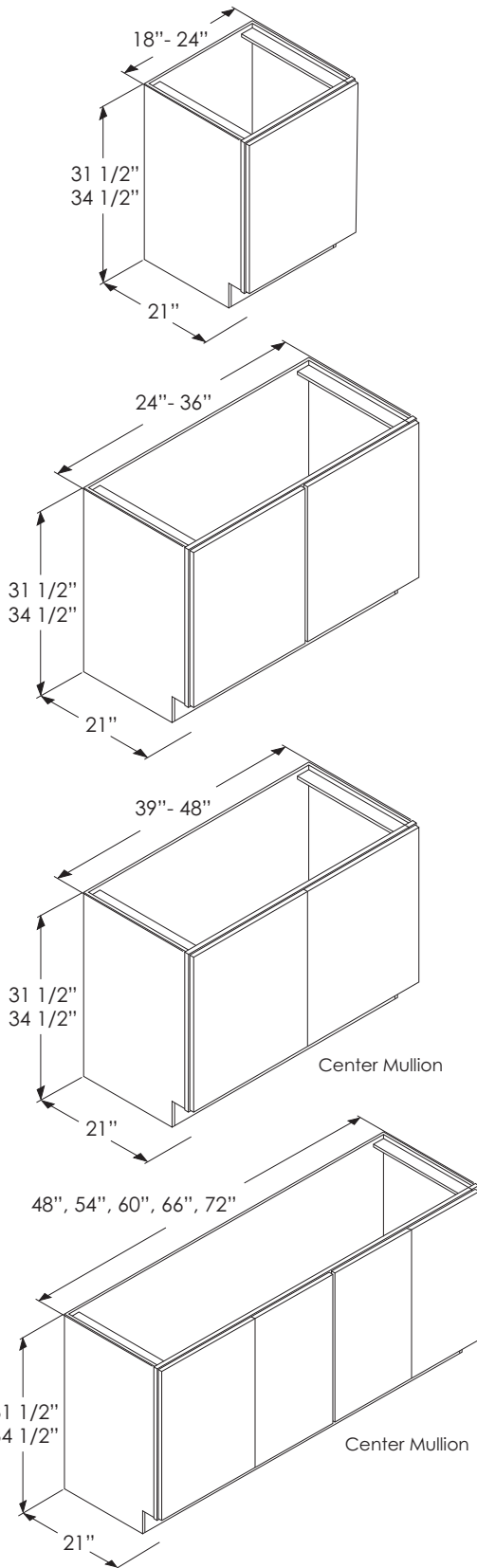
SKU	1	2	3
VSB18	818	867	916
VSB21	862	914	965
VSB24	878	931	983
VSB24B	878	931	983
VSB27B	958	1,015	1,073
VSB30B	1,008	1,068	1,129
VSB33B	1,055	1,118	1,182
VSB36B	1,125	1,192	1,260
VSB48B	1,388	1,471	1,555
VSB54B	1,715	1,818	1,921
VSB39	1,172	1,242	1,313
VSB42	1,232	1,306	1,380
VSB45	1,388	1,471	1,555
VSB48	1,458	1,545	1,633
VSB48B (4 DOORS)	1,458	1,545	1,633
VSB54B (4 DOORS)	1,604	1,700	1,797

### 34 1/2" High

SKU	1	2	3
VSB18BH	818	867	916
VSB21BH	862	914	965
VSB24BH	878	931	983
VSB24BBH	878	931	983
VSB27BBH	958	1,015	1,073
VSB30BBH	1,008	1,068	1,129
VSB33BBH	1,055	1,118	1,182
VSB36BBH	1,125	1,192	1,260
VSB48BBH	1,388	1,471	1,555
VSB54BBH	1,715	1,818	1,921
VSB39BH	1,172	1,242	1,313
VSB42BH	1,232	1,306	1,380
VSB45BH	1,388	1,471	1,555
VSB48BH	1,458	1,545	1,633
VSB48BBH (4 DOORS)	1,458	1,545	1,633
VSB54BBH (4 DOORS)	1,604	1,700	1,797

# VANITY CABINETS

## Vanity Full Height Door Sink Cabinets



### 31 1/2" High

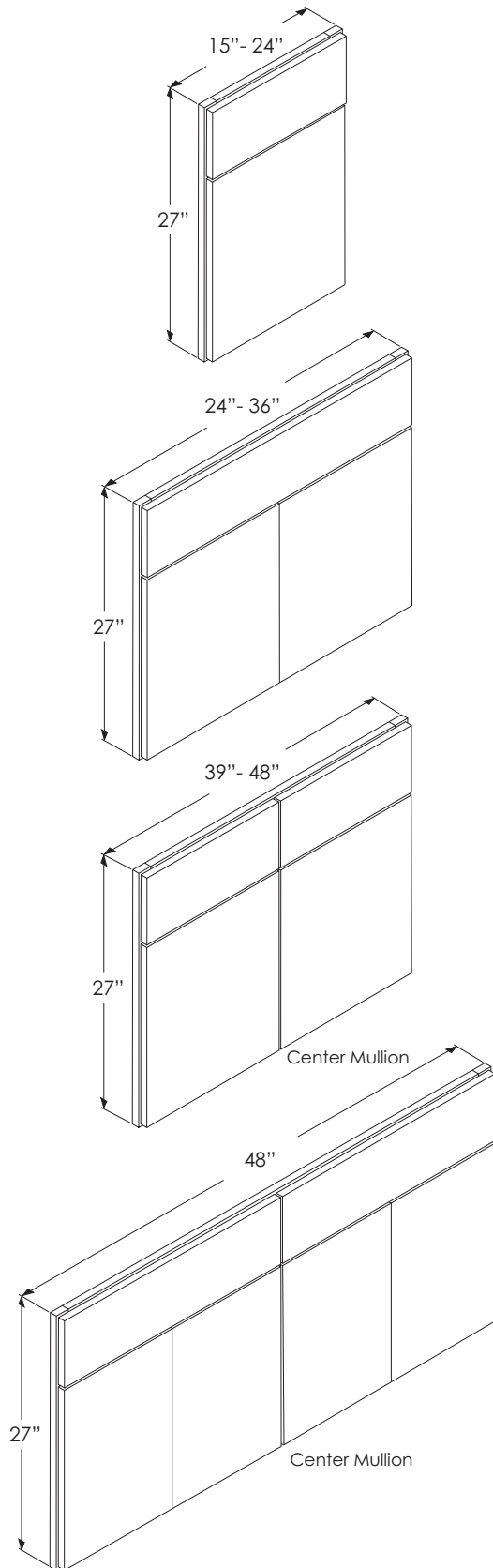
SKU	1	2	3
VSBFH18	818	867	916
VSBFH21	848	899	950
VSBFH24	878	931	983
VSBFH24B	878	931	983
VSBFH27B	958	1,015	1,073
VSBFH30B	1,055	1,118	1,182
VSBFH33B	1,090	1,155	1,221
VSBFH36B	1,125	1,192	1,260
VSBFH39	1,182	1,253	1,324
VSBFH42	1,232	1,306	1,380
VSBFH45	1,312	1,391	1,469
VSBFH48	1,388	1,471	1,555
VSBFH48B (4 DOORS)	1,388	1,471	1,555
VSBFH54B (4 DOORS)	1,555	1,648	1,742
VSBFH60B (4 DOORS)	1,745	1,850	1,954
VSBFH66B (4 DOORS)	1,955	2,072	2,190
VSBFH72B (4 DOORS)	2,192	2,324	2,455

### 34 1/2" High

SKU	1	2	3
VSBFH18BH	818	867	916
VSBFH21BH	848	899	950
VSBFH24BH	878	931	983
VSBFH24BBH	878	931	983
VSBFH27BBH	958	1,015	1,073
VSBFH30BBH	1,055	1,118	1,182
VSBFH33BBH	1,090	1,155	1,221
VSBFH36BBH	1,125	1,192	1,260
VSBFH39BH	1,182	1,253	1,324
VSBFH42BH	1,232	1,306	1,380
VSBFH45BH	1,312	1,391	1,469
VSBFH48BH	1,388	1,471	1,555
VSBFH48BBH (4 DOORS)	1,388	1,471	1,555
VSBFH54BBH (4 DOORS)	1,555	1,648	1,742
VSBFH60BBH (4 DOORS)	1,745	1,850	1,954
VSBFH66BBH (4 DOORS)	1,955	2,072	2,190
VSBFH72BBH (4 DOORS)	2,192	2,324	2,455

# VANITY CABINETS

## Vanity Sink Fronts



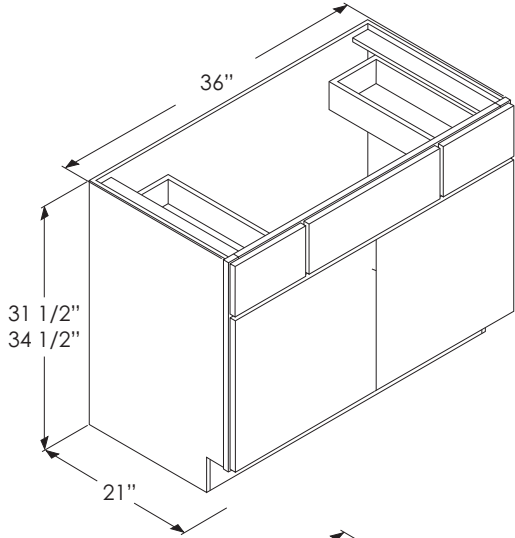
### 27" High

SKU	1	2	3
VSF15	818	867	916
VSF18	859	911	962
VSF21	902	957	1,011
VSF24	948	1,005	1,062
VSF24B	948	1,005	1,062
VSF27B	996	1,056	1,116
VSF30B	1,046	1,109	1,172
VSF33B	1,099	1,165	1,231
VSF36B	1,154	1,224	1,293
VSF39	1,212	1,286	1,358
VSF42	1,273	1,351	1,426
VSF45	1,337	1,419	1,498
VSF48	1,404	1,490	1,573
VSF48B (4 DOORS)	1,404	1,490	1,573

- For Base Height Vanity Sink Front see Base Sink Fronts in Base Cabinet section.
- Sink Floor and Toe Kick are NOT included.

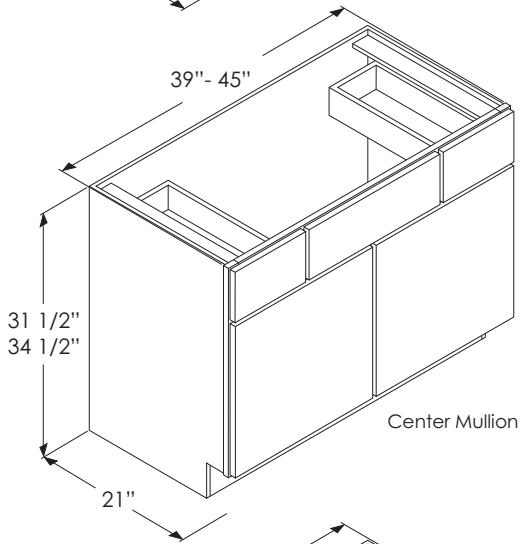
# VANITY CABINETS

## Vanity Sink Combination Cabinets



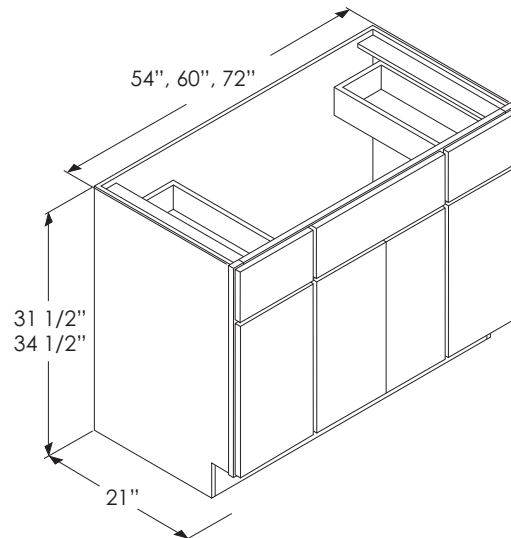
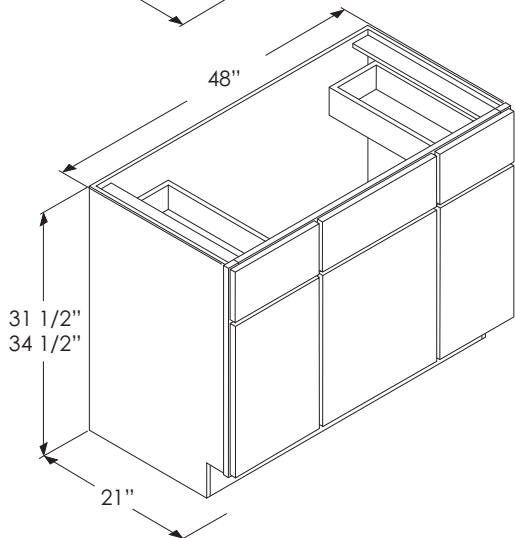
### 31 1/2" High

SKU	1	2	3
VSC36B	1,322	1,401	1,481
VSC39	1,360	1,442	1,523
VSC42	1,455	1,542	1,630
VSC45	1,545	1,638	1,730
VSC48B	1,545	1,638	1,730
VSC54B	1,775	1,882	1,988
VSC60B	2,585	2,740	2,895
VSC72B	2,998	3,178	3,358



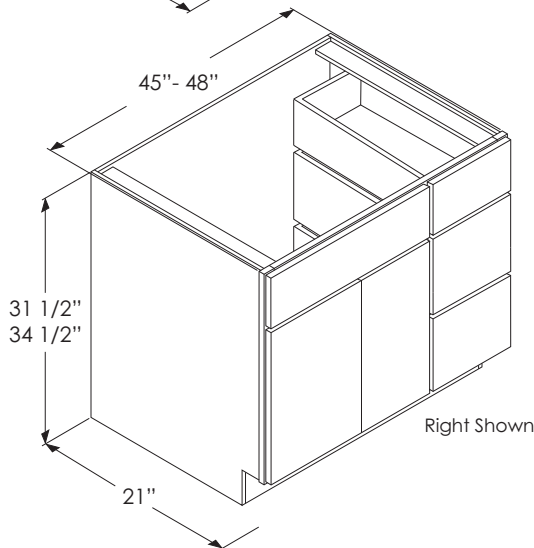
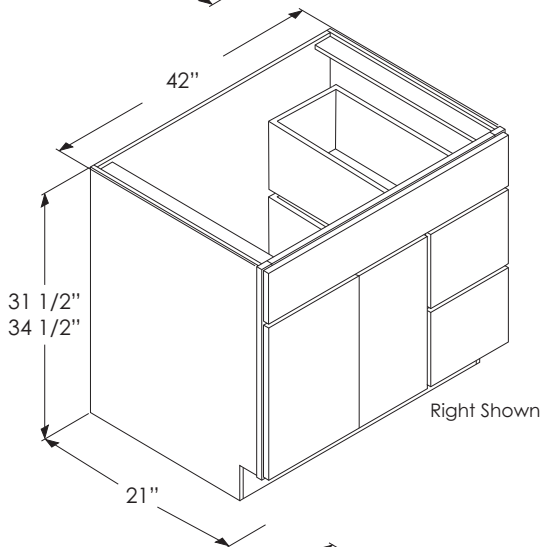
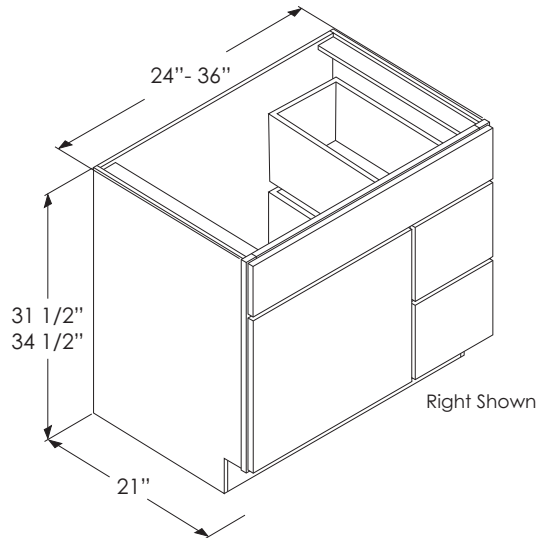
### 34 1/2" High

SKU	1	2	3
VSC36BBH	1,322	1,401	1,481
VSC39BH	1,360	1,442	1,523
VSC42BH	1,455	1,542	1,630
VSC45BH	1,545	1,638	1,730
VSC48BBH	1,545	1,638	1,730
VSC54BBH	1,775	1,882	1,988
VSC60BBH	2,585	2,740	2,895
VSC72BBH	2,998	3,178	3,358



# VANITY CABINETS

## Vanity Sink 2 Drawer Cabinets



### 31 1/2" High

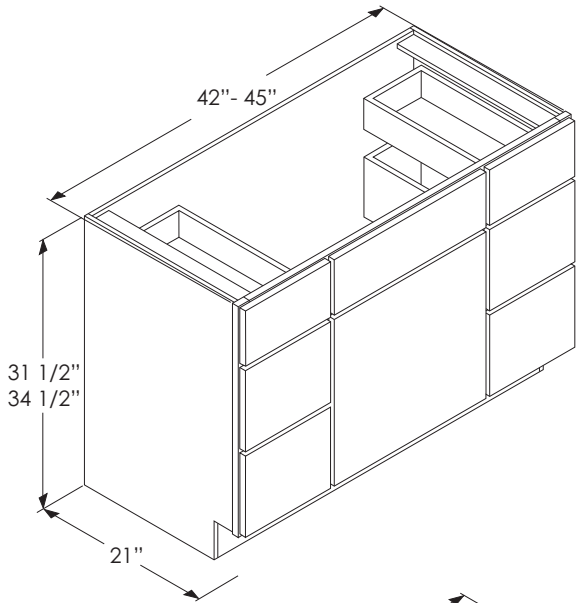
SKU	1	2	3
VS2D24L	1,088	1,153	1,219
VS2D24R	1,088	1,153	1,219
VS2D27L	1,298	1,376	1,454
VS2D27R	1,298	1,376	1,454
VS2D30L	1,372	1,454	1,537
VS2D30R	1,372	1,454	1,537
VS2D33L	1,450	1,537	1,624
VS2D33R	1,450	1,537	1,624
VS2D36L	1,532	1,624	1,716
VS2D36R	1,532	1,624	1,716
VS2D42BL	1,685	1,786	1,887
VS2D42BR	1,685	1,786	1,887
VS2D45BL	1,772	1,878	1,985
VS2D45BR	1,772	1,878	1,985
VS2D48BL	1,858	1,969	2,081
VS2D48BR	1,858	1,969	2,081

### 34 1/2" High

SKU	1	2	3
VS2D24LBH	1,088	1,153	1,219
VS2D24RBH	1,088	1,153	1,219
VS2D27LBH	1,298	1,376	1,454
VS2D27RBH	1,298	1,376	1,454
VS2D30LBH	1,372	1,454	1,537
VS2D30RBH	1,372	1,454	1,537
VS2D33LBH	1,450	1,537	1,624
VS2D33RBH	1,450	1,537	1,624
VS2D36LBH	1,532	1,624	1,716
VS2D36RBH	1,532	1,624	1,716
VS2D42BLBH	1,685	1,786	1,887
VS2D42BRBH	1,685	1,786	1,887
VS2D45BLBH	1,772	1,878	1,985
VS2D45BRBH	1,772	1,878	1,985
VS2D48BLBH	1,858	1,969	2,081
VS2D48BRBH	1,858	1,969	2,081

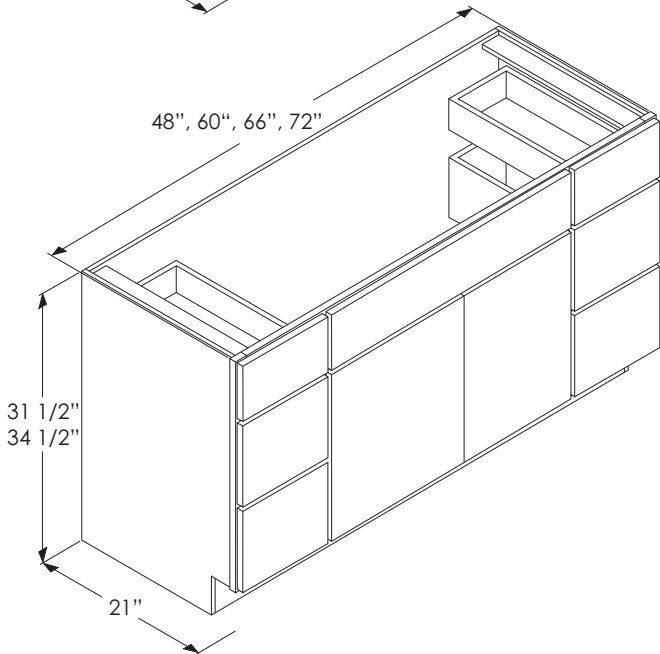
# VANITY CABINETS

## Vanity Sink 6 Drawer Cabinets



### 31 1/2" High

SKU	1	2	3
VS6D42	2,398	2,542	2,686
VS6D45	2,475	2,624	2,772
VS6D48B	2,548	2,701	2,854
VS6D60B	2,708	2,870	3,033
VS6D66B	2,900	3,074	3,248
VS6D72B	3,085	3,270	3,455



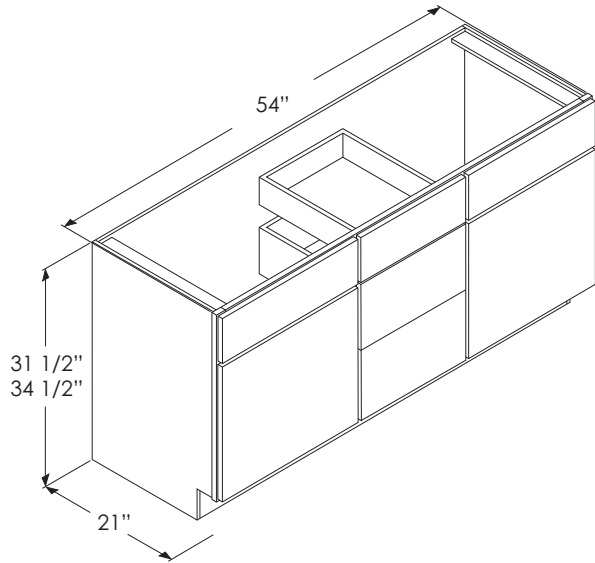
### 34 1/2" High

SKU	1	2	3
VS6D42BH	2,398	2,542	2,686
VS6D45BH	2,475	2,624	2,772
VS6D48BBH	2,548	2,701	2,854
VS6D60BBH	2,708	2,870	3,033
VS6D66BBH	2,900	3,074	3,248
VS6D72BBH	3,085	3,270	3,455



# VANITY CABINETS

## Vanity Double Sink 3 Drawer Cabinets

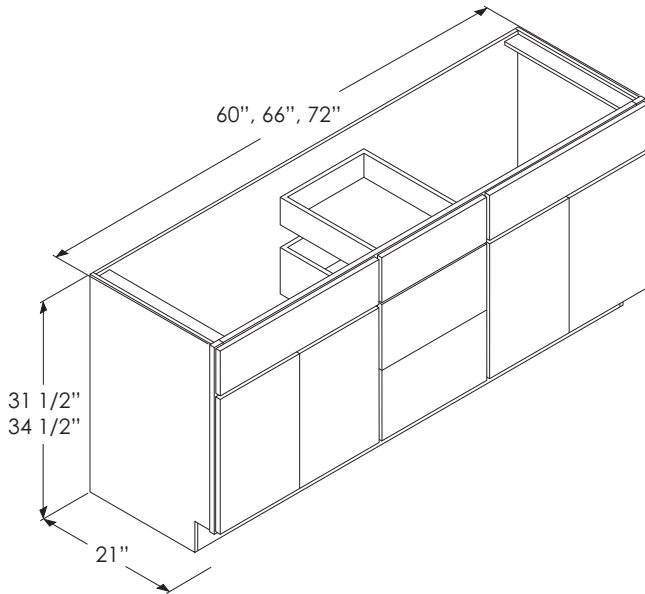


### 31 1/2" High

SKU	1	2	3
VCD54	2,440	2,586	2,733
VCD60B	2,585	2,740	2,895
VCD66B	2,958	3,135	3,313
VCD72B	2,998	3,178	3,358

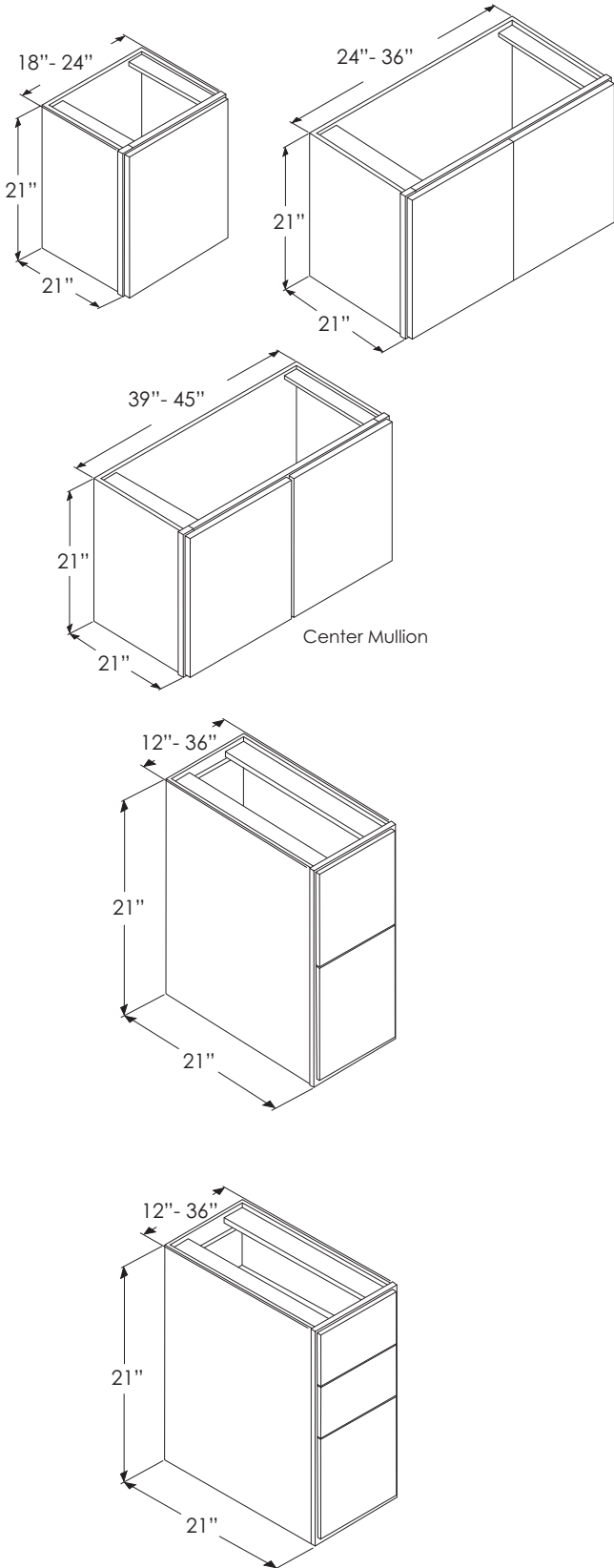
### 34 1/2" High

SKU	1	2	3
VCD54BH	2,440	2,586	2,733
VCD60BBH	2,585	2,740	2,895
VCD66BBH	2,958	3,135	3,313
VCD72BBH	2,998	3,178	3,358



# VANITY CABINETS

## Floating Vanity Cabinets



### Floating Vanity Full Height Door Sink Base

SKU	1	2	3
FLVSBFH182121	818	867	916
FLVSBFH212121	848	899	950
FLVSBFH242121	878	931	983
FLVSBFH242121B	878	931	983
FLVSBFH272121B	958	1,015	1,073
FLVSBFH302121B	1,055	1,118	1,182
FLVSBFH332121B	1,090	1,155	1,221
FLVSBFH362121B	1,125	1,192	1,260
FLVSBFH392121	1,182	1,253	1,324
FLVSBFH422121	1,232	1,306	1,380
FLVSBFH452121	1,312	1,391	1,469

### Floating Vanity Two Drawer Base

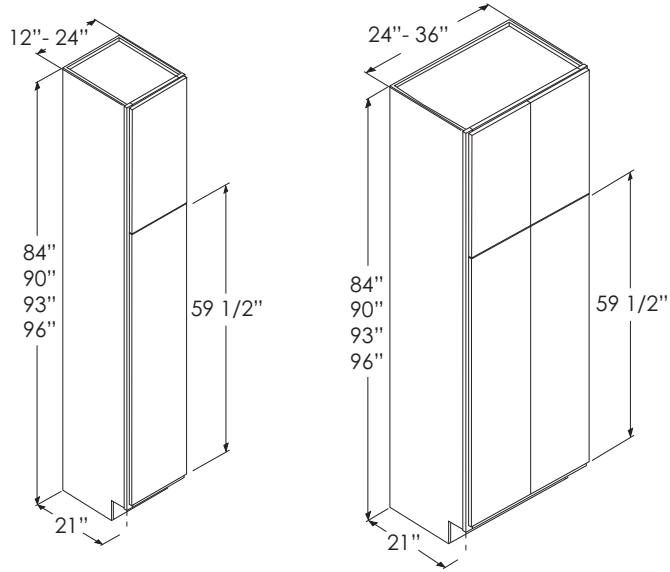
SKU	1	2	3
FLV2D122121	1,068	1,132	1,196
FLV2D152121	1,155	1,224	1,294
FLV2D182121	1,232	1,306	1,380
FLV2D212121	1,322	1,401	1,481
FLV2D242121	1,415	1,500	1,585
FLV2D272121	1,515	1,605	1,696
FLV2D302121	1,622	1,718	1,815
FLV2D332121	1,736	1,839	1,943
FLV2D362121	1,858	1,968	2,080

### Floating Vanity Three Drawer Base

SKU	1	2	3
FLV3D122121	1,068	1,132	1,196
FLV3D152121	1,155	1,224	1,294
FLV3D182121	1,232	1,306	1,380
FLV3D212121	1,322	1,401	1,481
FLV3D242121	1,415	1,500	1,585
FLV3D272121	1,515	1,605	1,696
FLV3D302121	1,622	1,718	1,815
FLV3D332121	1,736	1,839	1,943
FLV3D362121	1,858	1,968	2,080

# VANITY CABINETS

## Tall Linen Cabinets



### 84" High - Three Shelves

SKU	1	2	3
T128421	1,662	1,762	1,861
T158421	1,868	1,980	2,092
T188421	2,090	2,215	2,341
T218421	2,328	2,468	2,607
T248421	2,548	2,701	2,854
T248421B	2,548	2,701	2,854
T278421B	2,902	3,076	3,250
T308421B	3,262	3,458	3,653
T338421B	3,475	3,684	3,892
T368421B	3,680	3,901	4,122

### 90" High - Three Shelves

SKU	1	2	3
T129021	1,720	1,823	1,926
T159021	1,992	2,112	2,231
T189021	2,232	2,366	2,500
T219021	2,475	2,624	2,772
T249021	2,708	2,870	3,033
T249021B	2,708	2,870	3,033
T279021B	3,402	3,606	3,810
T309021B	3,402	3,606	3,810
T339021B	3,645	3,864	4,082
T369021B	3,888	4,121	4,355

### 93" High - Three Shelves

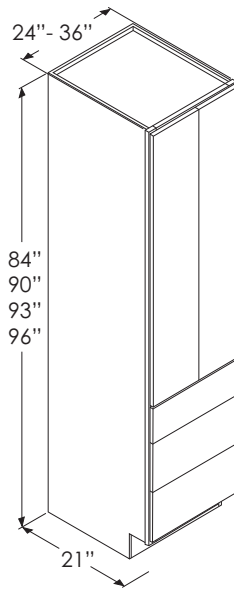
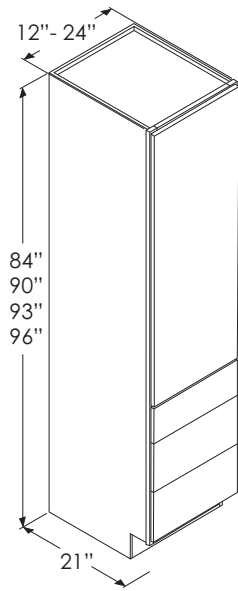
SKU	1	2	3
T129321	1,855	1,966	2,078
T159321	2,098	2,224	2,350
T189321	2,355	2,496	2,638
T219321	2,602	2,758	2,914
T249321	2,855	3,026	3,198
T249321B	2,855	3,026	3,198
T279321B	3,592	3,808	4,023
T309321B	3,592	3,808	4,023
T339321B	3,845	4,076	4,306
T369321B	4,102	4,348	4,594

### 96" High - Three Shelves

SKU	1	2	3
T129621	1,855	1,966	2,078
T159621	2,098	2,224	2,350
T189621	2,355	2,496	2,638
T219621	2,602	2,758	2,914
T249621	2,855	3,026	3,198
T249621B	2,855	3,026	3,198
T279621B	3,592	2,808	4,023
T309621B	3,592	2,808	4,023
T339621B	3,845	4,076	4,306
T369621B	4,102	4,348	4,594

# VANITY CABINETS

## Three Drawer Tall Linen Cabinets



- Drawers align with Three Drawer Base Cabinet as standard. To align drawers with a Vanity height drawer cabinet, see Vanity Height Modification.

### 84" High - Three Shelves

SKU	1	2	3
T3D128421	2,893	3,067	3,241
T3D158421	3,045	3,228	3,411
T3D188421	3,205	3,397	3,590
T3D218421	3,366	3,567	3,770
T3D248421	3,535	3,746	3,959
T3D248421B	3,535	3,746	3,959
T3D278421B	3,712	3,934	4,157
T3D308421B	3,805	4,033	4,261
T3D338421B	3,898	4,131	4,365
T3D368421B	4,093	4,338	4,584

### 90" High - Three Shelves

SKU	1	2	3
T3D129021	3,183	3,374	3,565
T3D159021	3,350	3,551	3,752
T3D189021	3,526	3,737	3,949
T3D219021	3,703	3,924	4,147
T3D249021	3,889	4,121	4,355
T3D249021B	3,889	4,121	4,355
T3D279021B	4,084	4,328	4,573
T3D309021B	4,187	4,437	4,688
T3D339021B	4,289	4,545	4,802
T3D369021B	4,504	4,773	5,043

### 93" High - Three Shelves

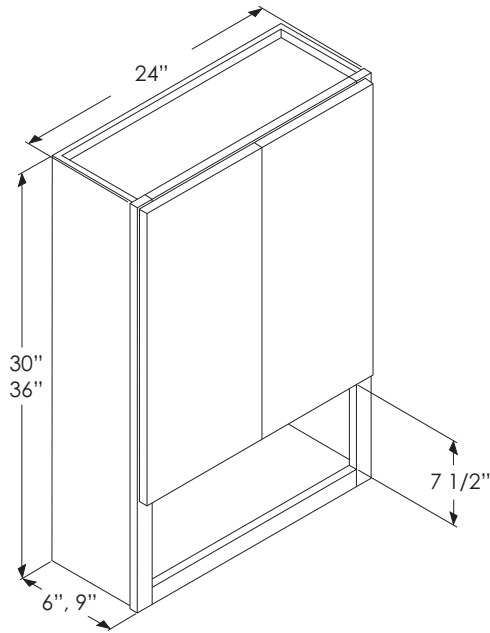
SKU	1	2	3
T3D129321	3,502	3,711	3,921
T3D159321	3,686	3,906	4,127
T3D189321	3,879	4,111	4,344
T3D219321	4,073	4,317	4,562
T3D249321	4,277	4,533	4,791
T3D249321B	4,277	4,533	4,791
T3D279321B	4,491	4,760	5,031
T3D309321B	4,604	4,879	5,157
T3D339321B	4,716	4,998	5,283
T3D369321B	4,952	5,248	5,548

### 96" High - Three Shelves

SKU	1	2	3
T3D129621	3,502	3,711	3,921
T3D159621	3,686	3,906	4,127
T3D189621	3,879	4,111	4,344
T3D219621	4,073	4,317	4,562
T3D246421	4,277	4,533	4,791
T3D246421B	4,277	4,533	4,791
T3D279621B	4,491	4,760	5,031
T3D309621B	4,604	4,879	5,157
T3D339621B	4,716	4,998	5,283
T3D369621B	4,952	5,248	5,548

# VANITY CABINETS

## Vanity Wall Open Shelf



### 6" Depth

SKU	1	2	3
VW24306BMI	785	832	879
VW24366BMI	865	917	969

### 9" Depth

SKU	1	2	3
VW24309BMI	870	922	974
VW24369BMI	958	1,015	1,073

- Matching Finished Interior is standard.

# VANITY CABINETS

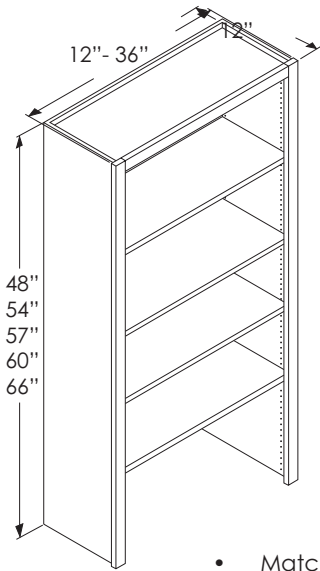
# FURNITURE

## Furniture Index

Item	Page
Bench Cabinet _____	108
Countertop Bookcase Wall _____	104
Countertop Bookcase with Doors Wall _____	105 - 106
Desk Base _____	109
Desk Drawer _____	111
Desk 2 Drawer File _____	110
Desk 3 Drawer File _____	110
Movable Island _____	112
Bookcase Cabinet Tall _____	107

# FURNITURE

## Countertop Bookcase



• Matching Finished Interior is standard.

### 48" High - Four Shelves

SKU	1	2	3
HUT1248MI	943	943	943
HUT1548MI	991	991	991
HUT1848MI	1,041	1,041	1,041
HUT2148MI	1,094	1,094	1,094
HUT2448MI	1,149	1,149	1,149
HUT2748MI	1,207	1,207	1,207
HUT3048MI	1,268	1,268	1,268
HUT3348MI	1,332	1,332	1,332
HUT3648MI	1,399	1,399	1,399

### 54" High - Four Shelves

SKU	1	2	3
HUT1254MI	1,038	1,038	1,038
HUT1554MI	1,090	1,090	1,090
HUT1854MI	1,145	1,145	1,145
HUT2154MI	1,203	1,203	1,203
HUT2454MI	1,264	1,264	1,264
HUT2754MI	1,328	1,328	1,328
HUT3054MI	1,395	1,395	1,395
HUT3354MI	1,465	1,465	1,465
HUT3654MI	1,539	1,539	1,539

### 57" High - Four Shelves

SKU	1	2	3
HUT1257MI	1,090	1,090	1,090
HUT1557MI	1,145	1,145	1,145
HUT1857MI	1,203	1,203	1,203
HUT2157MI	1,264	1,264	1,264
HUT2457MI	1,328	1,328	1,328
HUT2757MI	1,395	1,395	1,395
HUT3057MI	1,465	1,465	1,465
HUT3357MI	1,539	1,539	1,539
HUT3657MI	1,616	1,616	1,616

### 60" High - Four Shelves

SKU	1	2	3
HUT1260MI	1,145	1,145	1,145
HUT1560MI	1,203	1,203	1,203
HUT1860MI	1,264	1,264	1,264
HUT2160MI	1,328	1,328	1,328
HUT2460MI	1,395	1,395	1,395
HUT2760MI	1,465	1,465	1,465
HUT3060MI	1,539	1,539	1,539
HUT3360MI	1,616	1,616	1,616
HUT3660MI	1,697	1,697	1,697

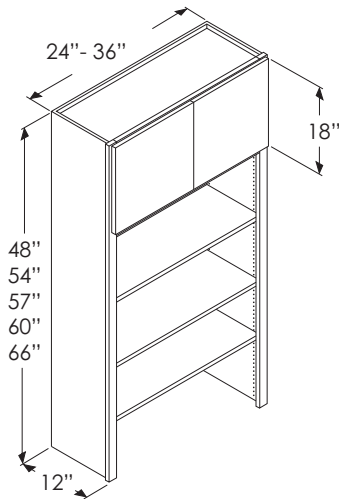
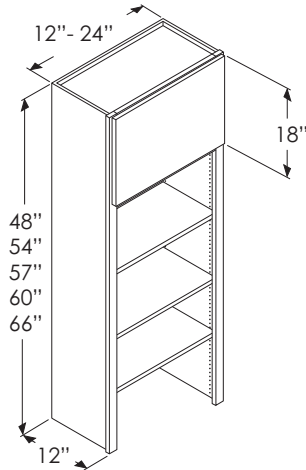
### 66" High - Four Shelves

SKU	1	2	3
HUT1266MI	1,260	1,260	1,260
HUT1566MI	1,323	1,323	1,323
HUT1866MI	1,390	1,390	1,390
HUT2166MI	1,460	1,460	1,460
HUT2466MI	1,533	1,533	1,533
HUT2766MI	1,610	1,610	1,610
HUT3066MI	1,691	1,691	1,691
HUT3366MI	1,776	1,776	1,776
HUT3666MI	1,865	1,865	1,865



# FURNITURE

## Countertop Bookcase with Doors



- Matching Finished Interior is standard.
- 18" dimension indicates height of top cabinet section. To change the height see Stacked Cabinet Modification.

**DESIGNER TIP:**

- To use as locker cabinets use modifications OS to omit shelves and ODH to omit drill holes.

### 48" High - Two Shelves

SKU	1	2	3
HUTD1248MI	1,179	1,179	1,179
HUTD1548MI	1,238	1,238	1,238
HUTD1848MI	1,300	1,300	1,300
HUTD2148MI	1,365	1,365	1,365
HUTD2448MI	1,434	1,434	1,434
HUTD2448BMI	1,434	1,434	1,434
HUTD2748BMI	1,506	1,506	1,506
HUTD3048BMI	1,582	1,582	1,582
HUTD3348BMI	1,662	1,662	1,662
HUTD3648BMI	1,746	1,746	1,746

### 54" High - Two Shelves

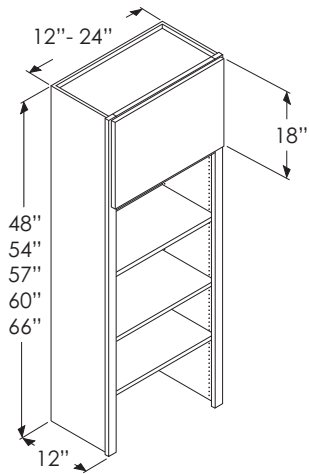
SKU	1	2	3
HUTD1254MI	1,298	1,298	1,298
HUTD1554MI	1,363	1,363	1,363
HUTD1854MI	1,432	1,432	1,432
HUTD2154MI	1,504	1,504	1,504
HUTD2454MI	1,580	1,580	1,580
HUTD2454BMI	1,580	1,580	1,580
HUTD2754BMI	1,659	1,659	1,659
HUTD3054BMI	1,742	1,742	1,742
HUTD3354BMI	1,830	1,830	1,830
HUTD3654BMI	1,922	1,922	1,922

### 57" High - Three Shelves

SKU	1	2	3
HUTD1257MI	1,363	1,363	1,363
HUTD1557MI	1,432	1,432	1,432
HUTD1857MI	1,504	1,504	1,504
HUTD2157MI	1,580	1,580	1,580
HUTD2457MI	1,659	1,659	1,659
HUTD2457BMI	1,659	1,659	1,659
HUTD2757BMI	1,742	1,742	1,742
HUTD3057BMI	1,830	1,830	1,830
HUTD3357BMI	1,922	1,922	1,922
HUTD3657BMI	2,019	2,019	2,019

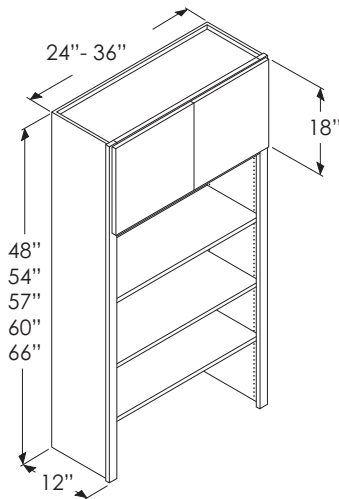
# FURNITURE

## Countertop Bookcase with Doors



### 60" High - Three Shelves

SKU	1	2	3
HUTD1260MI	1,432	1,432	1,432
HUTD1560MI	1,504	1,504	1,504
HUTD1860MI	1,580	1,580	1,580
HUTD2160MI	1,659	1,659	1,659
HUTD2460MI	1,742	1,742	1,742
HUTD2460BMI	1,742	1,742	1,742
HUTD2760BMI	1,830	1,830	1,830
HUTD3060BMI	1,922	1,922	1,922
HUTD3360BMI	2,019	2,019	2,019
HUTD3660BMI	2,120	2,120	2,120



### 66" High - Four Shelves

SKU	1	2	3
HUTD1266MI	1,575	1,575	1,575
HUTD1566MI	1,654	1,654	1,654
HUTD1866MI	1,737	1,737	1,737
HUTD2166MI	1,824	1,824	1,824
HUTD2466MI	1,916	1,916	1,916
HUTD2466BMI	1,916	1,916	1,916
HUTD2766BMI	2,012	2,012	2,012
HUTD3066BMI	2,113	2,113	2,113
HUTD3366BMI	2,219	2,219	2,219
HUTD3666BMI	2,330	2,330	2,330

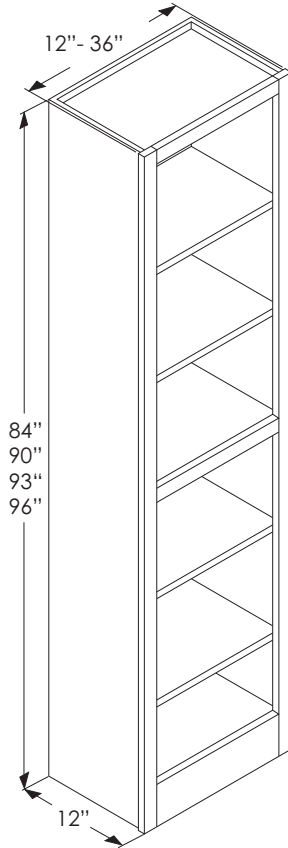
- Matching Finished Interior is standard.
- 18" dimension indicates height of top cabinet section. To change the height see Stacked Cabinet Modification.

DESIGNER TIP:

- To use as locker cabinets use modifications OS to omit shelves and ODH to omit drill holes.

# FURNITURE

## Tall Bookcase Cabinets



- Matching finished interior is standard.
- Flush toe is standard.
- Middle shelf is fixed.

### 84" High Bookcase

SKU	1	2	3
BC128412MI	1,147	1,147	1,147
BC158412MI	1,205	1,205	1,205
BC188412MI	1,266	1,266	1,266
BC218412MI	1,330	1,330	1,330
BC248412MI	1,397	1,397	1,397
BC278412MI	1,467	1,467	1,467
BC308412MI	1,541	1,541	1,541
BC338412MI	1,619	1,619	1,619
BC368412MI	1,700	1,700	1,700

### 90" High Bookcase

SKU	1	2	3
BC129012MI	1,262	1,262	1,262
BC159012MI	1,326	1,326	1,326
BC189012MI	1,393	1,393	1,393
BC219012MI	1,463	1,463	1,463
BC249012MI	1,537	1,537	1,537
BC279012MI	1,614	1,614	1,614
BC309012MI	1,695	1,695	1,695
BC339012MI	1,780	1,780	1,780
BC369012MI	1,869	1,869	1,869

### 93" High Bookcase

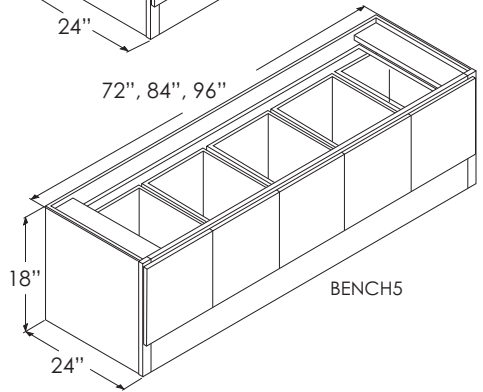
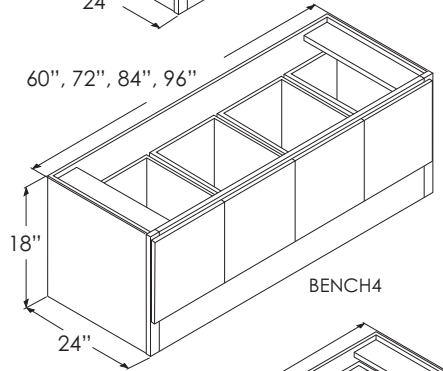
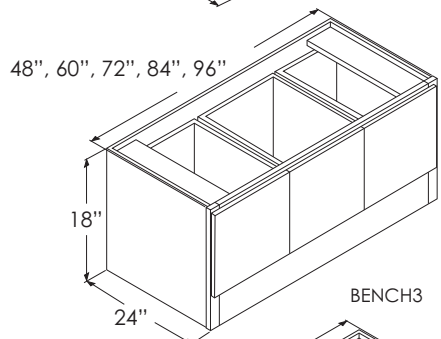
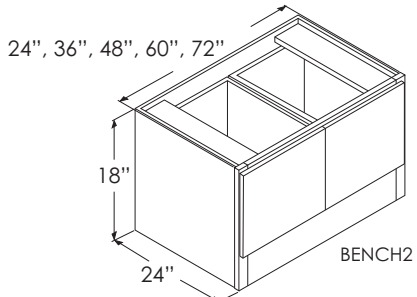
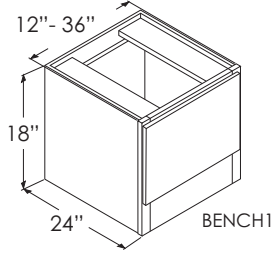
SKU	1	2	3
BC129312MI	1,459	1,459	1,459
BC159312MI	1,532	1,532	1,532
BC189312MI	1,609	1,609	1,609
BC219312MI	1,690	1,690	1,690
BC249312MI	1,775	1,775	1,775
BC279312MI	1,864	1,864	1,864
BC309312MI	1,958	1,958	1,958
BC339312MI	2,056	2,056	2,056
BC369312MI	2,159	2,159	2,159

### 96" High Bookcase

SKU	1	2	3
BC129612MI	1,686	1,686	1,686
BC159612MI	1,771	1,771	1,771
BC189612MI	1,860	1,860	1,860
BC219612MI	1,953	1,953	1,953
BC249612MI	2,051	2,051	2,051
BC279612MI	2,154	2,154	2,154
BC309612MI	2,262	2,262	2,262
BC339612MI	2,376	2,376	2,376
BC369612MI	2,495	2,495	2,495

# FURNITURE

## Bench Base Cabinets



### Bench

SKU	1	2	3
BENCH1D1224	711	747	785
BENCH1D1524	748	786	826
BENCH1D1824	787	827	869
BENCH1D2124	828	870	914
BENCH1D2424	911	957	1,005
BENCH1D2724	1,003	1,054	1,107
BENCH1D3024	1,104	1,160	1,218
BENCH1D3324	1,215	1,276	1,340
BENCH1D3624	1,337	1,404	1,475

BENCH2D2424	1,011	1,062	1,116
BENCH2D3624	1,483	1,558	1,636
BENCH2D4824	1,780	1,869	1,963
BENCH2D6024	1,958	2,056	2,160
BENCH2D7224	2,154	2,262	2,376

BENCH3D4824	1,894	1,989	2,089
BENCH3D6024	2,084	2,189	2,299
BENCH3D7224	2,293	2,408	2,529
BENCH3D8424	2,523	2,650	2,783
BENCH3D9624	2,776	2,915	3,061

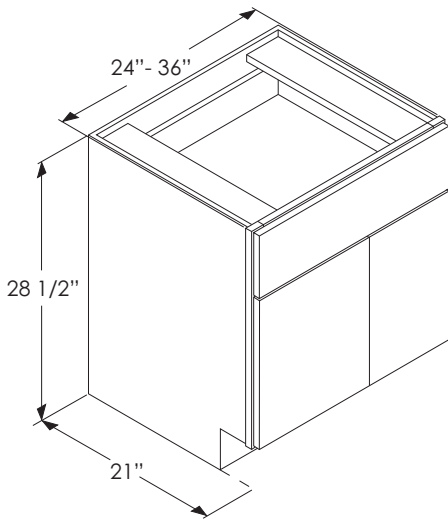
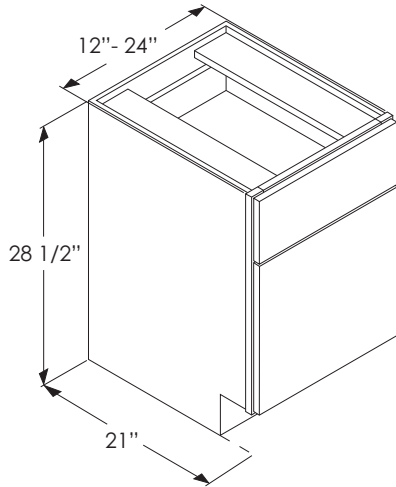
BENCH4D6024	2,384	2,504	2,630
BENCH4D7224	2,623	2,755	2,893
BENCH4D8424	2,886	3,031	3,183
BENCH4D9624	3,175	3,334	3,501

BENCH5D7224	2,923	3,070	3,224
BENCH5D8424	3,216	3,377	3,546
BENCH5D9624	3,538	3,715	3,901

- Bench Cabinets are 24" deep, but are available in 18" and 21" depths at no charge. Specify depth at the end of SKU.
- Flush toe kick is standard.

# FURNITURE

## Desk Base Cabinets



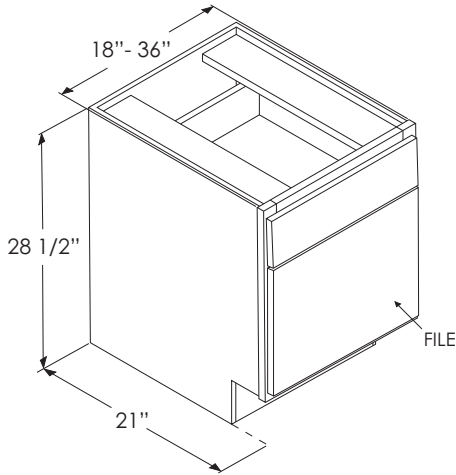
### 28 1/2" High

SKU	1	2	3
VB12DH	810	859	907
VB15DH	868	920	972
VB18DH	902	956	1,010
VB21DH	992	1,052	1,111
VB24DH	1,008	1,068	1,129
VB24BDH	1,008	1,068	1,129
VB27BDH	1,140	1,208	1,277
VB30BDH	1,220	1,293	1,366
VB33BDH	1,315	1,394	1,473
VB36BDH	1,370	1,452	1,534

# FURNITURE

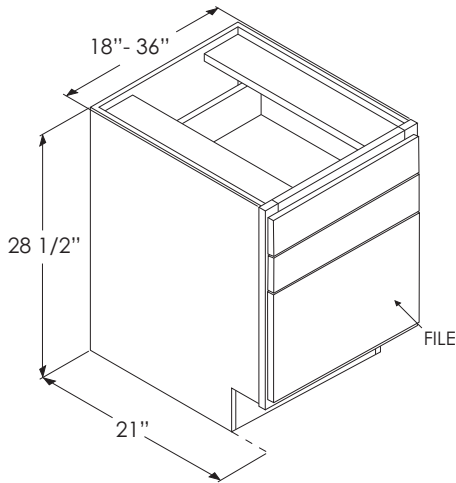
## Desk File Drawer Cabinets

### 28 1/2" High - 2 Drawer File



SKU	1	2	3
V2D18DH	1,068	1,132	1,196
V2D21DH	1,122	1,189	1,256
V2D24DH	1,179	1,249	1,319
V2D27DH	1,238	1,312	1,385
V2D30DH	1,300	1,378	1,455
V2D33DH	1,365	1,447	1,528
V2D36DH	1,434	1,520	1,605

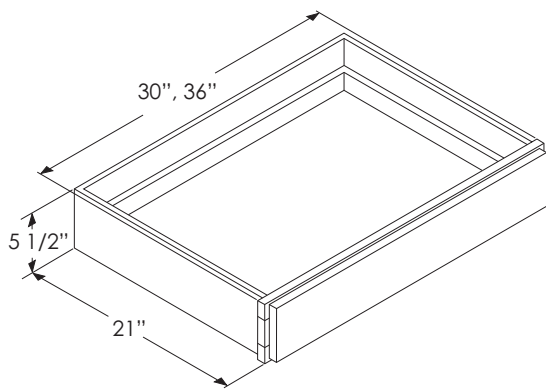
### 28 1/2" High - 3 Drawer File



SKU	1	2	3
V3D18DH	1,232	1,306	1,380
V3D21DH	1,322	1,401	1,481
V3D24DH	1,389	1,472	1,556
V3D27DH	1,459	1,546	1,634
V3D30DH	1,532	1,624	1,716
V3D33DH	1,609	1,706	1,802
V3D36DH	1,690	1,792	1,893

# FURNITURE

## Desk Drawers

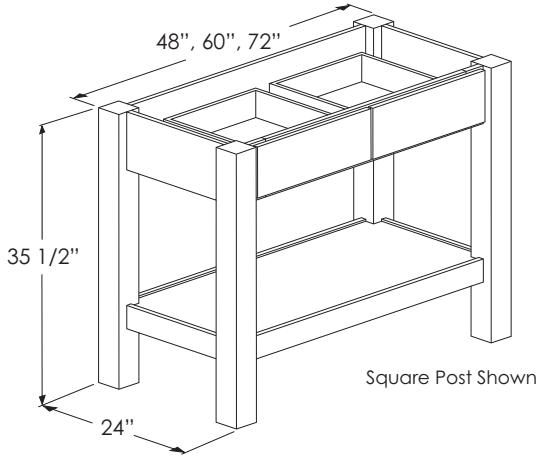


### Desk Drawer

SKU	1	2	3
VK30	500	500	500
VK36	500	500	500

# FURNITURE

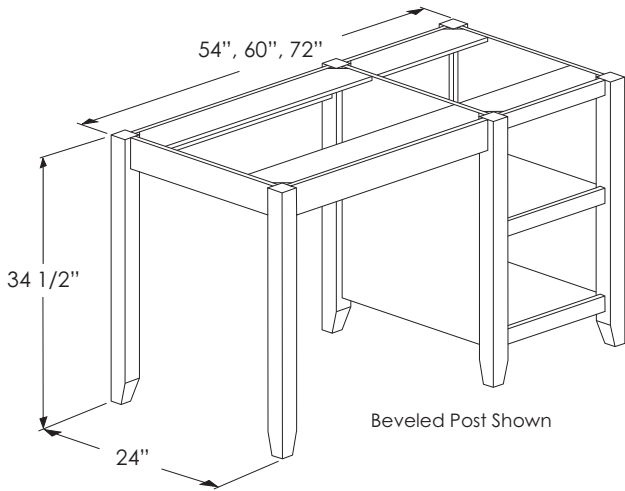
## Movable Island Cabinets



### Two Drawer

SKU	1	2	3
ISLAND2448355	2,750	2,750	2,750
ISLAND2460355	2,850	2,850	2,850
ISLAND2472355	2,950	2,950	2,950

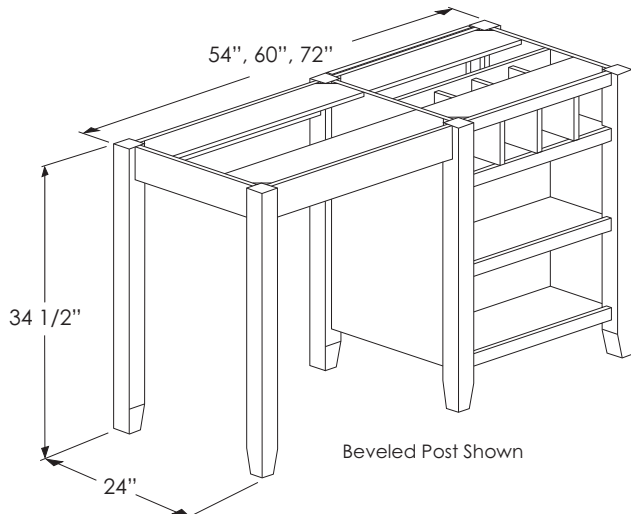
- 3 1/2" Post.
- Square post only.
- Backside of island has two false drawer fronts.



### Open Shelf - Square Post

SKU	1	2	3
ISLAND-OPSLF-SQL6-54	2,833	2,833	2,833
ISLAND-OPSLF-SQL6-60	3,083	3,083	3,083
ISLAND-OPSLF-SQL6-72	3,230	3,230	3,230

- 2 1/2" Post.
- Table side is shipped loose.



### Open Shelf - Beveled Post

SKU	1	2	3
ISLAND-OPSLF-TAPLG-54	2,930	2,930	2,930
ISLAND-OPSLF-TAPLG-60	3,240	3,240	3,240
ISLAND-OPSLF-TAPLG-72	3,600	3,600	3,600

- 2 1/2" Post.
- Table side is shipped loose.

### Wine Shelf - Square Post

SKU	1	2	3
ISLAND-WINC-SQL6-54	3,568	3,568	3,568
ISLAND-WINC-SQL6-60	3,653	3,653	3,653
ISLAND-WINC-SQL6-72	3,733	3,733	3,733

- 2 1/2" Post.
- Table side is shipped loose.

### Wine Shelf - Beveled Post

SKU	1	2	3
ISLAND-WINC-TAPLG-54	3,665	3,665	3,665
ISLAND-WINC-TAPLG-60	3,750	3,750	3,750
ISLAND-WINC-TAPLG-72	3,830	3,830	3,830

- 2 1/2" Post.
- Table side is shipped loose.

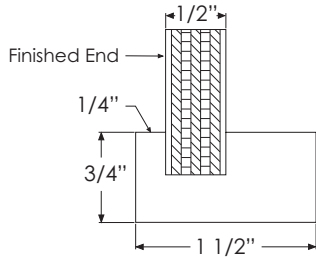


# MODIFICATIONS

## Modifications Index

Item	Page
3 Door Option _____	117
Base Cabinet and Vanity Cabinet with Bottom Drawer _____	117
Convert Shelf to Shelf and Rail _____	119
Flush Toe Kick _____	118
Full Depth Shelf for Base Cabinet _____	119
Dimension Modifications - Depth _____	115
Dimension Modifications - Height _____	115
Dimension Modifications - Width _____	115
Drawer Front 5-Piece _____	120
Extended Stile _____	114
Extended Stile Down _____	118
Extended Side Back _____	114
Face Frame and Door _____	117
Finished Ends _____	114
Flush Finished Ends _____	114
Matching Finished Interior _____	119
Omit Door _____	116
Omit Drill Holes _____	119
Omit Shelves _____	119
Omit Toe Kick _____	118
Peninsula _____	116
Prepare Door for Glass _____	116
Prepare Door for Glass with Mullions _____	116
Recessed Toe Kick _____	118
Ship Toe Kick Loose _____	118
Stacked Wall Cabinet Modification _____	117
Vanity Height for Three Drawer Tall Linen Cabinet _____	119
Wide Top Rail _____	115

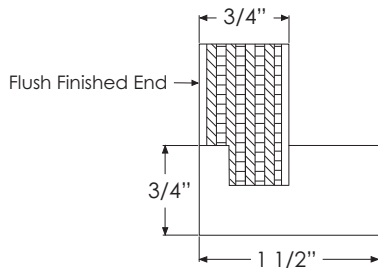
# MODIFICATIONS



## Finished Ends

SKU	Price
FEL	125
FER	125
FEB	250

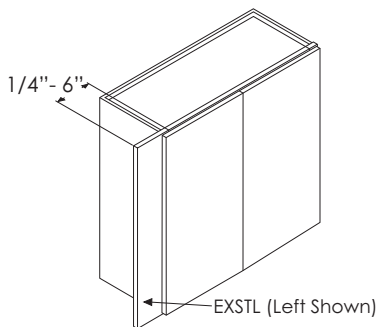
- A Finished End is 1/2" plywood with a matching veneer and finish on the exterior.
- Specify Finished End Left, Right, or Both.  
 FEL - Finished End Left  
 FER - Finished End Right  
 FEB - Finished End Both



## Flush Finished Ends

SKU	Price
FFEL	200
FFER	200
FFEB	400

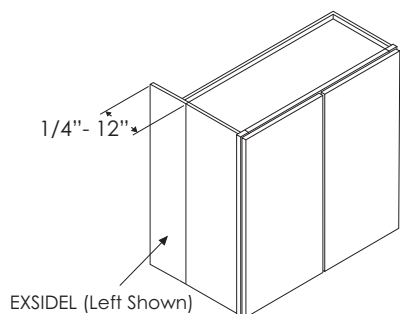
- A Flush Finished End is 3/4" plywood with a matching veneer and finish on the exterior.
- Specify Flush Finished End Left, Right, or Both.  
 FFEL - Flush Finished End Left  
 FFER - Flush Finished End Right  
 FFEB - Flush Finished End Both



## Extended Stile

SKU	Price
EXSTL	75
EXSTR	75

- Face frame stiles can be extended in 1/4" increments.
- Extended Stiles are NOT AVAILABLE for diagonal or curved cabinets.
- Specify Extended Stile Left or Right.  
 EXSTL - Extended Stile Left  
 EXSTR - Extended Stile Right

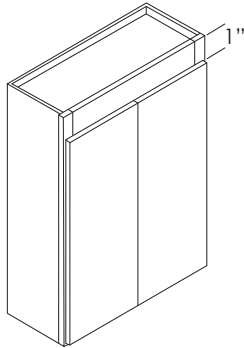


## Extended Side Back

SKU	Price
EXSIDEL	100
EXSIDER	100

- Extended Side Back can be extended in 1/4" increments.
- The requested dimension will add to the overall depth of the cabinet
- Specify Extended Side Back Left or Right  
 EXSIDEL - Extended Side Back Left  
 EXSIDER - Extended Side Back Right

# MODIFICATIONS



## Wide Top Rail

SKU	Price
TOPREV_1	NO CHARGE

- Available on Wall and Tall Cabinets.
- Overall cabinet height does not change.

## Dimension Modifications - Depth

SKU	Price
RD	\$150 per Cabinet
ID	\$150 per Cabinet

- Cabinets with NO active drawer (examples: Wall Cabinets, Full Height Base Cabinets) may be modified in 1/4" increments.
- Specify Depth Dimension Modification.
  - RD - Reduce Depth
  - ID - Increase Depth
- Cabinets with drawers are LIMITED to 3" increments due to drawer hardware limitations.

## Dimension Modifications - Width

SKU	Price
RW	\$150 per Cabinet
IW	\$150 per Cabinet

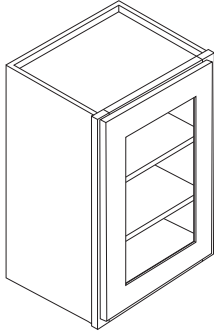
- Width modifications are available in 1/4" increments.
- Cabinets with installed accessories and diagonal cabinets are not available for width modifications.
- Specify Width Modification.
  - RW - Reduce Width
  - IW - Increase Width

## Dimension Modifications - Height

SKU	Price
RH	\$150 per Cabinet
IH (Walls, Bases)	\$150 per Cabinet
IH (Talls)	Add 50% to Cabinet Price

- Height modifications are available in 1/4" increments.
- Cabinets with installed accessories and diagonal cabinets are not available for height modifications.
- Specify Height Modification.
  - RH - Reduce Height
  - IH - Increase Height

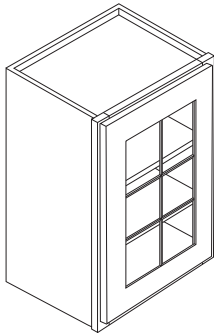
# MODIFICATIONS



## Prepare Door for Glass

SKU	Price
GP	Add 20% to Cabinet Price

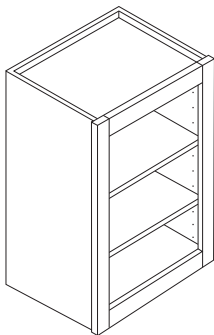
- Glass is not included.
- Matching Finished Interior (MI) is included.



## Prepare Door for Glass with Mullions

SKU	Price
GPMU	Add 25% to Cabinet Price

- Glass is not included.
- Matching Finished Interior (MI) is included.



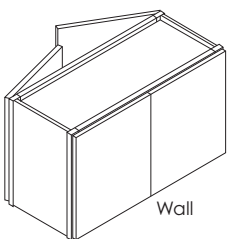
## Omit Door(s)

SKU	Price
ND	75% of Cabinet Price

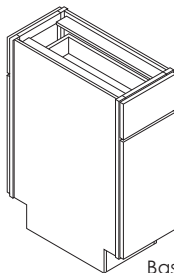
## Peninsula Cabinet

SKU	Price
_P	Add 75% to Cabinet Price

- Available on standard Wall and Base Cabinets. Example : W2436\_P.
- Base Cabinets will have a false drawer front, operating door(s) and toe kick on Dining Side.

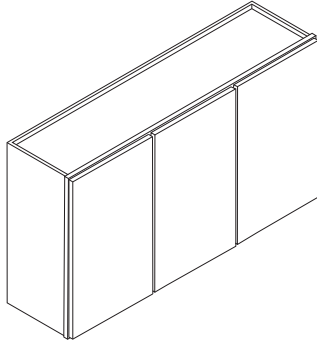


Wall



Base

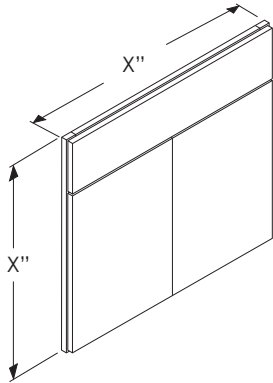
# MODIFICATIONS



## 3 Door Option

SKU	Price
3D	Add 25% to Cabinet Price

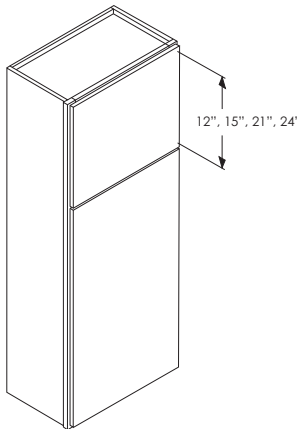
- Available on 39", 42", 45" and 48" wide cabinets only.
- Covers 2 doors to 3 doors.
- Specify hinging. Example W4836LLR.



## Face Frame and Doors

SKU	Price
_FFD	50% of Cabinet Price

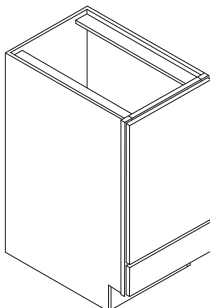
- Available on standard Wall, Base, Tall Cabinets, and Vanity Cabinets.
- Specify standard cabinet code for Face Frame and Door. Example: B21\_Front.
- If standard cabinet includes a drawer, drawer front will be false.



## Stacked Wall Cabinet Modification

SKU	Price
_12T	No charge
_15T	No charge
_21T	No charge
_24T	No charge

- Stack cabinet 12" High matches 12" High cabinet
- Stack cabinet 15" High matches 15" High cabinet
- Stack cabinet 21" High matches 21" High cabinet
- Stack cabinet 24" High matches 24" High cabinet

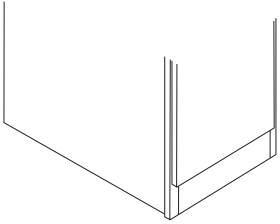


## Base Cabinet and Vanity Cabinet with Bottom Drawer

SKU	Price
REVERSE	\$200 per Cabinet

- Inverts face frame making drawer on bottom and door on top.
- Only available in single drawer base cabinets.

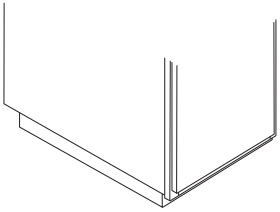
# MODIFICATIONS



## Flush Toe Kick

SKU	Price
FTK	150

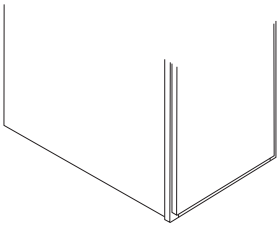
- NOT AVAILABLE on corner cabinets.



## Recessed Toe Kick

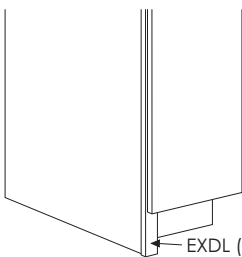
SKU	Price
RTKL	100
RTKR	100
RTKF	100

- NOT AVAILABLE in tall cabinets with loose toe kick.



## Omit Toe Kick

SKU	Price
NTK	0

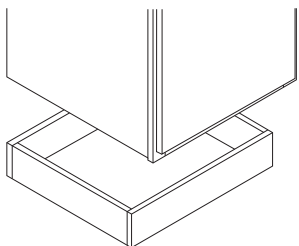


EXDL (Left Shown)

## Extended Stile Down

SKU	Price
EXDL	150
EXDR	150

- Face frame stile and end panel are extended down.
- For Base, Vanity, and Tall Cabinets.



## Ship Toe Kick Loose

SKU	Price
STKL	100

- Toe Kick is removed and loose toe kick box is supplied for install onsite.

# MODIFICATIONS

## Vanity Height for Three Drawer Tall Linen Cabinet

SKU	Price
_VDRW	No charge

## Omit Drill Holes

SKU	Price
ODH	\$100 per Cabinet

## Omit Shelves

SKU	Price
OS	\$100 per Cabinet

## Convert Shelf to Shelf and Rail

SKU	Price
SR	Add 25% to Cabinet Price

## Full Depth Shelf for Base Cabinet

SKU	Price
FDSH	\$50 per Cabinet

- Half depth shelf changes to full depth shelf.
- Available only for Base Cabinets.

## Matching Finished Interior

SKU	Price
MI	Add 15% to Cabinet Price

- Cabinet interior will match exterior wood species and finish.

# MODIFICATIONS

## Drawer Front 5-Piece

SKU	Price
5PIECE	\$75 per Drawer Front

- See Door Style section for availability on individual door styles.



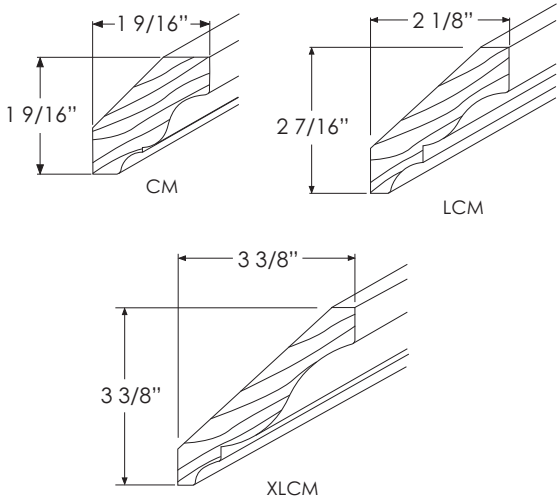
# MOLDINGS and MISC.

## Moldings and Misc. Index

Item	Page
Base Shoe Molding _____	125
Batten Molding _____	124
Bracket _____	128
Corbel _____	128
Cove Molding _____	122
Crown Molding _____	122
Door Bumpers _____	133
Drawer Front Only _____	128
Drawer Guides _____	133
Door Only _____	128
False Front Clip _____	133
Floating Shelves _____	129
Furniture Base Molding _____	125
Hinges _____	134
Inside Corner Molding _____	124
Outside Corner Molding _____	124
Posts _____	126
Pull - Out Storage _____	132
Roll - Out Shelves _____	131
Scribe Molding _____	124
Screws _____	133
Shaker Molding _____	122
Shelf Clips _____	133
Shelves _____	130
Starter Molding _____	123
Solid Stock _____	127
Tilt - Out _____	132
Toe Kick _____	125
Touch Up _____	134
Trash Pull Out Kits _____	131
Under Cabinet Molding _____	123
Valances _____	126
Wood Tops _____	127

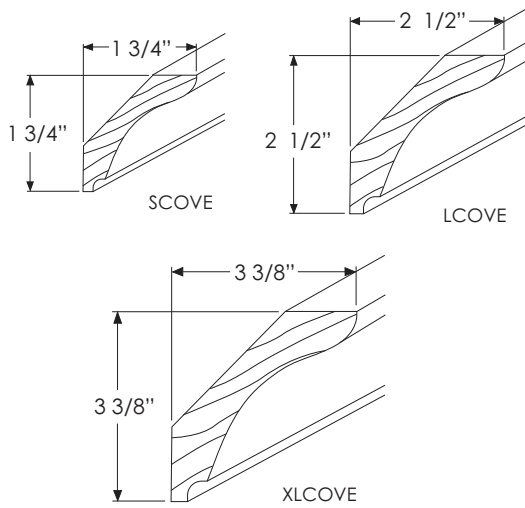
# MOLDINGS and MISC.

## Moldings



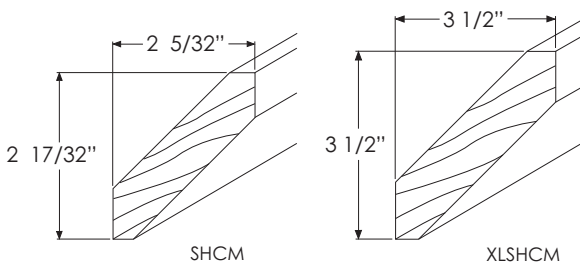
### Crown Moldings - 8 ft and 10 ft

SKU	Price
CM8S	121
LCM8S	132
XLCM8S	210
CM10S	181
LCM10S	192
XLCM10S	290



### Cove Moldings - 8 ft and 10 ft

SKU	Price
SCOVE8S	132
LCOVE8S	145
XLCOVE8S	218
SCOVE10S	192
LCOVE10S	205
XLCOVE10S	300

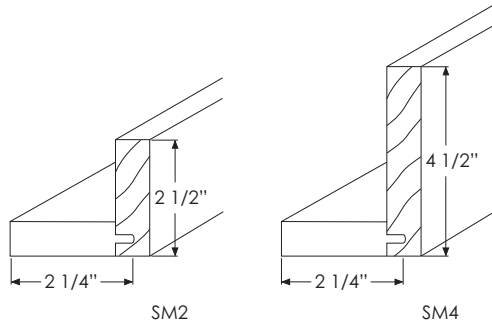


### Shaker Moldings - 8 ft and 10 ft

SKU	Price
SHCM8S	121
XLSHCM8S	200
SHCM10S	181
XLSHCM10S	290

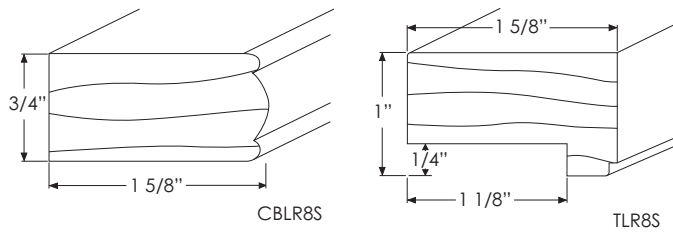
# MOLDINGS and MISC.

## Moldings



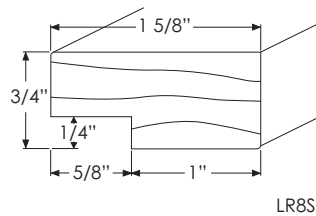
### Starter Moldings

SKU	Price
SM2	270
SM4	340



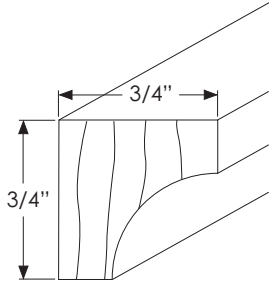
### Under Cabinet Moldings

SKU	Price
CBLR8S	132
TLR8S	132
LR8S	132



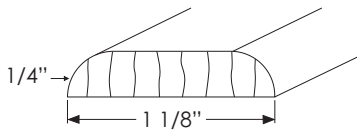
# MOLDINGS and MISC.

## Moldings



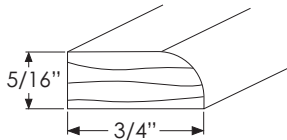
### Inside Corner Molding

SKU	Price
IC8S	76



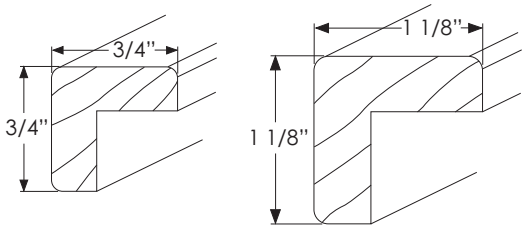
### Batten Molding

SKU	Price
BM8S	65



### Scribe Molding

SKU	Price
SCM8S	52

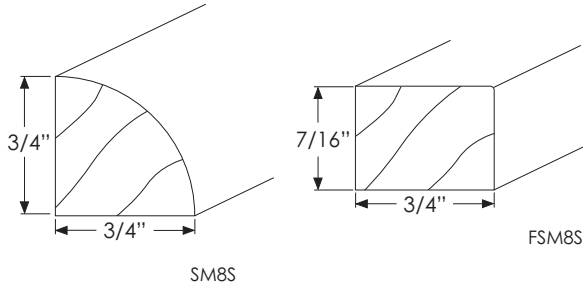


### Outside Corner Moldings

SKU	Price
OC8S	76
LOC8S	110

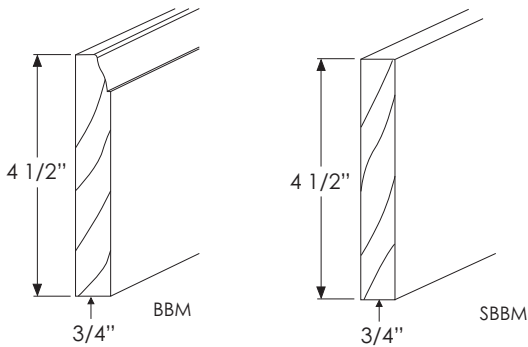
# MOLDINGS and MISC.

## Moldings



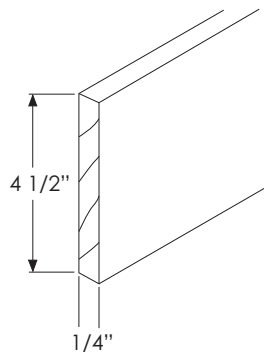
### Base Shoe Moldings

SKU	Price
SM8S	76
FSM8S	70



### Furniture Base Moldings - 8ft and 10ft

SKU	Price
BBM8S	164
SBBM8S	150
BBM10S	210
SBBM10S	190

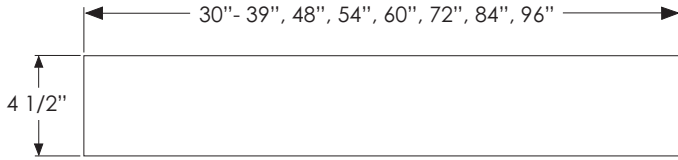


### Toe Kick

SKU	Price
TK8S	40

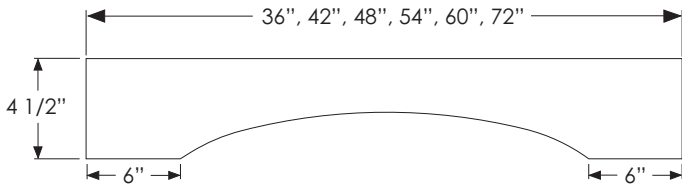
# MOLDINGS and MISC.

## Valances and Posts



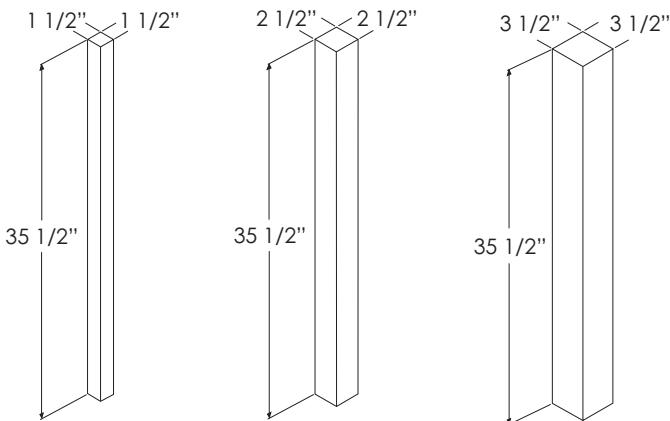
### Valance

SKU	Price
VAL30	104
VAL33	104
VAL36	104
VAL39	117
VAL48	124
VAL54	145
VAL60	145
VAL72	164
VAL84	186
VAL96	235



### Arched Valance

SKU	Price
A-VAL36	145
A-VAL42	152
A-VAL48	160
A-VAL54	184
A-VAL60	184
A-VAL72	202

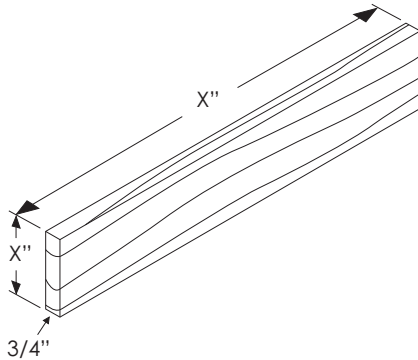


### Post

SKU	Price
SQPOST1.5X1.5X35.5	226
SQPOST2.5X2.5X35.5	246
SQPOST3.5X3.5X35.5	266

# MOLDINGS and MISC.

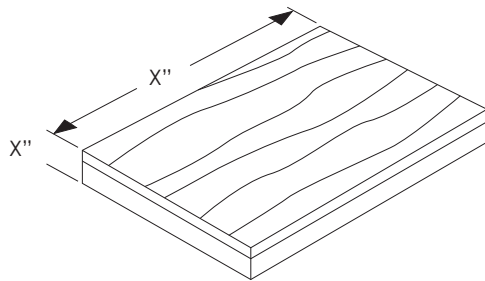
## Solid Stock and Wood Tops



### Solid Stock

SKU	Price
SS	\$95 sq ft
SSXL	\$125 sq ft

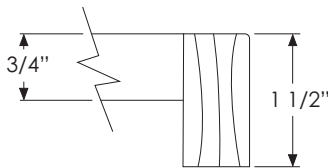
- For lengths over 96" use SSXL SKU.
- Finish 1 face, 2 long edges.
- Maximum length is 120".
- Maximum width is 6".
- No profiling edge.



### Wood Tops

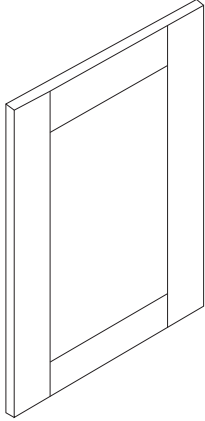
SKU	Price
WT	\$100 sq ft
WTNS	\$100 sq ft

- Wood tops have eased edge.
- Specify Left, Right, Front, Back for finished edge.
- Wood Tops are 3/4" T veneer core plywood with 1 1/2" T applied molding.
- Maximum size for standard wood top is 42" deep x 96" Long.
- For lengths longer than 96", specify WTNS. Maximum length is 120"



# MOLDINGS and MISC.

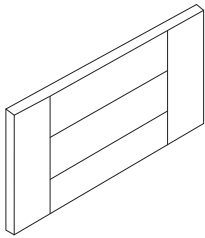
## Door Only, Corbels and Brackets



### Door Only

SKU		Price
DR	Maple & Red Oak	\$95 sq ft

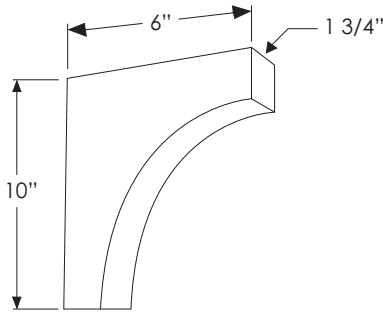
- Unless specified, doors over 42" high will have double panel.
- Doors are drilled for hinges and include hinges. To specify no drilling for hinges, use `_NODRILL`.  
Example: DR24x30\_NODRILL.



### Drawer Front Only

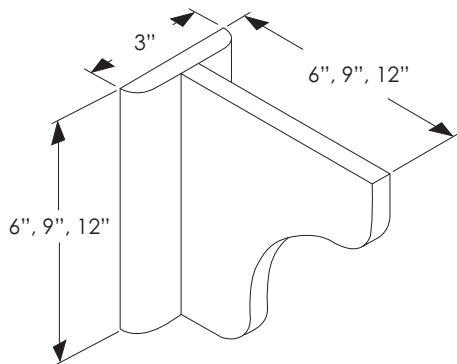
SKU		Price
DF		\$95 sq ft

- Specify slab or 5 piece.



### Corbel

SKU		Price
CORBEL		150



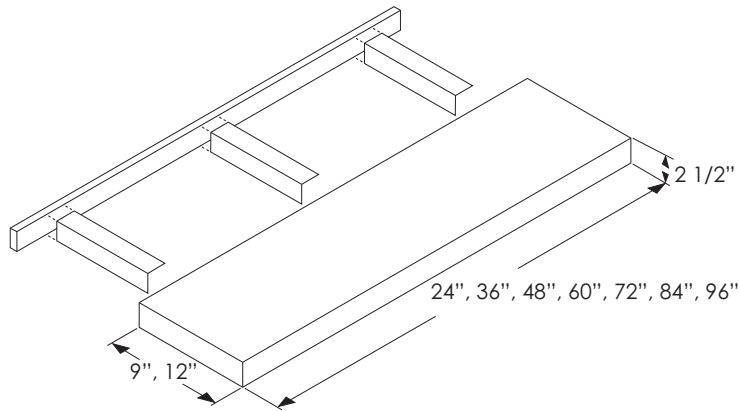
### Bracket

SKU		Price
WSB66		150
WSB99		189
WSB1212		227



# MOLDINGS and MISC.

## Floating Shelves



### Floating Shelves - 9" Deep

SKU	Price
FLSH249	462
FLSH369	598
FLSH489	810
FLSH609	1,382
FLSH729	1,659
FLSH849	1,825
FLSH969	2,008

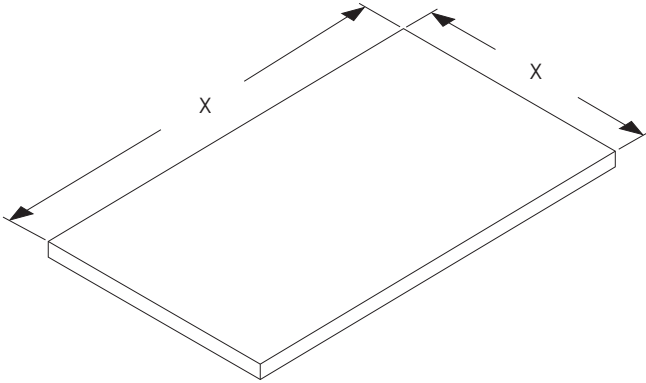
### Floating Shelves - 12" Deep

SKU	Price
FLSH2412	462
FLSH3612	598
FLSH4812	810
FLSH6012	1,382
FLSH7212	1,659
FLSH8412	1,825
FLSH9612	2,008

- Floating Shelves can be cut down in 3" increments at no charge.

# MOLDINGS and MISC.

## Shelves



- 9"- 48" widths available for 12" deep cabinets.
- 12"- 36" widths available for 21" and 24" deep cabinets.
- Shelves are Natural Maple Veneer.

### Shelves - 12" Deep

SKU	Price
SH912	32
SH1212	32
SH1512	41
SH1812	50
SH2112	59
SH2412	69
SH2712	78
SH3012	87
SH3312	97
SH3612	106
SH3912	117
SH4212	129
SH4512	142
SH4812	157

### Shelves - 21" Deep

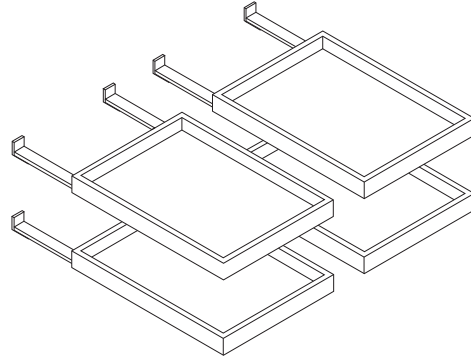
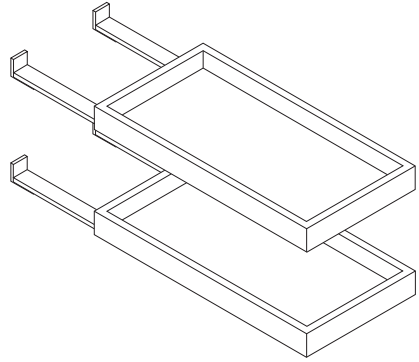
SKU	Price
SH1221	70
SH1521	75
SH1821	92
SH2121	109
SH2421	126
SH2721	156
SH3021	161
SH3321	178
SH3621	196

### Shelves - 24" Deep

SKU	Price
SH1224	67
SH1524	87
SH1824	106
SH2124	126
SH2424	146
SH2724	166
SH3024	185
SH3324	205
SH3624	224

# MOLDINGS and MISC.

## Accessories

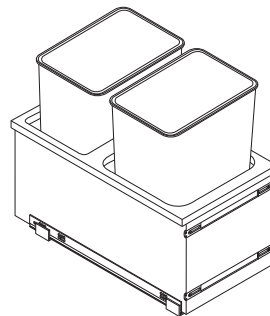
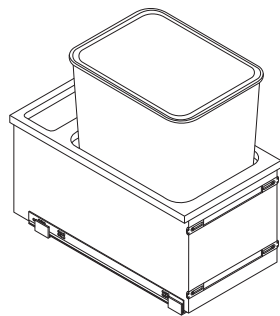


### Roll-Out Shelves - Butt Door Cabinets

SKU	Price
ROS15_2	925
ROS18_2	953
ROS21_2	982
ROS24_2	1,012
ROS27_2	1,043
ROS30_2	1,075
ROS33_2	1,108
ROS36_2	1,142

### Roll-Out Shelves - Non-Butt Door Cabinets

SKU	Price
ROS39_4	2,003
ROS42_4	2,064
ROS45_4	2,126
ROS48_4	2,190

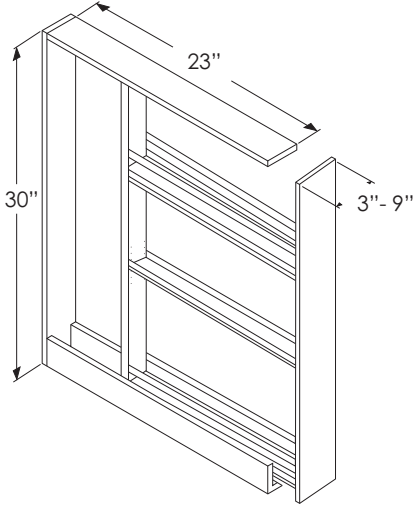


### Trash Pull Out Kits

SKU	Price
BIN1_15	1,100
BIN2_18	1,120
BIN2_21	1,140

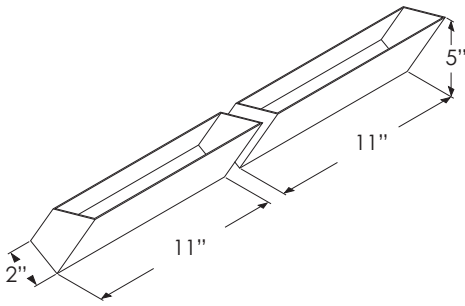
# MOLDINGS and MISC.

## Accessories



### Pull-Out Storage

SKU	Price
POSC3	880
POSC6	1,041
BCSC6	1,280
BCSC9	1,440



### Tilt-Out

SKU	Price
TOST	300

# MOLDINGS and MISC.

## Accessories

### Undermount Soft Close Drawer Slide

SKU	Price
18SLIDE SET UNDER	120
21SLIDE SET UNDER	120
24SLIDE SET UNDER	120

### Screws

SKU	Price
DRFRONT SCREW25	27
HINGE SCREW25	20
SLIDE SCREW25	16

### Door Bumpers

SKU	Price
BUMPERS100	21

### 3/4" Shelf Clips

SKU	Price
SHELFCLIPS25_75 (25 count)	37
SHELFCLIPS100_75 (75 count)	66
SHELFCLIPS25_NO_LOCK (25 count)	20
SHELFCLIPS100_NO_LOCK (75 count)	66

### False Front Clip

SKU	Price
4.5_FALSEFRONT_CLIP	13

# MOLDINGS and MISC.

## Accessories

### Soft Close Full Overlay Hinge

SKU	Price
HINGES_SOFT_FOL_PAIR	\$40 per Pair

### Lazy Susan Hinge

SKU	Price
LSHINGE_SIDE	\$55 per Pair
LSHINGE_CENTER	\$66 per Pair

### Touch Up Items

SKU	Price
QSTAIN	79
QPAINT	94
TOPCOAT_CAN	72
TUK	69

- QSTAIN - Quart of Stain
- QPAINT - Quart of Paint
- TUK includes - stain marker, filler, and sponge.

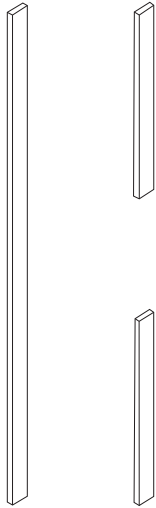
# FILLERS and PANELS

## Fillers and Panels Index

Item	Page
Corner Fillers _____	137
Decorative Wainscot Panel _____	142
Door Applied - Loose _____	143
End Panels _____	139
Fillers _____	136
Fluted Fillers _____	137
Overlay Fillers _____	138
Panels _____	141
Plywood Skin _____	144
Two Sided End Panels _____	140

# FILLERS and PANELS

## Fillers



### Wall Fillers 3" and 6"

SKU	Price
WF312	49
WF315	49
WF318	49
WF321	49
WF324	49
WF330	49
WF336	61
WF339	72
WF342	72
WF348	85
WF354	90
WF357	90
WF360	90

SKU	Price
WF612	96
WF615	96
WF618	96
WF621	96
WF624	96
WF630	96
WF636	106
WF639	117
WF642	129
WF648	142
WF654	157
WF657	173
WF660	173

- Fillers are finished on one side and two long edges.
- Base, Vanity, Desk, and Tall Fillers are full height.  
Base - 34 1/2" H  
Vanity - 31 1/2" H  
Desk - 28 1/2" H

### Base Fillers 3" and 6"

SKU	Price
BF3	49

SKU	Price
BF6	96

### Vanity Fillers 3" and 6"

SKU	Price
VF3	49

SKU	Price
VF6	96

### Desk Fillers 3" and 6"

SKU	Price
DF3	49

SKU	Price
DF6	96

### Tall Fillers 3" and 6"

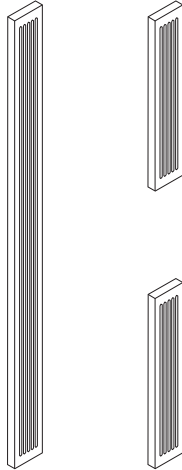
SKU	Price
TF384	123
TF390	127
TF393	127
TF396	127
TF3102	200
TF3108	200

SKU	Price
TF684	351
TF690	357
TF693	357
TF696	357
TF6102	457
TF6108	457

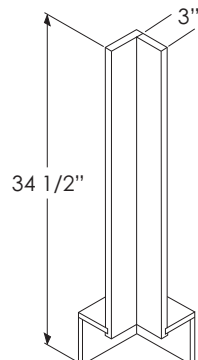


# FILLERS and PANELS

## Fluted Fillers and Corner Fillers



- Fillers are finished on one side and two long edges.
- Base, Vanity, Desk, and Tall Fillers are full height.  
 Base - 34 1/2" H  
 Vanity - 31 1/2" H  
 Desk - 28 1/2" H



### Wall Fluted Fillers

SKU	Price
WFMFLUTE312	83
WFMFLUTE315	87
WFMFLUTE318	93
WFMFLUTE321	95
WFMFLUTE324	97
WFMFLUTE330	102
WFMFLUTE336	110
WFMFLUTE339	114
WFMFLUTE342	118
WFMFLUTE348	137
WFMFLUTE354	153
WFMFLUTE357	162
WFMFLUTE360	170

### Base Fluted Fillers

SKU	Price
BFMFLUTE3	102

### Vanity Fluted Fillers

SKU	Price
VFMFLUTE3	102

### Desk Fluted Fillers

SKU	Price
DFMFLUTE3	102

### Tall Fluted Fillers

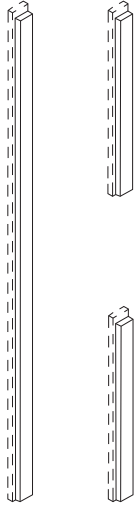
SKU	Price
TMFLUTE384	244
TMFLUTE390	262
TMFLUTE393	279
TMFLUTE396	279
TMFLUTE3102	310
TMFLUTE3108	310

### Corner Filler

SKU	Price
BCF3X3	113

# FILLERS and PANELS

## Overlay Fillers



- Overlay Filler shipped loose.
- Filler sold seperately.
- Overlay Filler finished front face & all edges

## Wall Overlay Fillers

SKU	Price
OF25115	49
OF25145	52
OF25175	52
OF25205	58
OF25235	61
OF25295	65
OF25355	69
OF25385	73
OF25415	77
OF25475	81
OF25535	86
OF25565	91
OF25595	96

## Base Overlay Fillers

SKU	Price
BOF25295	65

## Tall Overlay Fillers

SKU	Price
TOF2579	111
TOF2585	123
TOF2588	136
TOF2591	136
TOF2597	150
TOF25103	165

## Vanity Overlay Fillers

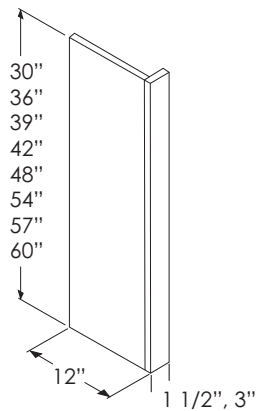
SKU	Price
VOF25265	65

## Desk Overlay Fillers

SKU	Price
DOF25235	61

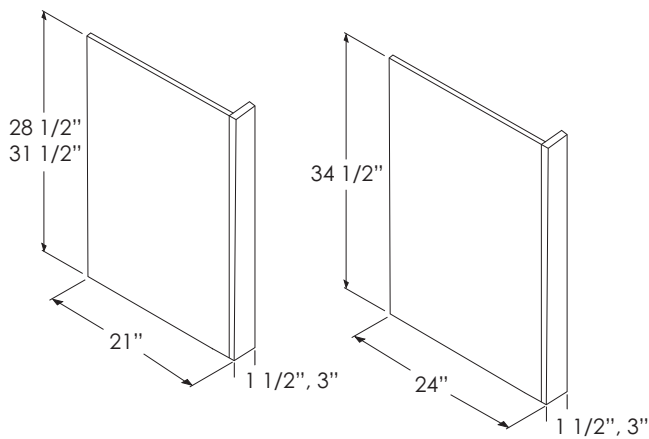
# FILLERS and PANELS

## End Panels



### Wall End Panels 1 1/2" and 3"

SKU	Price	SKU	Price
WEP1.530	119	WEP330	145
WEP1.536	119	WEP336	161
WEP1.539	132	WEP339	170
WEP1.542	132	WEP342	172
WEP1.548	146	WEP348	190
WEP1.554	161	WEP354	209
WEP1.557	178	WEP357	230
WEP1.560	196	WEP360	253



### Base End Panels 1 1/2" and 3"

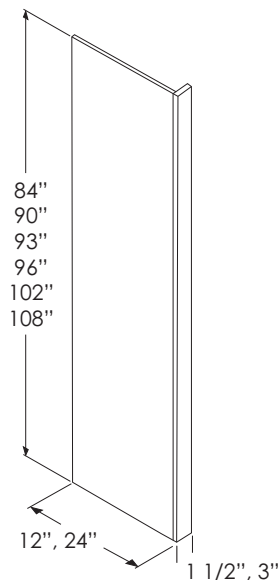
SKU	Price	SKU	Price
BEP1.5	130	BEP3	194

### Vanity End Panels 1 1/2" and 3"

SKU	Price	SKU	Price
VEP1.5	120	VEP3	132

### Desk End Panels 1 1/2" and 3"

SKU	Price	SKU	Price
DEP1.5	100	DEP3	164



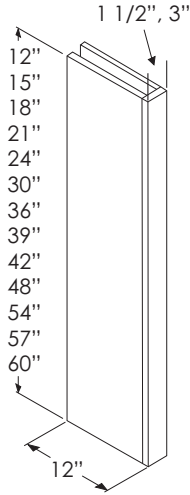
### Tall End Panels 1 1/2" and 3"

SKU	Price	SKU	Price
TEP1.58412	248	TEP38412	292
TEP1.58424	330	TEP38424	370
TEP1.59012	257	TEP39012	304
TEP1.59024	339	TEP39024	383
TEP1.59312	270	TEP39312	317
TEP1.59324	356	TEP39324	394
TEP1.59612	270	TEP39612	317
TEP1.59624	356	TEP39624	394
TEP1.510212	800	TEP310212	900
TEP1.510224	1,200	TEP310224	1,300
TEP1.510812	800	TEP310812	900
TEP1.510824	1,200	TEP310824	1,300

- Maximum height 114" high.
- Maximum depth 30" deep.
- Finished Ends Standard.
- Flush Toe Kick Standard.

# FILLERS and PANELS

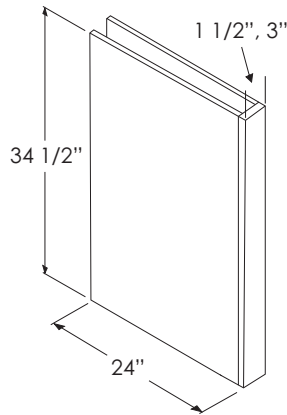
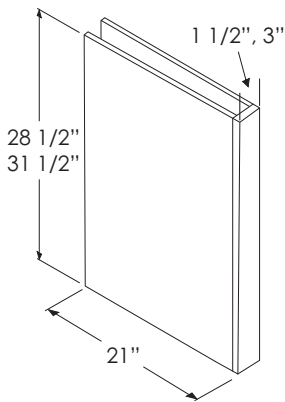
## Two Sided End Panels



### Wall Two Sided End Panels 1 1/2" and 3"

SKU	Price
WEP2S1.512	211
WEP2S1.515	222
WEP2S1.518	233
WEP2S1.521	245
WEP2S1.524	257
WEP2S1.530	270
WEP2S1.536	327
WEP2S1.539	360
WEP2S1.542	396
WEP2S1.548	416
WEP2S1.554	436
WEP2S1.557	458
WEP2S1.560	480

SKU	Price
WEP2S312	227
WEP2S315	238
WEP2S318	250
WEP2S321	263
WEP2S324	276
WEP2S330	290
WEP2S336	351
WEP2S339	387
WEP2S342	426
WEP2S348	448
WEP2S354	469
WEP2S357	493
WEP2S360	516



### Base Two Sided End Panels 1 1/2" and 3"

SKU	Price
BEP2S1.5	320

SKU	Price
BEP2S3	388

### Vanity Two Sided End Panels 1 1/2" and 3"

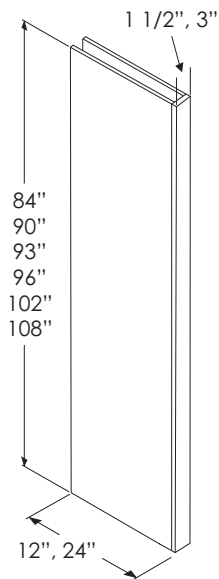
SKU	Price
VEP2S1.5	240

SKU	Price
VEP2S3	197

### Desk Two Sided End Panels 1 1/2" and 3"

SKU	Price
DEP2S1.5	200

SKU	Price
DEP2S3	328



### Tall Two Sided End Panels 1 1/2" and 3"

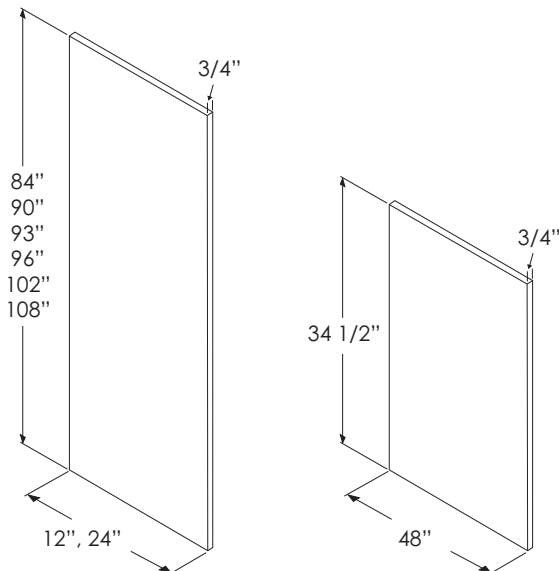
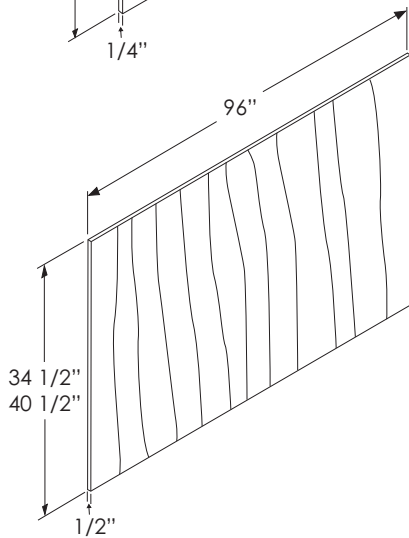
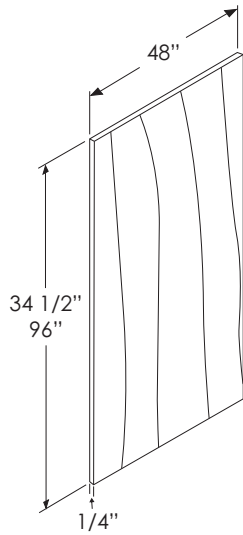
SKU	Price
TEP2S1.58412	534
TEP2S1.58424	690
TEP2S1.59012	558
TEP2S1.59024	640
TEP2S1.59312	584
TEP2S1.59324	640
TEP2S1.59612	584
TEP2S1.59624	640
TEP2S1.510212	1,550
TEP2S1.510224	2,350
TEP2S1.510812	1,550
TEP2S1.510824	2,350

SKU	Price
TEP2S38412	584
TEP2S38424	740
TEP2S39012	608
TEP2S39024	740
TEP2S39312	634
TEP2S39324	740
TEP2S39612	634
TEP2S39624	740
TEP2S310212	1,600
TEP2S310224	2,400
TEP2S310812	1,600
TEP2S310824	2,400

- Maximum height 114" high.
- Maximum depth 30" deep.
- Finished Ends Standard.
- Flush Toe Kick Standard.

# FILLERS and PANELS

## Panels



### 1/4" Thick Veneer Panels

SKU	Price
P4834.5	154
P4896	399

### 1/2" Thick Veneer Panels

SKU	Price
5_PANEL_96X345	600
5_PANEL_96X405	600

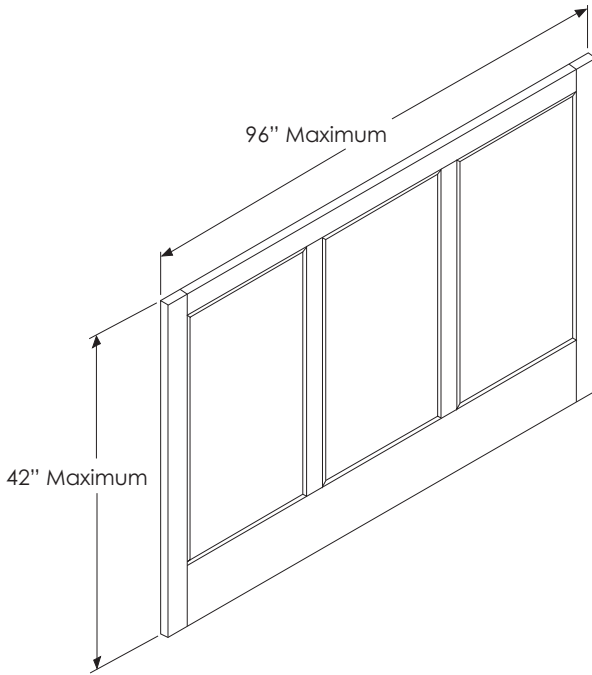
### 3/4" Thick Veneer Panels

SKU	Price
BEP75_PANEL	300
75_PANEL_12X84	600
75_PANEL_24X84	700
75_PANEL_12X90	650
75_PANEL_24X90	750
75_PANEL_12X93	675
75_PANEL_24X93	775
75_PANEL_12X96	700
75_PANEL_24X96	800
75_PANEL_12X102	900
75_PANEL_24X102	1,100
75_PANEL_12X108	900
75_PANEL_24X108	1,100

- Finished both sides. Edgebanded on one long edge.

# FILLERS and PANELS

## Decorative Wainscot Panel



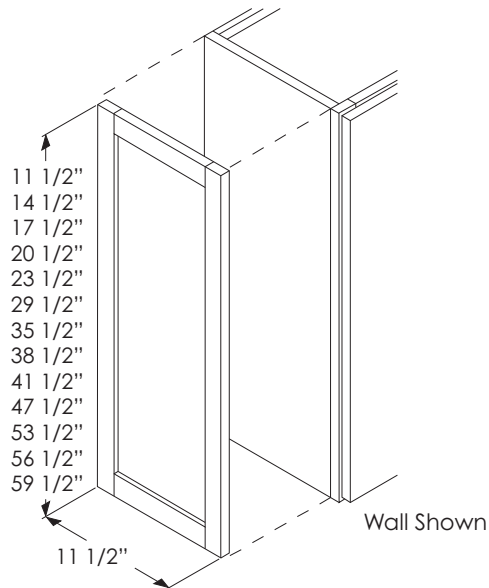
Width Dimension	Number of Inserts
9" wide to 24" wide	1 Insert
over 24" wide to 39" wide	2 Inserts
over 39" wide to 60" wide	3 Inserts
over 60" wide to 78" wide	4 Inserts
over 78" wide to 96" wide	5 Inserts

SKU	Price
DWSP	\$125 sq ft

- 42" High maximum height.
- Stile and Rail doors only.
- Face and vertical edges finished.
- 3/4" Thick.
- Flush Toe Kick.
- Top rail size is 3", bottom rail size is 6" and stiles are 3".

# FILLERS and PANELS

## Door Applied - Loose



- Flush Finished End needed
- Doors Applied will match door configuration on front of cabinet.

## Door Applied - Wall

SKU	Price
DWP12	68
DWP15	90
DWP18	106
DWP21	337
DWP24	143
DWP30	194
DWP36	213
DWP39	230
DWP42	248
DWP48	273
DWP54	301
DWP57	332
DWP60	366

## Door Applied - Base

SKU	Price
DBP21	337
DBP24	385

## Door Applied - Vanity

SKU	Price
DVP21	300

## Door Applied - Desk

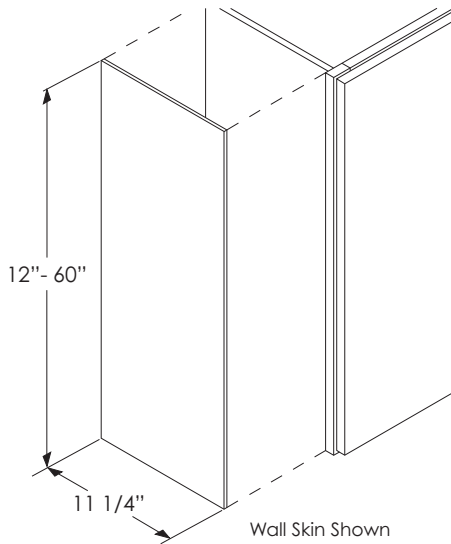
SKU	Price
DDP21	300

## Door Applied - Tall

SKU	Price
DTP8412	525
DTP8424	1,050
DTP9012	525
DTP9024	1,125
DTP9312	525
DTP9324	1,163
DTP9612	525
DTP9624	1,200
DTP10212	850
DTP10224	1,275
DTP10812	850
DTP10824	1,350

# FILLERS and PANELS

## Plywood Skins



### Plywood Skins - Wall

SKU	Price
WES12	33
WES15	33
WES18	33
WES21	34
WES24	35
WES30	36
WES36	40
WES39	50
WES42	50
WES48	58
WES54	67
WES57	78
WES60	90

### Plywood Skin - Base

SKU	Price
BES	82

### Plywood Skin - Vanity

SKU	Price
VES	72

### Plywood Skin - Desk

SKU	Price
DES	60

### Plywood Skins - Tall

SKU	Price
TES8412	172
TES8424	202
TES9012	172
TES9024	202
TES9312	172
TES9324	202
TES9612	172
TES9624	202
TES10212	470
TES10224	500
TES10812	470
TES10824	500







# CABNOVA

## HARDWOOD INTERIOR DESIGN

1342 W Plymouth St  
Bremen, IN 46506

## CUSTOMER CARE

customerservice@hardwoodinterior.com  
574-546-2052

Images in this catalog are for illustration purposes only. Actual colors may vary slightly due to the printing process. For actual color selections, please request a sample. Hardwood Interior Design also reserves the right to change or modify cabinets as part of its ongoing product development.